

Straight Needle Valve Panel Mounting, Tube x Tube, Imperial

Wade

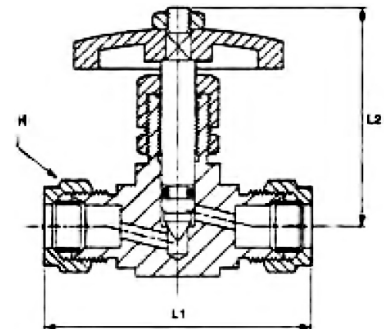


Features & Benefits

- In-line configuration
- Enables connection of two tubes of the same outside diameter
- A simple needle valve of brass construction (with the exception of the handle and nitrile O-rings)
- The design of the valve spindle enables control of the flow medium
- The design incorporates a simple locknut mechanism enabling the valve to be secured and locked in place through a control panel

Designed for low and medium pressure hydraulic and pneumatic applications

- Maximum working pressure:
Hydraulic applications: 3,000 psi / 200 bar
Pneumatic applications: 1,000 psi / 67 bar
- Working temperature range: -40°C to +135°C



Part No	Spindle Type	Tube OD	L1 Length	L2 Length	H Hex A/F	Max Bulkhead	Bulkhead Hole Diameter
WADE-WVA2/B/16	Brass	1/4"	2.125"	1.7"	0.601"	1/8"	0.531"
WADE-WVA2/B/20	Brass	5/16"	2.125"	1.7"	0.601"	1/8"	0.531"