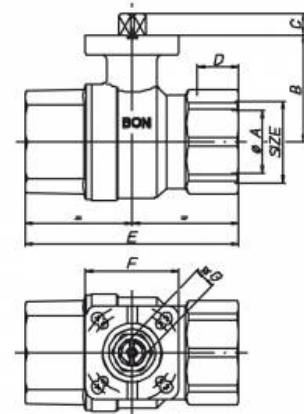
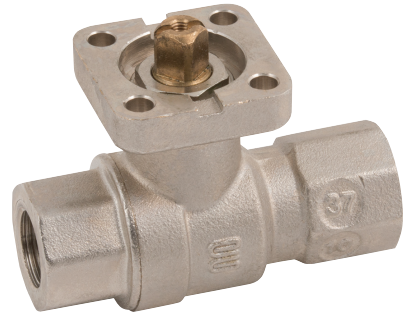


Brass Ball Valve Direct Mount BV1021

Features

- Direct mount to ISO5211
- Body in nickel-plated brass
- BSPP threads
- PTFE seats
- NBR O-rings
- Suitable for domestic water services, heating and air-conditioning plants and compressed air systems
- Working temperature -20°C to +130°C
- 40 bar maximum working pressure



Size	1/4"	3/8"	1/2"	3/4"	1"	1"1/4"	1"1/2"	2"	2"1/2"
øA pass./bore	8	10	15	20	25	32	40	50	63
B mm	38	38	38	40,5	44	55	61,5	73	82,75
C mm	9	9	9	9	9	11	11	14	15,5
D mm	15	15	15	16,3	19,1	21,4	21,4	25,7	30,2
E mm	75	75	75	80	90	110	120	140	155
F mm	37	37	37	37	37	48	48	48	68
øG mm	9	9	9	9	9	11	11	14	14
SW mm	26	26	26	32	41	50	55	70	83
ISO FLANGE	F3	F3	F3	F3	F3/F4	F4/F5	F4/F5	F5	F7
Weight gr.	412	390	342	463	705	1220	1650	2888	3285