

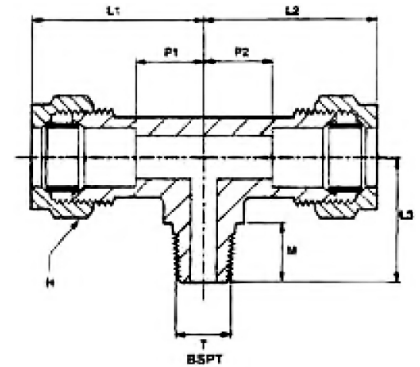
# Male Stud Elbow, BSPT, Imperial

# Wade



## Features & Benefits

- 'T' configuration, in-line tube to tube compression with BSP taper male stud thread on the branch
- Enables in-line connection of two tubes of the same outside diameter to a mating BSP taper or BSP parallel BS21 female threaded port



Part No	Tube OD	Tube OD	T BSPT Male Thread	L1 & L2 Length	L3 Length	H Hex A/F	P1 & P2 Abutment	M Stud Length
WADE-9063/1B	1/4"	1/4"	1/8"	0.812"	0.75"	0.601"	0.375"	0.375"
WADE-9063/B	1/4"	1/4"	1/4"	1"	0.937"	0.601"	0.281"	0.531"
WADE-9068/3B	3/8"	3/8"	1/4"	1.093"	0.812"	0.82"	0.375"	0.531"
WADE-9068/B	3/8"	3/8"	3/8"	1.093"	1.031"	0.82"	0.562"	0.531"