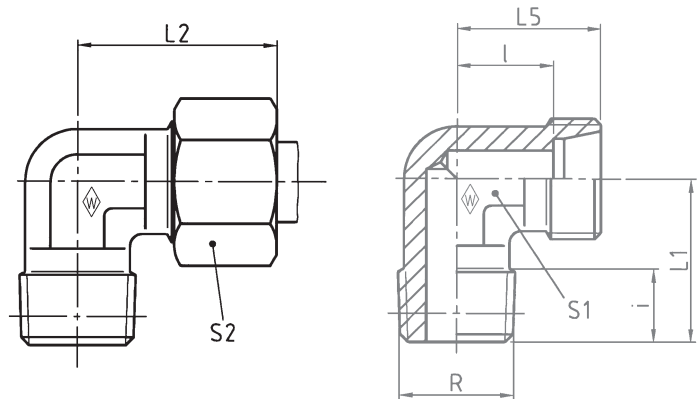


P-WEV RK

Stud thread: BSP thread (taper)
Einschraubgewinde: Whitworth-Rohrgewinde (kegelig)
Filetage mâle: Whitworth (conique)



Series	bar	Tube OD		Type	Reference	kg per 100 pcs.							
Reihe	PN	Rohr-AD	R	Typ	Best.-Nr.	kg per 100 St.	L ₁	L ₂	L ₅	l	i	S ₁	S ₂
Série	(psi)	Tube Ø ext.		Désignation	Réf.	kg par 100 p.							
LL	100 (1450)	4	R 1/8 keg	S-WEV 4 LLRK	WAL038408		17	21	15	11	8	9	10
		6	R 1/8 keg	S-WEV 6 LLRK	WAL038410		17	21	15	9,5	8	9	12
		8	R 1/8 keg	S-WEV 8 LLRK	WAL038411		20	23	17	11,5	8	12	14
L	250 (3626)	6	R 1/8 keg	P-WEV 6 LRK	WAL373195		20	27	19	12	8	12	14
		6	R 1/4 keg	P-WEV 6 L/R 1/4 K	WAL373196		26	29	21	14	12	12	14
		8	R 1/4 keg	P-WEV 8 LRK	WAL373197		26	29	21	14	12	12	17
		10	R 1/4 keg	P-WEV 10 LRK	WAL373198		27	30	22	15	12	14	19
		10	R 3/8 keg	P-WEV 10 L/R 3/8 K	WAL373199		27	30	22	15	12	14	19
		12	R 1/4 keg	P-WEV 12 L/R 1/4 K	WAL373200		28	32	24	17	12	17	22
		12	R 3/8 keg	P-WEV 12 LRK	WAL373201		28	32	24	17	12	17	22
		15	R 1/2 keg	P-WEV 15 LRK	WAL373202	13,0	34	36	28	21	14	19	27
S	160 (2321)	18	R 1/2 keg	P-WEV 18 LRK	WAL373203	16,6	36	40	31	23,5	14	24	32
		6	R 1/4 keg	P-WEV 6 SRK	WAL373204		26	31	23	16	12	12	17
		8	R 1/4 keg	P-WEV 8 SRK	WAL373205		27	32	24	17	12	14	19
		10	R 3/8 keg	P-WEV 10 SRK	WAL373206		28	34	25	17,5	12	17	22
		12	R 3/8 keg	P-WEV 12 SRK	WAL373207		28	38	29	21,5	12	17	24
		14	R 1/2 keg	P-WEV 14 SRK	WAL373208	15,3	32	40	30	22	14	19	27
		400 (5801)	16	R 1/2 keg	P-WEV 16 SRK	WAL373209	17,9	32	43	33	24,5	14	24

L₂ = approximate length with nut tightened
L₂ = Ungefährmaß bei angezogener Überwurfmutter
L₂ = longueur approximative, l'écrou étant bloqué

* PN 630 only applies to taper port forms;
* PN 630 nur bei kegeligen Einschraubblöchern, sonst PN 400
* PN 400 is applicable to parallel port forms
* PN 630 seulement avec taraudage conique, sinon PN 400