




Junction Bars



						DIMENSIONS		
	BDI PART #	TYPE	OUTLETS	INLET	OUTLETS	A	B	C
Junctions Bars	B3109	6 WAY	4	5/16-24 (2)	5/16-24 (4)	36mm	48mm	16mm
	B3254	10 WAY	8	5/16-24 (2)	5/16-24 (8)	66mm	78mm	16mm



5/16-24

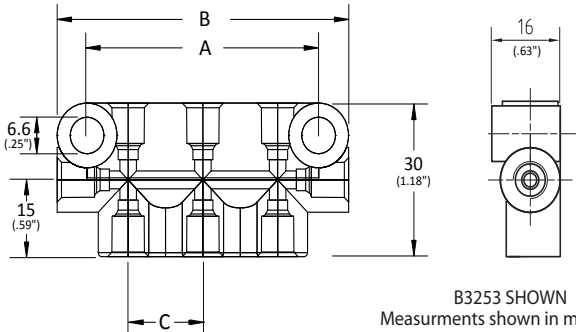
Alum Zinc Die Cast

Double sided

2 Mounting Holes

FJB, FJC, CJB, CJC
QJB, ZJBE

DRAWINGS



B3253 SHOWN
Measurements shown in mm (inches)