

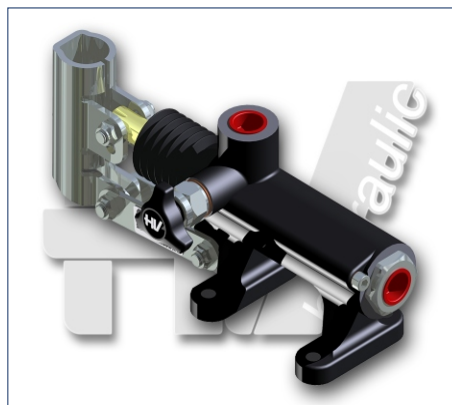
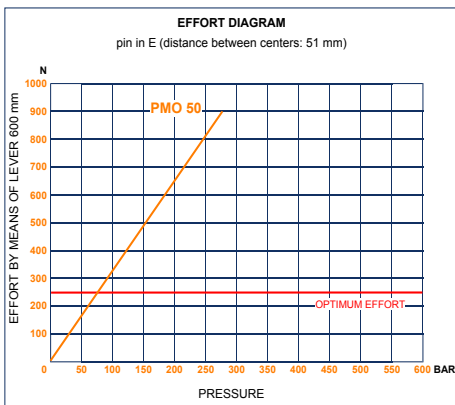
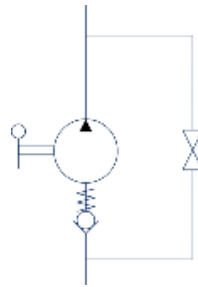
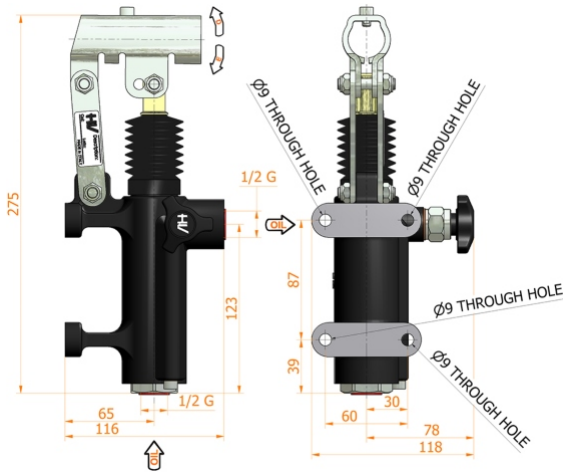
# Hydraulic Hand Pumps

## PMO 50s

with release hand knob double acting hand pump for single acting cylinder for fixing to wall

### Specifications:

- Cast iron body
- Piston treated with Niploy
- White zinc plated support lever
- Lever connection Ø 27
- White zinc plated external parts
- Standard colour black



Displacement cm <sup>3</sup>	A mm	B mm	C mm	D °	E °	Actual Displacement cm <sup>3</sup>	Pressure Bar		Mass kg	Code with Bellows
							Optimal	Max		
50	-	-	-	38	37	43,825	80	280	3,400	HHP-02