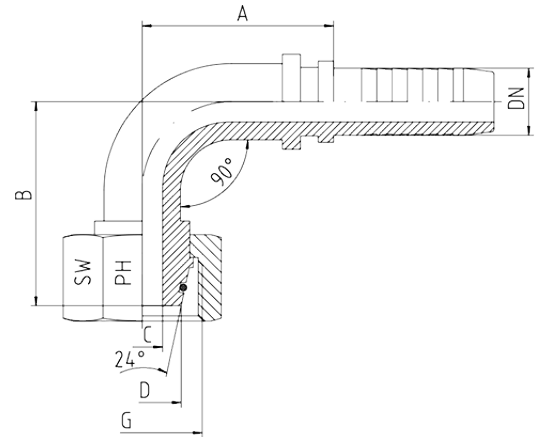


90° Metric Female 24° Cone Seat, L Series with O-Ring DIN 2353



- For fittings with 24° cone and solderless connectors
- DIN 2353 / DIN EN ISO 8434-1
- Light series: DKOL 90°
- O-ring: NBR
- On request: Viton



Hose	Bore	Thread	Tube OD	Approx. Dimensions				Order Code
DN		G	D	A	B	C	SW	
05	3/16"	M12 x 1.5	6	28.0	37.0	3.0	14	DKOL-06-90-DN05
06	1/4"	M12 x 1.5	6	28.0	28.5	4.0	14	DKOL-06-90-DN06
05	3/16"	M14 x 1.5	8	28.0	28.5	3.0	17	DKOL-08-90-DN05
06	1/4"	M14 x 1.5	8	28.5	29.5	4.0	17	DKOL-08-90-DN06
08	5/16"	M14 x 1.5	8	35.0	47.0	4.5	17	DKOL-08-90-DN08
06	1/4"	M16 x 1.5	10	28.5	29.5	4.0	19	DKOL-10-90-DN06
08	5/16"	M16 x 1.5	10	31.5	39.0	5.5	19	DKOL-10-90-DN08
10	3/8"	M16 x 1.5	10	35.0	37.5	7.0	19	DKOL-10-90-DN10
06	1/4"	M18 x 1.5	12	29.0	33.5	4.0	22	DKOL-12-90-DN06
08	5/16"	M18 x 1.5	12	34.5	37.0	5.5	22	DKOL-12-90-DN08
10	3/8"	M18 x 1.5	12	34.0	38.0	7.0	22	DKOL-12-90-DN10
12	1/2"	M18 x 1.5	12	45.0	53.0	8.5	22	DKOL-12-90-DN12
10	3/8"	M22 x 1.5	15	42.5	41.5	7.0	27	DKOL-15-90-DN10
12	1/2"	M22 x 1.5	15	44.0	43.0	9.5	27	DKOL-15-90-DN12
12	1/2"	M26 x 1.5	18	46.5	51.0	9.5	32	DKOL-18-90-DN12
16	5/8"	M26 x 1.5	18	56.0	52.0	12.5	32	DKOL-18-90-DN16
19	3/4"	M26 x 1.5	18	59.0	70.0	13.0	32	DKOL-18-90-DN19
16	5/8"	M30 x 2	22	57.0	63.5	12.0	36	DKOL-22-90-DN16
19	3/4"	M30 x 2	22	61.0	58.0	14.5	36	DKOL-22-90-DN19
19	3/4"	M36 x 2	28	70.0	62.5	14.5	41	DKOL-28-90-DN19
25	1"	M36 x 2	28	82.0	70.0	20.0	41	DKOL-28-90-DN25
31	1.1/4"	M45 x 2	35	87.0	85.0	25.0	50	DKOL-35-90-DN31
38	1.1/2"	M45 x 2	35	105.0	114.0	28.0	50	DKOL-35-90-DN38
38	1.1/2"	M52 x 2	42	104.0	103.0	31.0	60	DKOL-42-90-DN38