

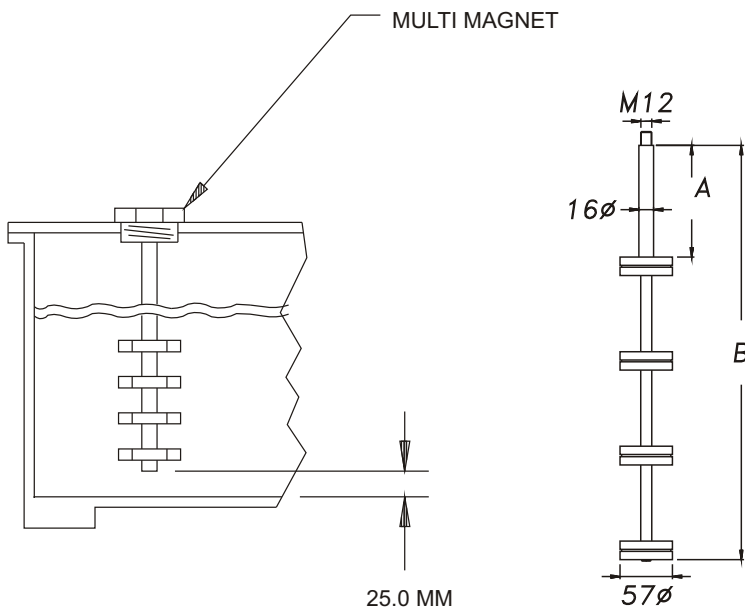


# Reservoir Accessories

## Magnetic Tank Cleaner - MTC

**Specification:**

- No moving parts
- Decreases wear on pump/valves etc
- Eliminates troublesome ferrous fines
- Keep hydraulic oils cleaner
- Easily removed without downtime or loss of oil
- Improved performance when used with diffuser
- Exceptionally efficient large ceramic magnets



Typical Installation

MODEL	A	B	MAGNETS	WT KGS
<b>MTC-300</b>	70	300	3	0.80
<b>MTC-450</b>	125	450	4	0.95
<b>MTC-525</b>	200	525	4	1.05
<b>MTC-600</b>	275	600	4	1.15

DIMENSIONS IN MM FOR REFERENCE ONLY