

Mountable High Pressure Water Steel Hose Reel

CONAH



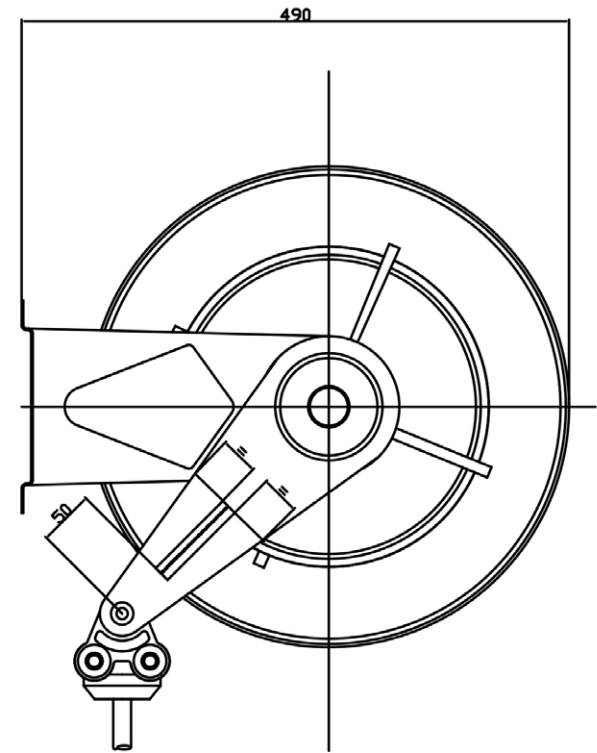
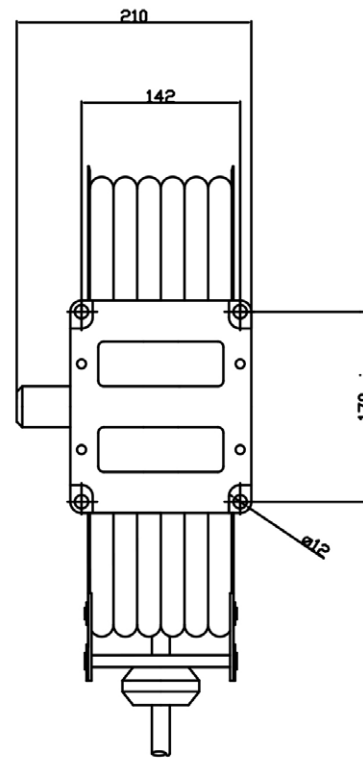
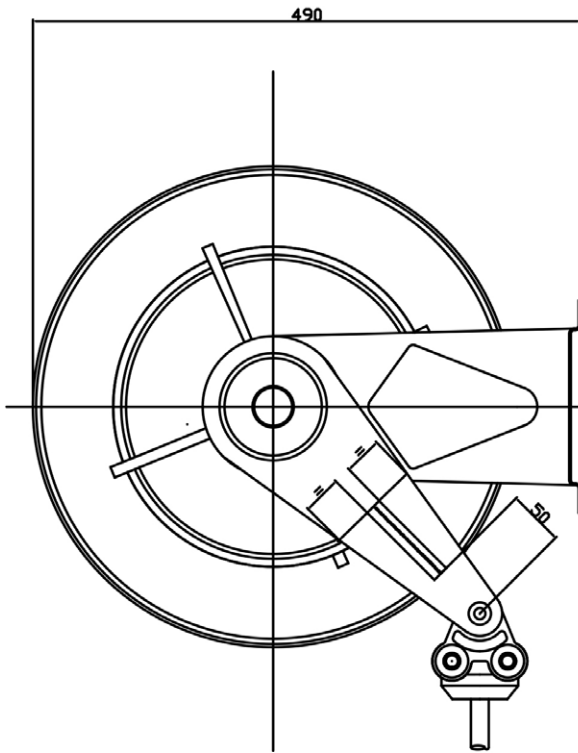
Features

- Heavy duty steel construction
- Corrosion-resistant powder coating
- Robust reinforced base construction
- Four-direction non-snag rollers
- Multi-position ratchet lock
- Spring fully enclosed and lubricated
- Full flow swivel prevents leakage
- Nine position guide arm adjustment

Benefits

- Long lasting
- Used in most environments
- Stable support
- Reduces hose wear
- Easy tension adjustment
- Low maintenance
- Versatile usage
- Permits wall, ceiling or floor mount

High Pressure Water Hose Reel	
SWHR-15-38SB122K	
Hose material	1 wire rubber
Hose working length	15m
Hose internal bore	3/8"
Inlet	3/8" BSP female
Outlet	M22 x 1.5 female
Maximum working pressure	150 bar (2,175 psi)
Working temperature	-40°C to +155°C



UNLESS OTHERWISE STATED		NAME	DATE	TITLE
DIMENSIONS IN MM	DRAWN	DB	27032013	CONAH HOSE REEL
TOLERANCES	CHECKED			
FRACTIONAL +/- 0.10	ENG APP			
2 DECIMAL PLACES +/- 0.1	MFG APP			SIZE DWG NO
MATERIAL		GA		A SWHR-15-38
COMMENTS				
SCALE 1:1		WEIGHT		SHEET 1 OF 1