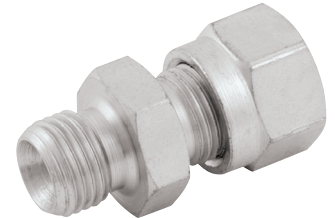
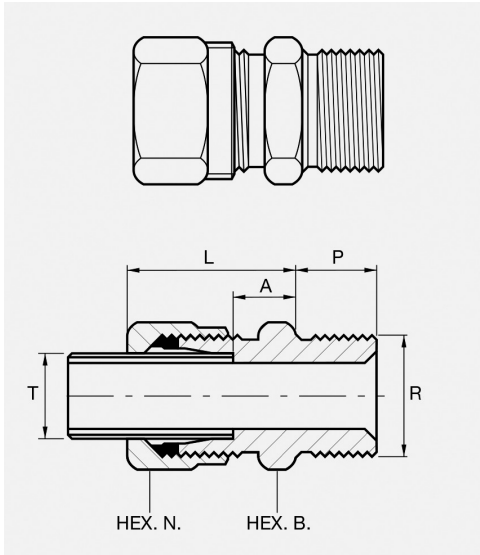


# Hydraulic Imperial Compression Fittings



## Steel Fittings for O.D.



BSPP Male Stud Coupling O.D. Tube								
Supplier Part Number	Customer Part Numbers	T	R	N	B	A	P	L
MC4-2	2018-7563	1/4"	1/8"	.710"	.625"	9/32"	3/8"	31/32"
MC4-4	2018-7571	1/4"	1/4"	.710"	.710"	9/32"	7/16"	31/32"
MC4-6	2018-7589	1/4"	3/8"	.710"	.920"	11/32"	1/2"	1.1/32"
MC6-4	2018-7597	3/8"	1/4"	.820"	.710"	5/16"	7/16"	1.1/32"
MC6-6	2018-7605	3/8"	3/8"	.820"	.920"	3/8"	1/2"	1.3/32"
MC6-8	2018-7613	3/8"	1/2"	.820"	1.10"	7/16"	5/8"	1.5/32"
MC8-4	2018-7621	1/2"	1/4"	.920"	.820"	11/32"	7/16"	1.3/32"
MC8-6	2018-7639	1/2"	1/4"	.920"	.820"	13/32"	1/2"	1.5/32"
MC8-8	2018-7647	1/2"	1/2"	.920"	1.10"	15/32"	5/8"	1.7/32"
MC8-12	2018-7654	1/2"	3/4"	1.10"	1.30"	19/32"	3/4"	1.11/32"
MC10-8	2018-7662	5/8"	1/2"	1.10"	1.10"	7/16"	5/8"	1.7/32"
MC10-12	2018-7670	5/8"	3/4"	1.10"	1.30"	9/16"	3/4"	1.11/32"
MC12-8	2018-7688	3/4"	1"	1.20"	1.10"	7/16"	5/8"	1.1/4"
MC12-12	2018-7696	3/4"	3/4"	1.20"	1.30"	9/16"	3/4"	1.3/8"
MC14-12	2018-7704	7/8"	1"	1.375"	1.30"	1/2"	3/4"	1.3/8"
MC16-12	2018-7712	1"	3/4"	1.67"	1.48"	19/32"	3/4"	1.17/32"
MC16-16	2018-7720	1"	1"	1.67"	1.67"	21/32"	7/8"	1.19/32"
MC16-20	2018-7738	1"	1.1/4"	1.67"	2.05"	23/32"	1"	1.21/32"
MC20-16	2018-7746	1.1/4"	1"	2.05"	1.67"	3/4"	7/8"	1.23/32"
MC20-20	2018-7753	1.1/4"	1.1/4"	2.05"	2.05"	13/16"	1"	1.25/32"
MC20-24	2018-7761	1.1/4"	1.1/2"	2.05"	2.22"	7/8"	1"	1.27/32"
MC24-20	2018-7779	1.1/2"	1.1/4"	2.22"	2.05"	13/16"	1"	1.7/8"
MC24-24	2018-7787	1.1/2"	1.1/2"	2.22"	2.22"	7/8"	1"	1.15/16"