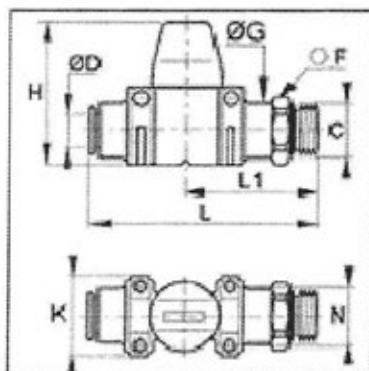


## 7911 - 2/2 MALE BSP PARALLEL THREAD & PUSH-IN CONNECTION



Opening/closing.  
Compact and light weight, suitable for all types of installations thanks to the 3 types of mounting available.

Poster - Pneumatic function fittings

<b>maximum working pressure</b>	10 bar 1 MPa 145 psi
<b>working temperature</b>	-20 to 80 °C -4 to 176 °F 253 to 353 °K
<b>body</b>	TECHNICAL POLYMER
<b>sub-base</b>	NICKEL PLATED BRASS
<b>stem</b>	BRASS
<b>stem seal</b>	NBR
<b>'O'-rings</b>	NBR
<b>handle</b>	TECHNICAL POLYMER
<b>gripping ring</b>	STAINLESS STEEL

Part No	ØD (MM)	C	F (mm)	ØG (mm)	H (mm)	K (mm)	L (mm)	L1 (mm)	N (mm)
LE-7911 06 10	6	G1/8	13	14	37	22	62	37	16
LE-7911 08 13	8	G1/4	16	17.5	37	22	61	35	16
LE-7911 10 17	10	G3/8	20	22	43	30	74	41	22
LE-7911 12 21	12	G1/2	24	26	43	30	75	42	22