

AIR PREPARATION



Installation & Application Data

- 1 Before installing check components have not been damaged during transportation.
- 2 Check flow direction and thread type are correct.
- 3 Please note whether the installation conditions meet the technical requirements (such as working pressure & applied temperature range).
- 4 Use compressed air only.
- 5 Clean or change filter element regularly.
- 6 When the unit is dismantled use port plugs to stop dirt ingress into the unit.

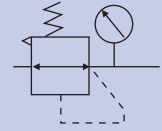
AIR PREPARATION REGULATOR



Specification

Model	KRS200-06	KRS200-08	KRS300-08	KRS300-10	KRS300-15	KRS400-10	KRS400-15	KRS600-20	KRS600-25
Fluid	Air								
Port	1/8"	1/4"	1/4"	3/8"	1/2"	3/8"	1/2"	3/4"	1"
Pressure Range	0.05-0.9MPa (20 - 130psi)								
Proof Pressure	1.5 MPa (215psi)								
Temperature	-5 to +60°C								
Weight	160g		350g			720g		1700g	

Symbol



Ordering Code

KRS200 — 08 — — F 3 —

Model: FRS200 : 200 Regulator
FRS300 : 300 Regulator
FRS400 : 400 Regulator
FRS600 : 600 Regulator

Port size: 06 : 1/8", 08 : 1/4", 10 : 3/8", 15 : 1/2", 20 : 3/4", 25 : 1"

Accessories: Blank : Bracket, J : No bracket

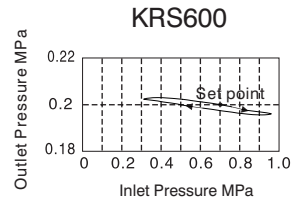
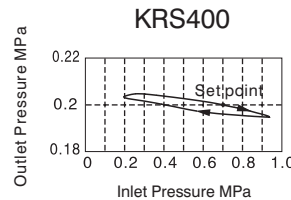
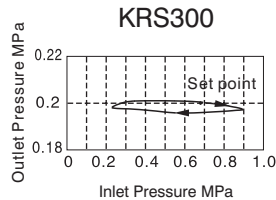
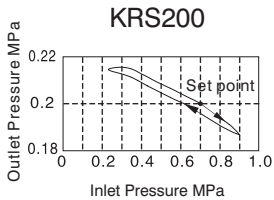
Thread: P : PT, T : NPT, Blank : BSPP

Gauge: F 3 : Square bar

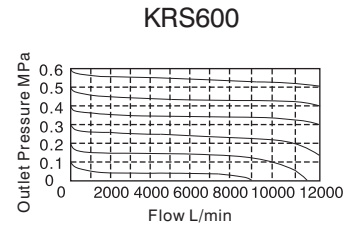
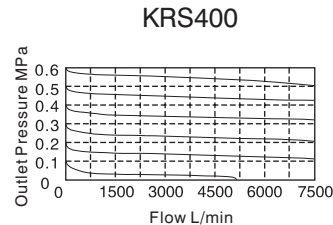
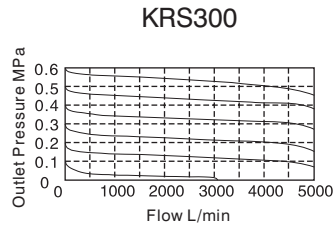
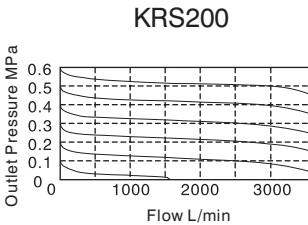
Product Features

- 1 Embedded square pressure gauge is used to save installation space (External round pressure gauge is also an option).
- 2 Self locking adjustment prevents accidental adjustment.
- 3 Pressure adjustment mechanism is of balanced design.
- 4 Regulator can be panel mounted or wall mounted with optional bracket.
- 5 Optional lower pressure type is available (Highest adjustable pressure is 0.4MPa).

Pressure Charts



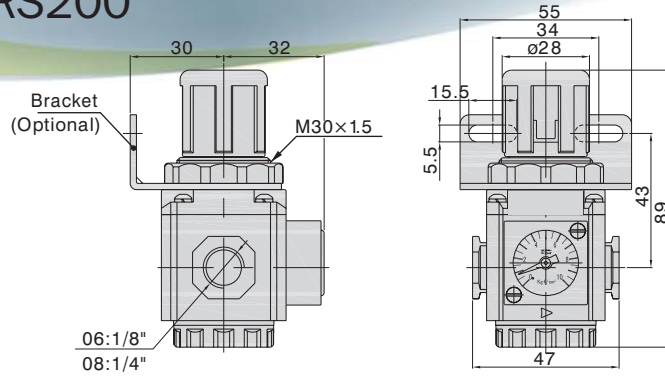
Flow Charts (Inlet Pressure 0.7MPa)



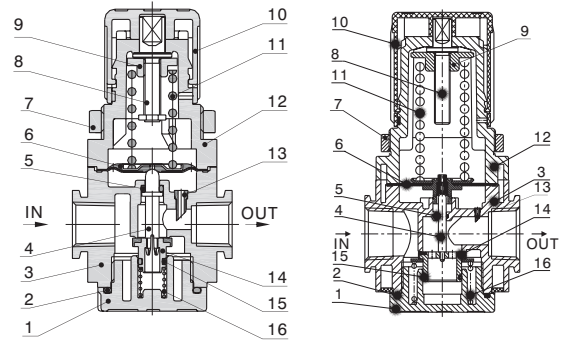
AIR PREPARATION REGULATOR

Dimensions

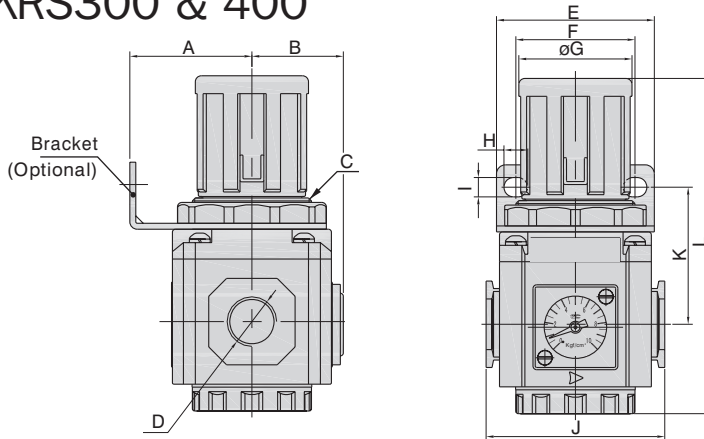
KRS200



Inner Structure



KRS300 & 400



No.	Item	Material
1	Valve Cap	Aluminum Alloy
2	O-ring	NBR
3	Body	Aluminum Alloy
4	Spool	Brass (600) POM (200/300/400)
5	O-ring	NBR
6	Diaphragm	SUS304 & Rubber
7	Fixed Ring	Aluminum Alloy (600) POM (200/300/400)
8	Adjusting Spindle	Steel
9	Regulator Nut	Steel
10	Pressure Knob	POM
11	Pressure Spring	SW C
12	Adjusting Seat	Aluminum Alloy (600) POM (200/300/400)
13	Feed Back Tube	POM
14	Pressure Plug	Brass & Rubber
15	O-ring	NBR
16	Spring	Stainless Steel

Model/Item	A	B	C	D	E	F	G	H	I	J	K	L
KRS300-08	41	31	M40 x 1.5	1/4"	53	40	38	8	6.5	60	46	112.5
KRS300-10	41	31	M40 x 1.5	3/8"	53	40	38	8	6.5	60	46	112.5
KRS300-15	41	31	M40 x 1.5	1/2"	53	40	38	8	6.5	60	46	112.5
KRS400-10	50	40	M55 x 2.0	3/8"	72	55	52	11	8.5	80	53	140.5
KRS400-15	50	40	M55 x 2.0	1/2"	72	55	52	11	8.5	80	53	140.5

KRS600

