

Pump VB-B



APPLICATION

The lubrication pump type VB-B are reservoir pumps with a single-action plunger operated by a hand lever. The lubricant reservoir has a capacity of 1; 1.6 or 4 litre.

Pump of type VB-B are intended for grease and semifluid grease. Type VB-B grease lubrication pumps a anti-cavitation plate with a level indicator projecting through the reservoir cover.

When the hand lever is in the pressure release position, the delivery out let is conneted to the pumps suction compartment. The pump can be used as a filling pump, or it can be used for single-line, dual-line or progressive systems. When used for dual-line systems, a 4/2-way valve available as an accessory, must be screwed into the delivery connection. In systems, which do not require de-pressurisation (progressive systems, filling and greasing systems), de-pressurisation can be prevented by installing a non-return valve in the main delivery line.



Pump VB-B with 4 liters reservoir for grease and 4/2-way valve for dual-line units

PRODUCT CHARACTERISTICS

- With follower piston and optical contents indication
- Discharge pressure max. 120 bar
- Lubricant: grease, liquid grease
- Surface signal grey RAL 7004

FUNCTION

There are three positions for the hand lever, P, P1 and R. Moving the hand lever from P1 to P pumps the lubricant through valve to the outlet. When the hand lever is moved in the opposite direction from P to P1, the suction stroke takes place. The lever can be moved on past the notch at position P1 into the position R, in which the pumps delivery and suction compartment are connected to one another.

Within the pump body, the drive shaft operates the cam which in turn moves the delivery plungers axially. The space in front of the delivery plunger is connected alternately with the pumps suction chamber and, via valve, with the delivery outlet. The indicator unit shows when the maximum delivery pressure has been reached; it operates at the same time as the relief valve, and when the maximum pressure is exceeded it connects the pumps delivery compartment to the reservoir. The screw is used to bleed the pump at start-up.

A. PUMP TYPE	Code
---------------------	-------------

VBB

B. NUMBER OF OUTLETS	Code
-----------------------------	-------------

1 outlets

01

C. REVISION	Code
--------------------	-------------

Status A

A

D. KINDS OF DRIVE	Code
--------------------------	-------------

Hand lever

01

E. POSITION OF DRIVE	Code
-----------------------------	-------------

without

0

F. RESERVOIR	Code
---------------------	-------------

1.0 liters for grease

A

1.6 liters for grease

C

4.0 liters for grease

B



1 liters



1,6 liters



4 liters

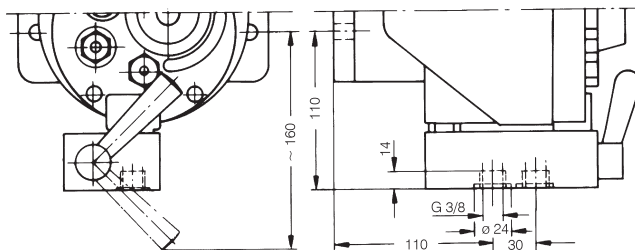
G. ACCESSORIES	Code
-----------------------	-------------

without

00

4/2-way valve for dual-line units (only 4 liters reservoir)

01



Pump with 4/2-way valve fitted for dual-line units

EXAMPLE OF ORDER

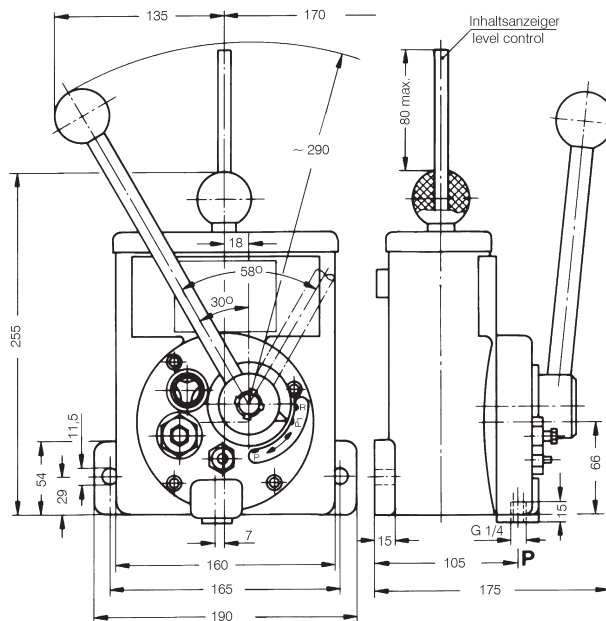
Code											
V	B	B	0	1	A	0	1	O	B	0	1

Pump type VB-B	Code: VBB	
Number of outlets 1 outlet	Code: 01	
Revision Stutus A	Code: A	
Kinds of drive Hand lever	Code: 01	
Position of drive without	Code: O	
Reservoir 4 liters	Code: B	
Accessories 4/2-way valve for dual-line units	Code: 01	

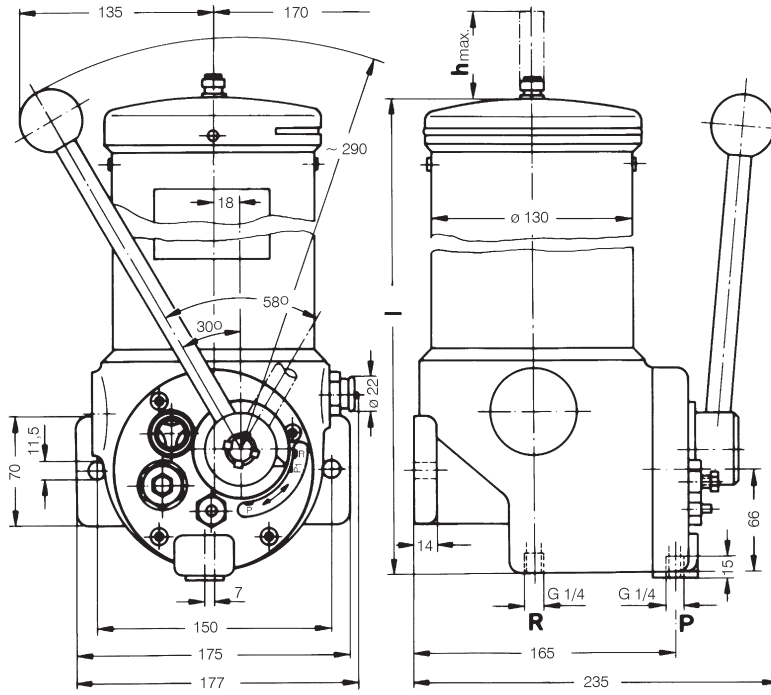
SPECIFICATION

Discharge pressure : _____ max. 120 bar
 Output volume per stroke : _____ 2 cm³
 Reservoir capacity : _____ 1; 1.6 or 4 liters
 Usable lubricants : _____ up to consistency class 2 and a worked penetration exceeding 265
 Service temperature : _____ - 20 °C bis + 70 °C
 Installation position : _____ vertical
 Fixing : _____ 2 screwes M 10 x 30
 Filling valve : _____ flat lubrication nipple AM 16 x 1.5 DIN 3404
 Filter screen mesh : _____ wire mesh 0.4 x 0.18 DIN 4189 - Cu Zn 37

Pump with 1 liters reservoir



SPECIFICATION (continued)



Reservoir	l	h
1.6 litres	300 mm	140 mm
4.0 liters	495 mm	335 mm

Pump with 1.6 and 4 liters reservoir