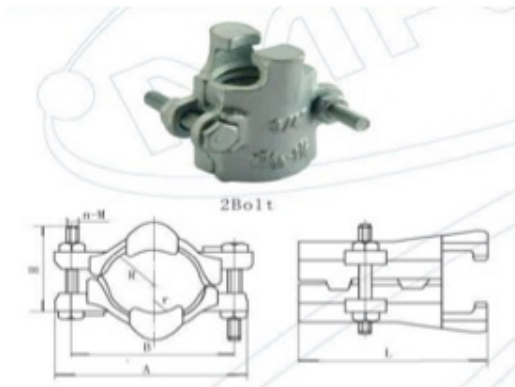


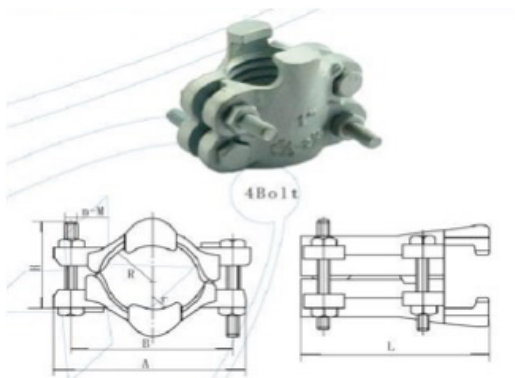
Clamps, Nuts & Bolts



Heavy Duty, 2 & 4 Bolt Clamps



| Part No | Size | To Suit Hose O.D | | A | B | L | R | r | n | M | H |
|-----------|------|------------------|-------|----|----|----|------|----|---|---|----|
| | | in | mm | | | | | | | | |
| SBC-12 | 1/2" | 1/16-1.1/16 | 24-27 | 58 | 39 | 44 | 13 | 9 | 2 | 8 | 35 |
| 2052-9228 | 1/2" | 1.1/16-1.3/16 | 27-30 | 60 | 41 | 44 | 14.5 | 9 | 2 | 8 | 35 |
| SBC-34 | 3/4" | 1.3/16-1.5/16 | 30-33 | 69 | 50 | 65 | 16 | 12 | 2 | 8 | 45 |
| 2052-9236 | 3/4" | 1.5/16-1.1/2 | 33-38 | 73 | 54 | 65 | 18.5 | 12 | 2 | 8 | 45 |
| 2052-9244 | 3/4" | 1.1/2-1.11/16 | 38-43 | 79 | 60 | 77 | 21 | 14 | 2 | 8 | 60 |



| Part No | Size | To Suit Hose O.D | | A | B | L | R | r | n | M | H |
|-----------|--------|------------------|--------|-----|-----|-----|------|----|---|----|-----|
| | | in | mm | | | | | | | | |
| SBC-1 | 1" | 1.17/32-1.23/32 | 39-44 | 84 | 61 | 77 | 21 | 15 | 4 | 10 | 60 |
| 2052-9251 | 1" | 1.11/16-1.27/32 | 43-47 | 88 | 65 | 77 | 23 | 15 | 4 | 10 | 60 |
| 2052-9269 | 1" | 1.7/8-2.1/16 | 48-52 | 90 | 67 | 77 | 25.5 | 15 | 4 | 10 | 60 |
| 2052-9277 | 1.1/4" | 2.1/16-2.1/4 | 52-57 | 106 | 78 | 87 | 28 | 20 | 4 | 12 | 75 |
| 2052-9285 | 1.1/2" | 2.3/32-2.9/32 | 53-58 | 106 | 78 | 95 | 28.5 | 23 | 4 | 12 | 75 |
| SBC-2 | 2" | 2.1/2-2.25/32 | 64-71 | 123 | 95 | 98 | 34.5 | 30 | 4 | 12 | 75 |
| 2052-9293 | 2.1/2" | 3.1/2-3.15/16 | 89-100 | 165 | 130 | 120 | 49.5 | 39 | 4 | 16 | 130 |