

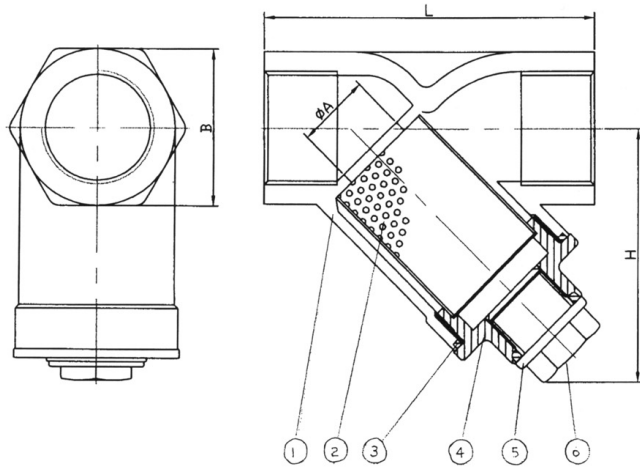
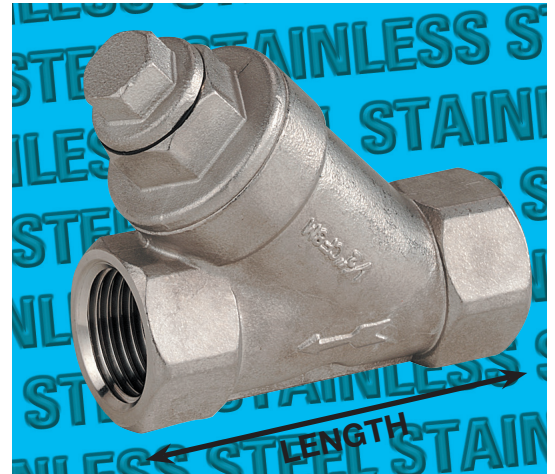
316 Stainless Steel 'Y' Strainers



 Working Temperature: +100°C

 Working Pressure: 800 psi

BSPP		
PART NUMBER	THREAD	LENGTH
2019-3953	1/4"	65
2019-3960	3/8"	65
2019-3967	1/2"	65
2019-3975	3/4"	80
2019-3983	1"	90
2019-3991	1.1/4"	105
2019-4031	1.1/2"	120
2019-4049	2"	140



BSPP			
Number	Part Name	Specification	Qty
1	Body	ASTM A-351 GR.CF8M	1
2	Screen	12MESH	1
3	Gasket Pacting	PTFE	1
4	Bonnet	ASTM A-351 GR.CF8M	1
5	Plug Gasket	PTFE	1
6	Plug	ASTM A-351 GR.CF8M	1

SIZE	A	B	H	L
1/4"	11	23	46	65
3/8"	13	23	46	65
1/2"	15	26	46	65
3/4"	20	32	55	80
1"	25	41	70	90
1.1/4"	32	49	73	105
1.1/2"	38	56	81	120
2"	50	69	94	140
2.1/2"	65	87	120	170
3"	80	102	140	200