

ATEX Approved: Cable Reels



Grounding Reels

Grounding/Bonding reels are used to ground equipment operating in hazardous / explosive atmospheres. When properly clamped to ground, the units dissipate static build up, reducing the risk of sparking and the potential for explosion. The 535 series come in various configurations, with the choice of either Copper or Steel cable with various working lengths. The most popular units come with 50A clamps as standard with the option of 100A on request.

Applications

-  GROUNDING
-  STATIC DISCHARGE

Typical Applications Include:

- Tankers
- Oil Refineries
- Aviation
- Refuelling Stations
- High Explosive Risk areas

Features and Benefits

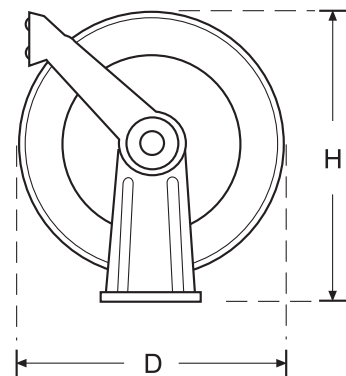
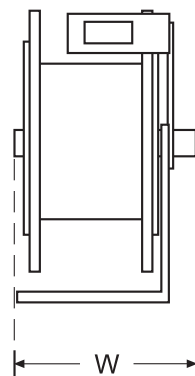
- Constructed in heavy duty, powder coated Mild Steel
- Fully automatic spring rewind
- Wall, floor or ceiling mount options
- Full width roller guide as standard
- Single pedestal design
- ATEX II certified
- Latching of cable at various lengths
- Slotted mounting holes for easy installation
- Positive latching mechanism
- Adjustable cable stop
- Supplied with fitted cable
- 5 year manufacturer's warranty*

*Excludes seals and hose assemblies



In accordance with ATEX See table below for specific approval information 

5 YEAR MANUFACTURER'S WARRANTY



Product Code	Cable Material	Insulation	Cable Cross Section mm ²	Cable Length m	Grounding Clamp	ATEX Approval
HR-535131-60141	Copper	PUR	6	14.5	Anti-explosive 10A	ATEX 94/9/EC II (3) 2/3 GD
HR-535131-60261	Copper	PUR	6	26	Anti-explosive 10A	ATEX 94/9/EC II (3) 2/3 GD
HR-535131-60152	Copper	PUR	6	15	Standard 50A	ATEX 94/9/EC II (3) 3 GD
HR-535131-60252	Copper	PUR	6	25	Standard 50A	ATEX 94/9/EC II (3) 3 GD
HR-535141-60152	Steel	PVC	7x7 o 5	15	Standard 50A	ATEX 94/9/EC II (3) 3 GD
HR-535141-60252	Steel	PVC	7x7 o 5	25	Standard 50A	ATEX 94/9/EC II (3) 3 GD