

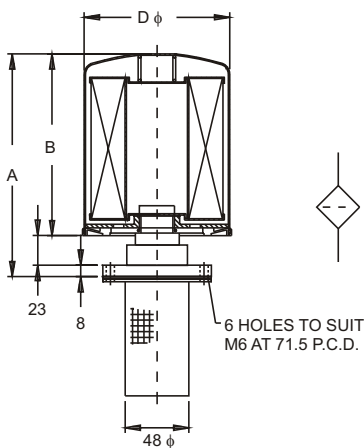


Reservoir Accessories

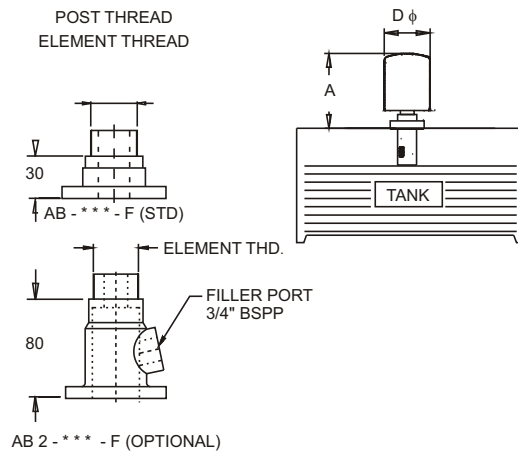
Breather - Spin on - GTB

Specification:

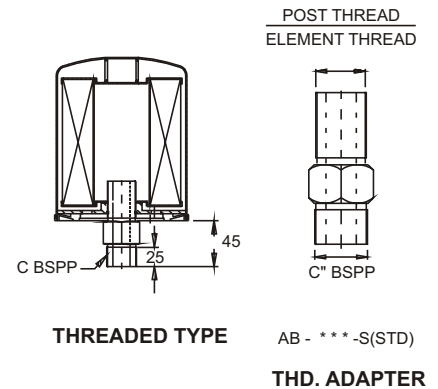
- Easily Replaceable spin on element
- Cast aluminium housing
- Excellent alternative to standard breather
- Mounts on standard 71.5 mm P.C.D.
- Flange and screw type mounting
- Filtration to 10 & 25 micron level
- For dusty ambient condition e.g. mining, construction etc



FLANGE TYPE



FLANGE ADAPTER



THREADED TYPE

MODEL	AIR FLOW	FILTRATION			C	D f	WT KGS
	LPM	μ MICRONS	A	B	IN.BSPP		
GTB-12-10	1500	10	177	146	3/4"	96	1.00
GTB-12-25	2000	25	177	146	3/4"	96	1.00
GTB-20-10	2600	10	211	180	1 - 1/4"	129	1.60
GTB-20-10	3000	25	211	180	1 - 1/4"	129	1.60

Dimensions in mm for reference only