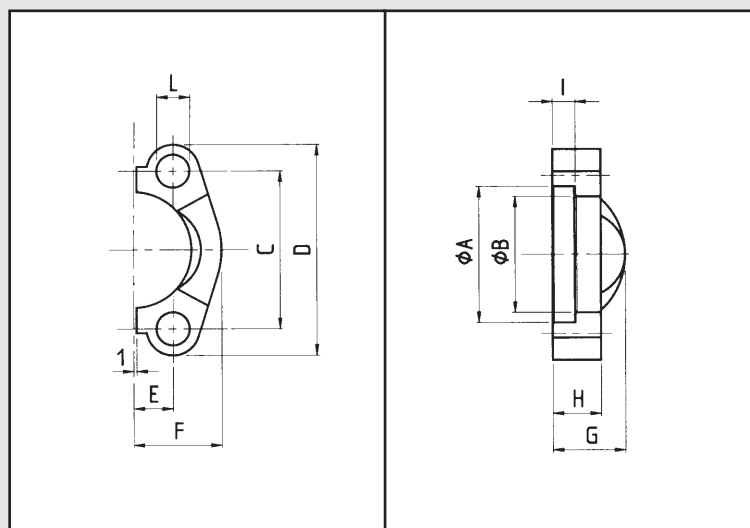


|  |                               |
|--|-------------------------------|
| <b>Bestellbezeichnung:</b><br>Ordering code: | <b>S355J2G3 1.4404</b><br>C45 |
| • nur Flansch<br>flange only                 | FH-... FH-X-...               |



Material: 1. S355J2G3 C45 Oberfläche: gal. verzinkt, gelb chromatiert  
surface: zinc plated, yellow chromated

2. 1.4404 316L rostfrei  
stainless

| maximaler Betriebsdruck<br>kg/cm <sup>2</sup>              |      | S.A.E.<br>Baugröße      | Typ   | Abmessungen |        |        |     |       |      |    |    |       |       | Schrauben |              | Gewicht<br>kg. |
|--|------|-------------------------|---|-------------|--------|--------|-----|-------|------|----|----|-------|-------|-----------|--------------|----------------|
| maximum recommended working pressure<br>kg/cm <sup>2</sup> |      | nominal flange size, in | type  | dimensions  |        |        |     |       |      |    |    |       |       | bolts     |              | weight<br>kg.  |
| Schraube<br>Festigkeitsklasse                              |      |                         |   | A           | B      | C      | D   | E     | F    | G  | H  | I     | L     | metr.     | unc          |                |
| 8.8  | 10.9 |                         |   |             |        |        |     |       |      |    |    |       |       |           |              |                |
|  |      |                         | <b>Standarddruckreihe</b><br><b>Standard pressure</b> |             |        |        |     |       |      |    |    |       |       |           |              |                |
| 350  | 350  | 1/2"                    | FH 3001   | 30,96       | 24,26  | 38,10  | 54  | 8,74  | 22,8 | 19 | 13 | 6,22  | 8,75  | M 8x25    | 5/16 x 1 1/4 | 0,07           |
| 350  | 350  | 3/4"                    | FH 3002   | 38,89       | 32,13  | 47,63  | 65  | 11,13 | 25,9 | 22 | 14 | 6,22  | 10,75 | M 10x30   | 3/8 x 1 1/4  | 0,09           |
| 250  | 315  | 1"                      | FH 3003   | 45,24       | 38,48  | 52,37  | 70  | 13,08 | 29,2 | 24 | 16 | 7,49  | 10,75 | M 10x30   | 3/8 x 1 1/4  | 0,11           |
| 200  | 250  | 1 1/4"                  | FH 3004   | 51,59       | 43,69  | 58,72  | 79  | 15,09 | 36,3 | 22 | 16 | 7,49  | 12,00 | M 10x30   | 7/16 x 1 1/2 | 0,15           |
| 200  | 250  | 1 1/4"                  | FH 3014   | 51,59       | 43,69  | 58,72  | 79  | 15,09 | 36,3 | 22 | 16 | 7,49  | 10,75 | M 10x30   | -            | 0,15           |
| 200  | 250  | 1 1/4"                  | FH 3044   | 51,59       | 43,69  | 58,72  | 79  | 15,09 | 36,3 | 22 | 16 | 7,49  | 12,75 | M 12x35   | -            | 0,15           |
| 200  | 200  | 1 1/2"                  | FH 3005   | 61,09       | 50,80  | 69,85  | 94  | 17,86 | 41,1 | 25 | 16 | 7,49  | 13,50 | M 12x35   | 1/2 x 1 1/2  | 0,23           |
| 160  | 200  | 2"                      | FH 3006   | 72,24       | 62,74  | 77,77  | 102 | 21,44 | 48,2 | 26 | 16 | 9,02  | 13,50 | M 12x35   | 1/2 x 1 1/2  | 0,25           |
| 100  | 160  | 2 1/2"                  | FH 3007   | 84,94       | 74,93  | 88,90  | 114 | 25,40 | 54,1 | 38 | 19 | 9,02  | 13,50 | M 12x40   | 1/2 x 1 1/2  | 0,37           |
| 100  | 160  | 3"                      | FH 3008   | 102,39      | 90,93  | 106,38 | 135 | 30,96 | 65,3 | 41 | 22 | 9,02  | 17,00 | M 16x50   | 5/8 x 2      | 0,65           |
| 35   | 35   | 3 1/2"                  | FH 3009   | 115,10      | 102,36 | 120,65 | 152 | 34,92 | 69,5 | 28 | 22 | 10,72 | 17,00 | M 16x50   | 5/8 x 2      | 0,75           |
| 35   | 35   | 4"                      | FH 3010   | 127,79      | 115,06 | 130,18 | 162 | 38,88 | 76,0 | 35 | 25 | 10,72 | 17,00 | M 16x50   | 5/8 x 2      | 0,84           |
| 35   | 35   | 5"                      | FH 3011   | 153,19      | 140,46 | 152,40 | 184 | 46,04 | 90,0 | 41 | 28 | 10,72 | 17,00 | M 16x55   | 5/8 x 2      | 1,25           |
|  |      |                         | <b>Hochdruckreihe</b><br><b>High pressure</b>         |             |        |        |     |       |      |    |    |       |       |           |              |                |
|  |      | 1/2"                    | FH 6001   | 32,54       | 24,64  | 40,49  | 56  | 9,12  | 23,6 | 22 | 16 | 7,24  | 8,75  | M 8x30    | 5/16 x 1 1/4 | 0,08           |
|  |      | 3/4"                    | FH 6002   | 42,06       | 32,51  | 50,80  | 71  | 11,91 | 30,0 | 28 | 19 | 8,26  | 10,75 | M 10x35   | 3/8 x 1 1/2  | 0,18           |
|  |      | 1"                      | FH 6003   | 48,41       | 38,86  | 57,17  | 81  | 13,89 | 34,8 | 33 | 24 | 9,02  | 13,00 | M 12x45   | -            | 0,27           |
|  |      | 1"                      | FH 6013   | 48,41       | 38,86  | 57,15  | 81  | 13,89 | 34,8 | 33 | 24 | 9,02  | 12,00 | -         | 7/16 x 1 1/4 | 0,27           |
|  |      | 1 1/4"                  | FH 6004   | 54,76       | 44,45  | 66,68  | 95  | 15,88 | 38,6 | 38 | 27 | 9,78  | 14,75 | M 14x45   | -            | 0,40           |
|  |      | 1 1/4"                  | FH 6044   | 54,76       | 44,45  | 66,68  | 95  | 15,88 | 38,6 | 38 | 27 | 9,78  | 13,50 | -         | 1/2 x 1 3/4  | 0,40           |
|  |      | 1 1/2"                  | FH 6005   | 64,29       | 51,56  | 79,38  | 113 | 18,26 | 47,5 | 43 | 30 | 12,07 | 17,00 | M 16x55   | 5/8 x 2      | 0,68           |
|  |      | 2"                      | FH 6006   | 80,16       | 67,56  | 96,82  | 133 | 22,23 | 56,9 | 52 | 37 | 12,07 | 21,00 | M 20x70   | 3/4 x 2 1/2  | 1,05           |