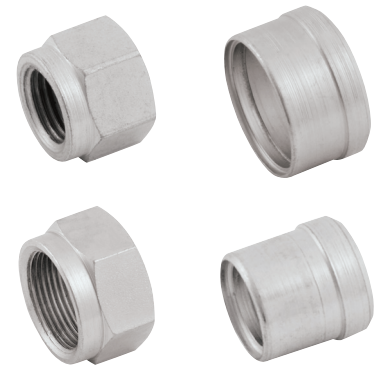
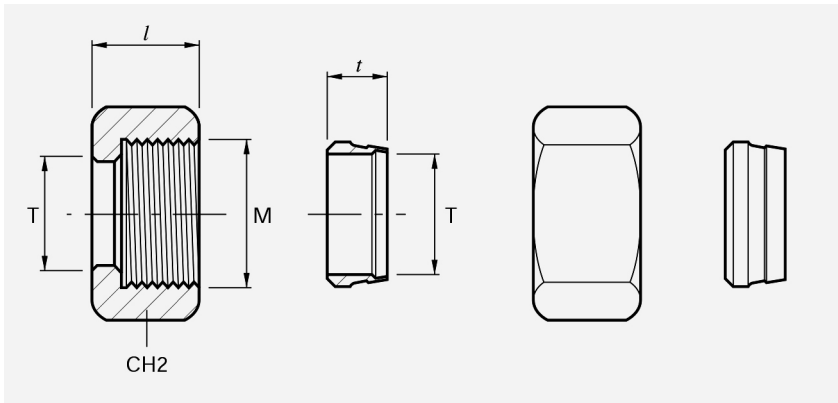


Hydraulic Imperial Compression Fittings



O.D. TUBES

Nut Part No.	$\varnothing T$	l	M	CH2	Ferrule Part No.	t
2018-6318	1/4"	0.578"	0.514" X 20	0.710"	2018-6417	0.360"
2018-6334	3/8"	0.625"	0.639" X 20	0.820"	2018-6433	0.355"
2018-6342	1/2"	0.656"	0.764" X 20	0.920"	2018-6441	0.375"
2018-6359	5/8"	0.687"	0.889" X 20	1.10"	2018-6458	0.410"
2018-6367	3/4"	0.687"	1.101" X 20	1.20"	2018-6466	0.410"
2018-6375	7/8"	0.750"	1.155" X 20	1.375"	2018-6482	0.450"
2018-6383	1"	0.843"	1.405" X 20	1.67"	2018-6490	0.410"
2018-6391	1 1/4"	1.000"	1.655" X 20	2.05"	2018-6508	0.410"

N.B. TUBES

Part No.	$\varnothing T$	l	M	CH2	Ferrule Part No.	t
NN4	2018-6524	0.687"	0.889" X 20	1.10"	2018-6623	0.375"
NN6	2018-6532	0.687"	1.014" X 20	1.20"	2018-6649	0.375"
NN8	2018-6540	0.750"	1.155" X 20	1.375"	2018-6664	0.375"
NN12	2018-6557	0.843"	1.405" X 20	1.67"	2018-6698	0.410"
NN16	2018-6565	1.000"	1.655" X 20	2.05"	2018-6706	0.410"
NN20	2018-6573	1.187"	2.179" X 20	2.58"	2018-6714	0.410"

Technical Data:

1" O.D. 690 bar (10,000 psi) hydraulic or 345 bar (5,000 psi) gas.

1.1/4" O.D. 552 bar (8,000 psi) hydraulic or 276 bar (4,000 psi) gas.

N.B. Couplings are suitable for the following pressures, up to and including:

3/4" N.B. 690 bar (10,000 psi) hydraulic or 345 bar (5,000 psi) gas.

1" N.B. 552 bar (8,000 psi) hydraulic or 276 bar (4,000 psi) gas.

1.1/2" N.B. 345 bar (5,000 psi) hydraulic or 173 bar (2,500 psi) gas.