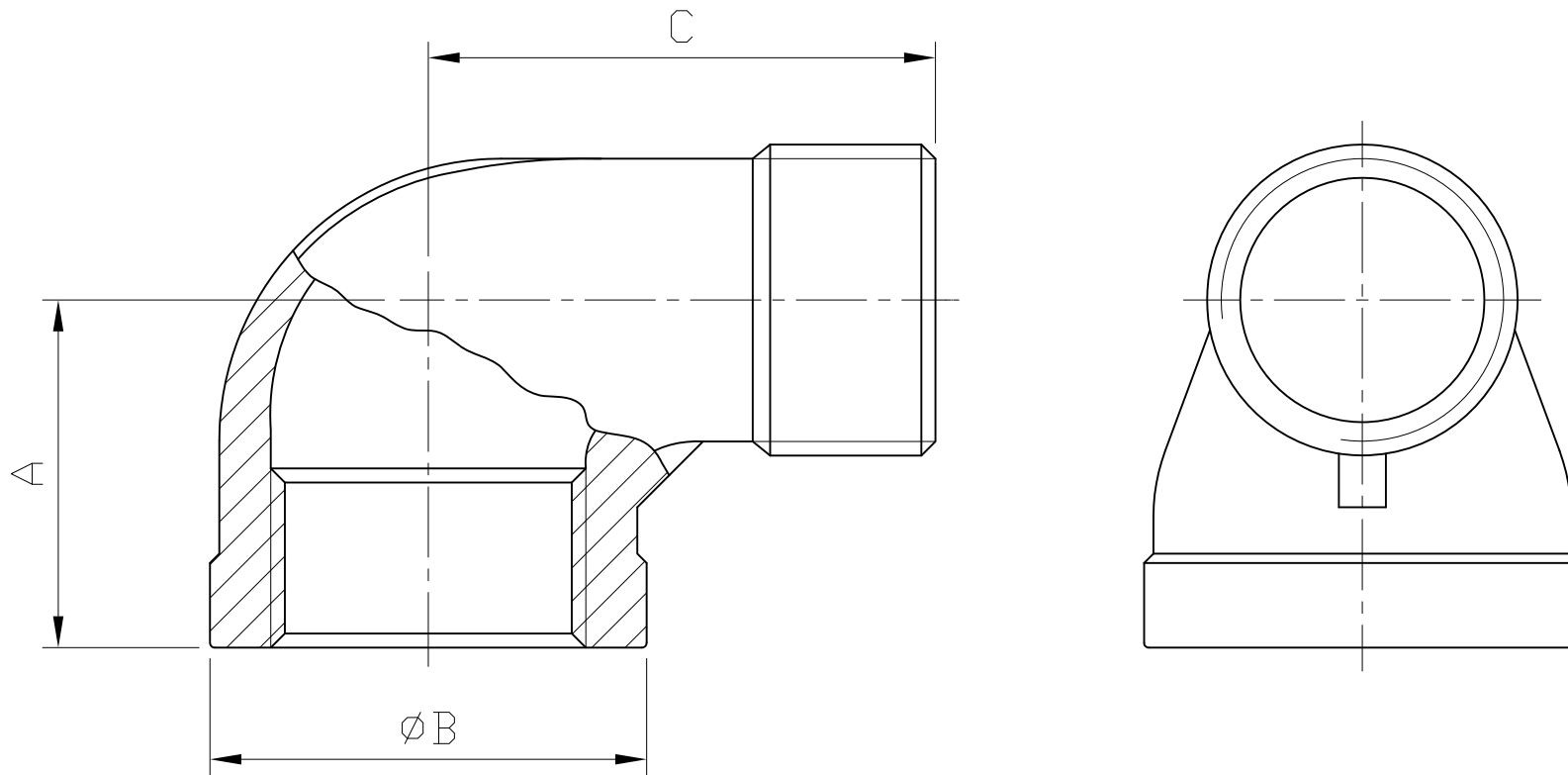


Ra	0.2	▽▽▽▽
1.6	▽▽	▽▽▽▽
6.3	▽	▽▽
25	▽	▽
∅	~	

GENERAL TOLERANCE	± 0.1
	± 0.2
	± 0.3
	± 0.5
	± 0.8

HAITIMA CORPORATION
 P.O. BOX 34-36 TAIPEI
 Tel:+886-2-26585800
 E-mail:haitima@seednet.tw
 TAIWAN R.O.C. www.haitimo.com.tw
 Fax:+886-2-26582266


STREET ELBOW 90° M/F



SIZE	1/8"		1/4"		3/8"		1/2"		3/4"		1"		1-1/4"		1-1/2"		2"		2-1/2" (NPT)		2-1/2" (PS)		3"		4"	
	mm	in	mm	in	mm	in	mm	in	mm	in	mm	in	mm	in	mm	in	mm	in	mm	in	mm	in	mm	in	mm	in
A	19	0.75	21.5	0.85	24.5	0.96	29	1.14	33.5	1.32	37	1.46	43	1.69	47	1.85	57.5	2.26	66	2.6	66	2.6	74	2.91	90	3.54
B	15	0.59	20.5	0.81	24	0.94	28.4	1.12	34.3	1.35	41	1.61	51	2.01	56.5	2.22	69.5	2.74	84	3.31	87.4	3.44	101.8	4.01	128	5.04
C	26.5	1.04	30.8	1.21	36.5	1.44	41	1.61	48	1.89	55	2.17	62	2.44	67	2.64	77.5	3.05	93	3.66	93	3.66	107	4.21	130	5.12

Tolerance: ± 0.5mm(1/8"~2")
 ± 0.8mm(2-1/2"~4")

△			
△			
△			
Revise	Description	Date	Approve
DRAWING NO. F03		-09	



HAITIMA CORPORATION
 Ball Valves & Pipe Fittings

CHECK BY	DRAWING BY	DATE	SPECIFICATION	Street Elbow 90° M/F
	<i>Dune</i>	Jun.29.2009	MATERIAL	304/316
			PROCESS/Nr.	
			UNIT / SCALE	mm

