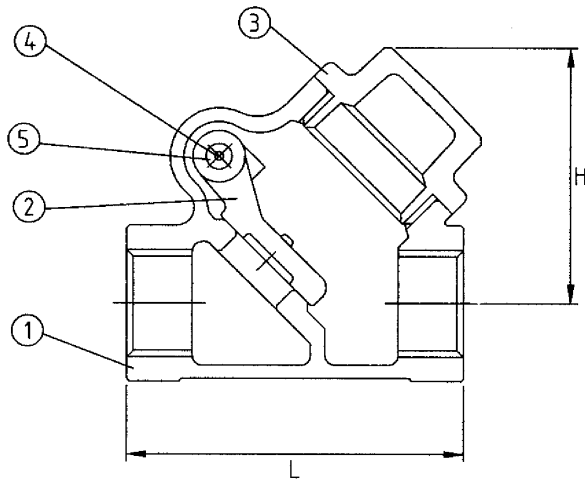


## PN20 Bronze Swing Check Valve



### Features

- Screwed BSP Taper
- Bronze Body
- Bronze Disc
- PN20 Rated

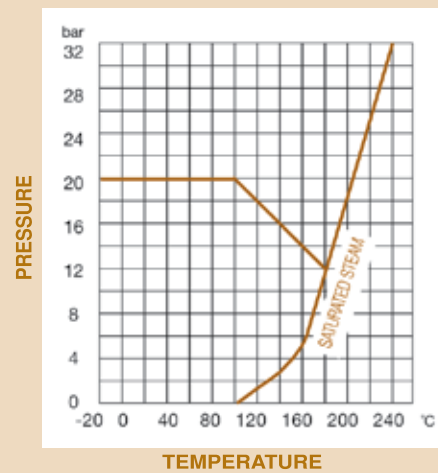


Technical Data	
Maximum Pressure	20 Bar
Working Temperature	-10°C to +180°C

Dimensions in mm

This data sheet is designed as a guide and should not be regarded as wholly accurate in every detail. We reserve the right to amend the specification of any product without notice.

### Pressure / Temperature



N.	Part Name	Materials
1	Body	Bronze ASTM B62 C83600
2	Disc	Bronze ASTM B62 C83600
3	Cap	Bronze ASTM B62 C83600
4	Hanger Pin	Brass ASTM B16 C36000
5	Plug	Brass ASTM B16 C36000

DN	15	20	25	32	40	50
L	80.0	80.0	115.0	135.0	160.0	190.0
H	48.5	48.5	70.0	80.0	93.0	112.0
CV	3.5	6.6	12.0	22.0	30.0	50.0
Kgs	0.31	0.49	0.71	0.99	1.46	2.44