

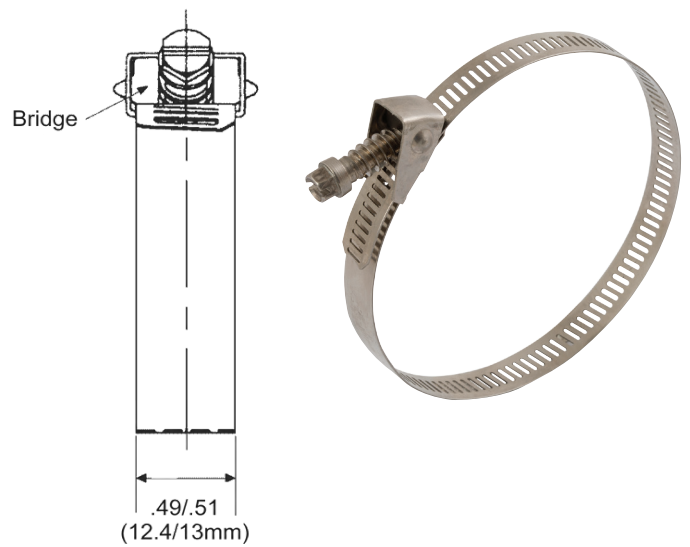
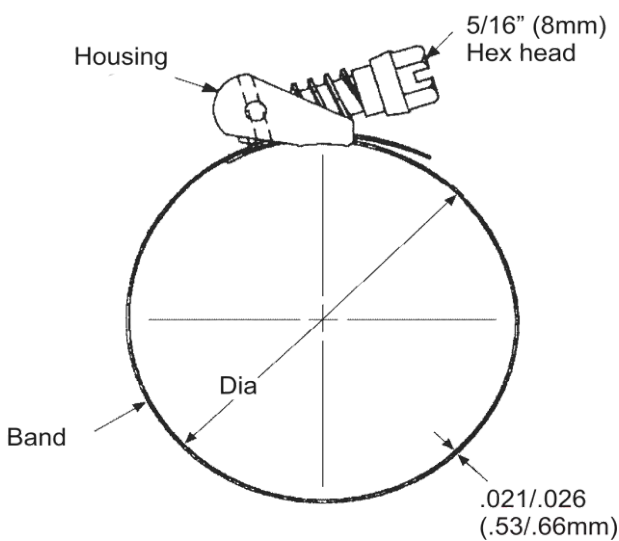
Quick Release Hose Clamps



Quick Release Hose Clamps

Quick release style worm drive clamps are indispensable for installation in closed systems where the clamp must be disengaged to be applied. The swivel-action locking of screw to band makes both installation and removal fast and easy.

This is a first class answer to the ducting industry and is a most flexible clip. It quite happily wraps around awkward bundles and because of the range availability is a valuable cover-all clip to keep in maintenance departments.



Quick Release					
PART NUMBER	Size (mm)		Size (inch)		BOX QTY
	MIN	MAX	MIN	MAX	
G76028	25	57	1	2.1/4	10
G76036	25	70	1	2.3/4	
G76048	38	89	1.1/2	3.1/2	
G76056	25	101	1	4	
G76072	51	127	2	5	
G76088	52	152	2	6	
G76104	45	177	2.7/8	7	
G76128	45	217	2.1/4	8.1/2	
G76152	51	254	2	10	
G76188	52	312	2	12.1/4	
G76216	259	356	10.3/16	14	
G76248	45	406	1.3/4	16	
G76280	362	457	14.1/4	18	
G76312	355	508	14	20	
G76344	44	559	1.3/4	22	

Information		
PART	SIZE	MATERIAL
Hex screw	5/16" (8mm)	301 St. St.
Band	1/2" (12.413mm)	301 St. St.
Housing	-	410 St. St.

Notes:
 Ultimate torque = 60 in-lbs. min
 Clips are shipped disengaged

For thinner bandwidth clips we have our 9mm band embossed Quick Release Clamp. For further information please enquire.