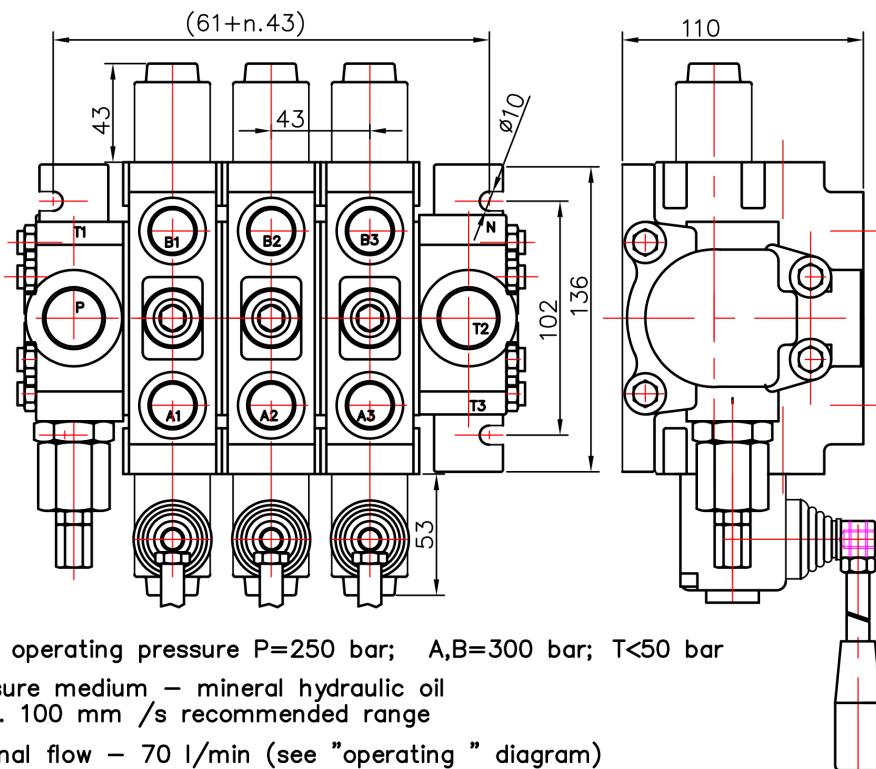


Hydraulic Control Valves



max. operating pressure P=250 bar; A,B=300 bar; T<50 bar
 pressure medium – mineral hydraulic oil
 20 ... 100 mm /s recommended range
 nominal flow – 70 l/min (see "operating " diagram)
 n – number of sections – max 8

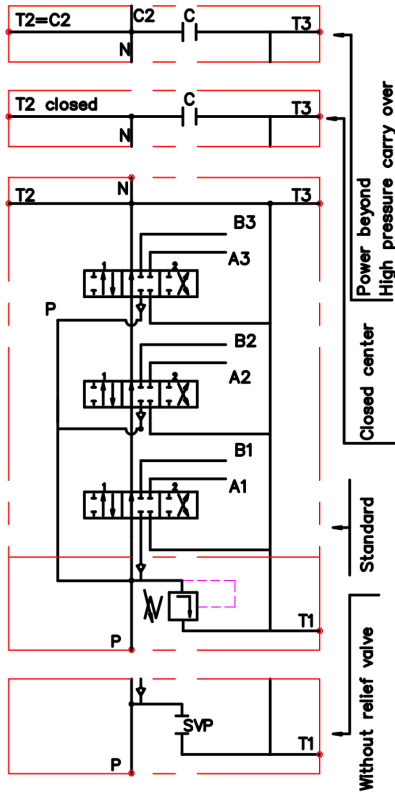
Order code

3 PC70 R N2/PA1/PA8AyBz/PD1/T2 /G KZ1 P E C2

number of spools	3
directional control valve	PC70
inlet high pressure – right	R
type of the inlet cover	N2/PA1/PA8AyBz/PD1/T2
first spool distribution type	/G
second spool distribution type	KZ1
third spool distribution	P
type of the outlet cover (T port)	E
threads (P, A, B, T, N)	C2
lever options	
operation feature	
with microswitch	
high pressure carry over	

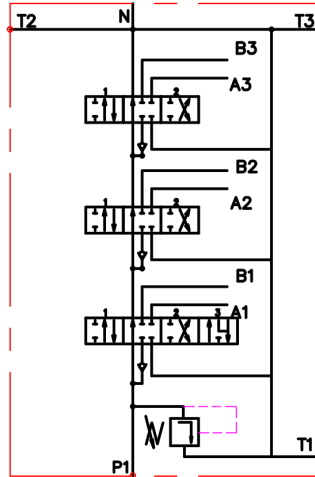
* All depend in operating positions, provided with hydraulic control, have to be ordered explanative.

parallel circuit
3PC70 N2/ PA1/PA1/PA1/T2

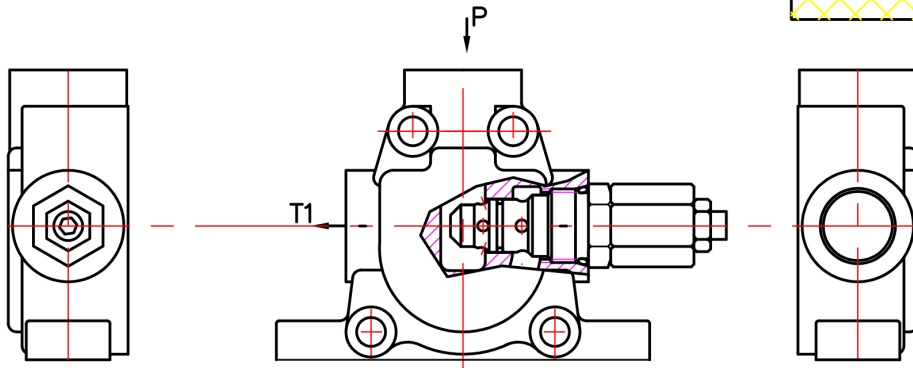
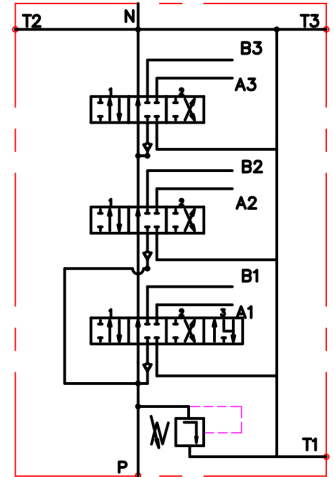


Directional control valve PC 70

tandem circuit
3PC70 N1/ TL12/TA1/TA1

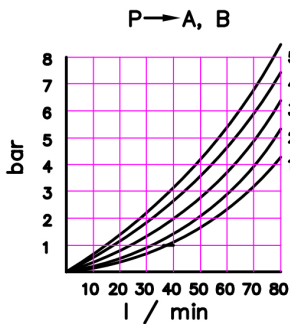
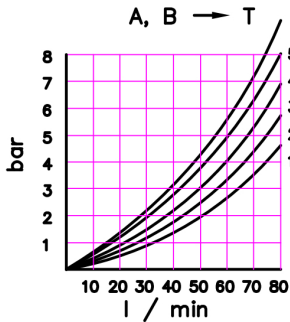
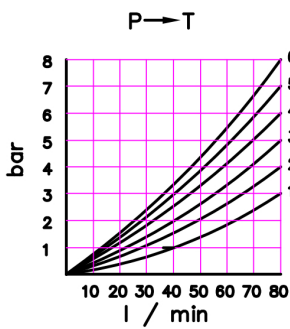
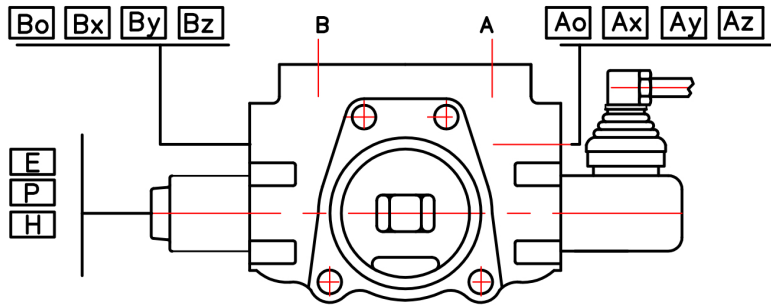


mixed circuit
3PC70 N1/ FL12/PA1/TA1



code	inlet cover
N1	
N2	
N1svp or N2svp	

Directional control valve PC 70



operating diagrams

code	spool type
A	
B	
C	
D	
E	
F	
G	
H	
L	

code	spool control
1	1 0 2
2	1 0 2
3	1 0 2
4	0 2
5	1 0
6	1 2
7	1 2
8	1 0 2
9	1 0
10	0 2
11	1 2
12	1 0 2 3
13	1 0 2 3

code	threads	code	way of distribution of oil
	P, A, B T N	P	parallel
G	1/2" 3/4" M26x1.5	T	tandem
M	M22x1.5 M26x1.5		

standard

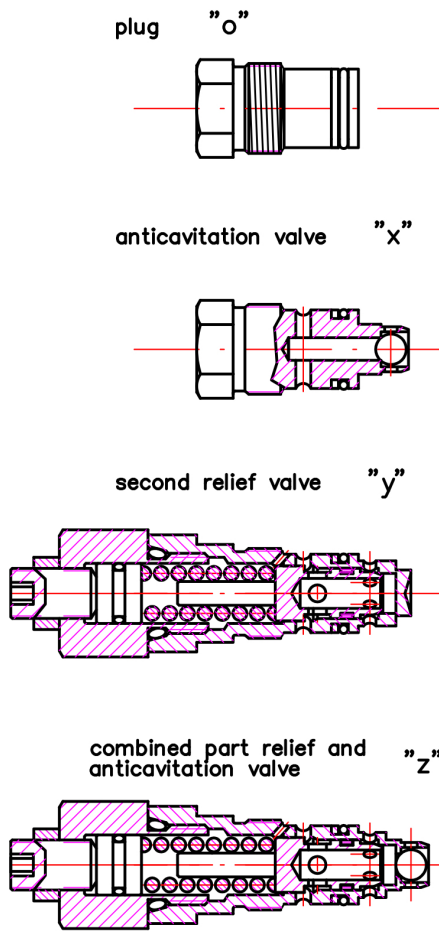
code	with electric switch
E	mikroswitch Omron - V 165 I C5

code	operation feature
P	pneumatic pn = 6 bar
H	hydraulic pn = 6 - 20 bar

Ao	Bo	plug for A and/or B
Ax	Bx	anti cavitation valve for A and/or B
Ay	By	sek. pressure relief valve for A and/or B
Az	Bz	shockabsorber valve for A and/or B

Directional control valve PC 70

second valves

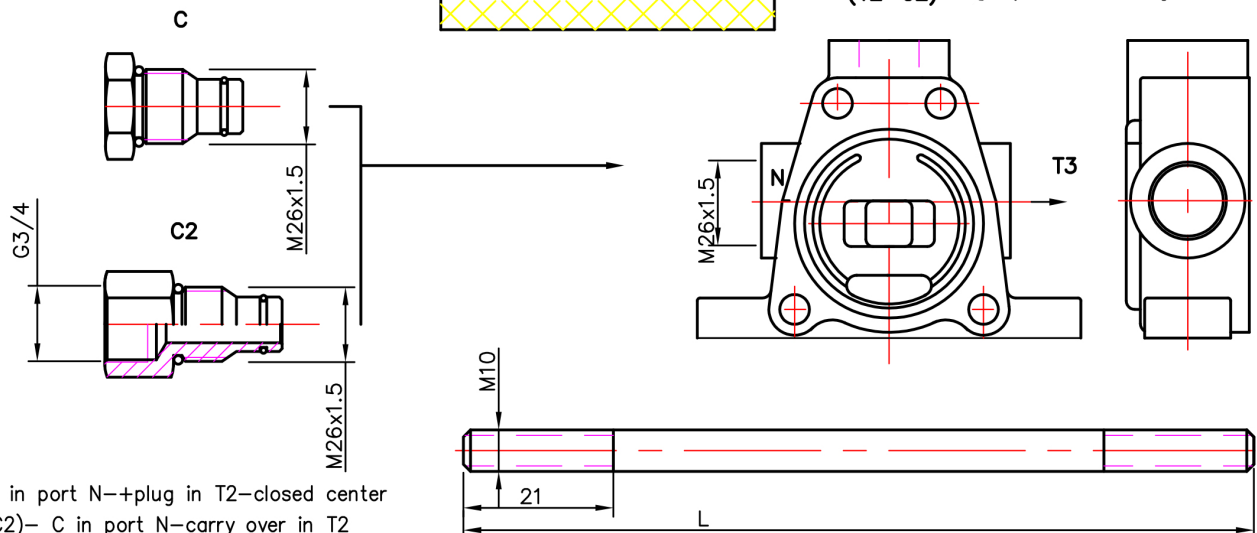


general operation feature

code	feature	code	feature	code	feature
KZ		KY		KI	
KZ1		KY1		KI1	
KZ0		KY0		KI0	
KZ01		KY01		KI01	
-	without lever system				

end plate

T2
or
(T2=C2) high pressure carry over



*C - C in port N+plug in T2-closed center

** (T2=C2) - C in port N-carry over in T2

***C2-C2 in port N+Plug in T2- carry over in N

number of spools	1	2	3	4	5	6	7	8
L	145	188	230	275	320	360	405	445