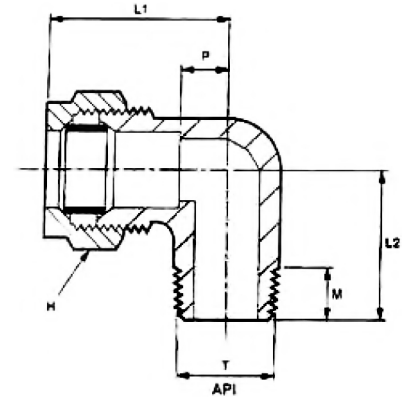
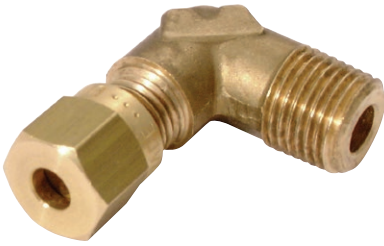


Male Stud Elbow, BSPT, Metric

Wade



Features & Benefits

- 90° Elbow configuration with a BSP taper male stud thread
- Enables tube connection to a mating BSP taper or BSP parallel BS21 female threaded port

Part No	Tube OD	T BSPT Male Thread	M Stud Length	L1 Length	L2 Length	H Hex A/F	P Abutment
WADE-ME104/083	4	1/8"	7mm	22.5mm	17mm	10mm	10.5mm
WADE-ME106/083	6	1/8"	7mm	24mm	17mm	12mm	10.5mm
WADE-ME106/163	6	1/4"	10.5mm	24mm	20.5mm	12mm	10.5mm
WADE-ME108/083	8	1/8"	7mm	25.5mm	17mm	14mm	10.5mm
WADE-ME110/163	10	1/4"	10.5mm	28.5mm	23.5mm	19mm	13.5mm
WADE-ME110/243	10	3/8"	11mm	28.5mm	24mm	19mm	13.5mm
WADE-ME110/323	10	1/2"	14.5mm	36.5mm	32.5mm	19mm	21.5mm
WADE-ME112/163	12	1/4"	10.5mm	31mm	25.5mm	22mm	15.5mm
WADE-ME112/243	12	3/8"	11mm	31mm	26mm	22mm	15.5mm
WADE-ME112/323	12	1/2"	14.5mm	34mm	32.5mm	22mm	18.5mm
WADE-ME115/243	15	3/8"	11mm	31mm	26mm	22mm	15.5mm
WADE-ME115/323	15	1/2"	14.5mm	40.5mm	32.5mm	24mm	20mm
WADE-ME116/323	16	1/2"	11mm	40mm	29mm	27mm	20mm
WADE-ME120/483	20	3/4"	16mm	43.5mm	37mm	32mm	23mm
WADE-ME122/483	22	3/4"	16mm	50.5mm	42mm	36mm	28mm
WADE-ME125/483	25	3/4"	16	50.5mm	42mm	41mm	28mm
WADE-ME125/643	25	1"	18.5mm	50.5mm	44.5mm	41mm	28mm