

Pneumatic Precision Regulators



50.880 Series Panel Mounting

Technical information

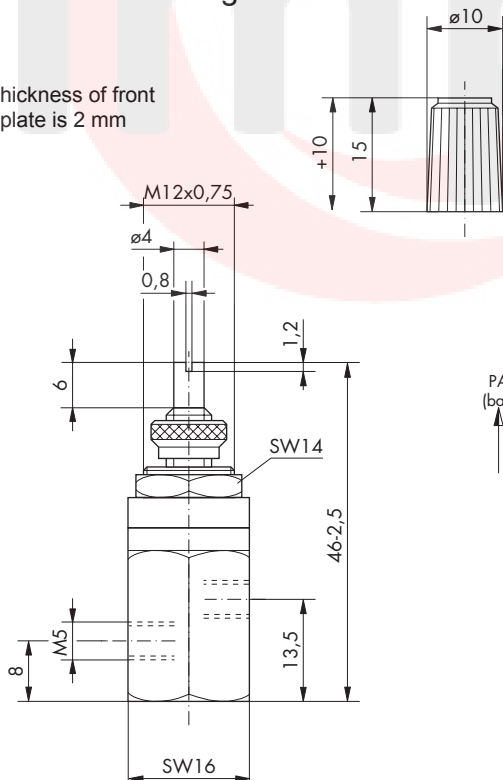
Pressure range:	Max 10 bar
Setting range:	See table
Temperature range:	0°C...+60°C
Housing:	Brass nickel plated
Seals:	NBR
Lubricant:	Not required
Operating medium:	Non-aggressive medium
Accessories:	Rotary knob (Order code 50.883.00)



Symbol	Description	Min. setting	Max. setting	Ports	Order code
	Pressure regulator relieving type	0.0 Bar	8.0 Bar	M5	50.880.00.80.00
	Pressure regulator relieving type	0.0 Bar	4.0 Bar	M5	50.880.00.40.00
	Pressure regulator relieving type	0.0 Bar	2.0 Bar	M5	50.880.00.20.00
	Pressure regulator non-relieving type	0.0 Bar	8.0 Bar	M5	50.880.00.80.10
	Pressure regulator non-relieving type	0.0 Bar	4.0 Bar	M5	50.880.00.40.10
	Pressure regulator non-relieving type	0.0 Bar	2.0 Bar	M5	50.880.00.20.10

Dimensional drawings

Max. thickness of front panel plate is 2 mm



Rotary knob

Order code: **50.883.00**

- PA = Output pressure
- PE = Input pressure
- Q = Flowing through

