



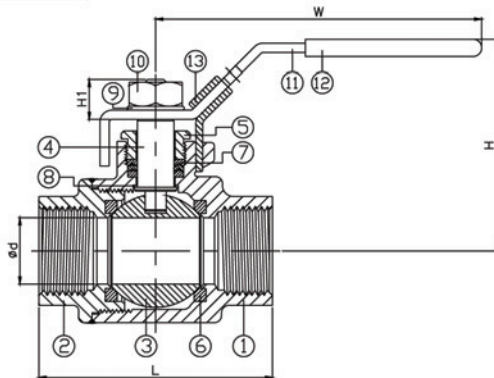
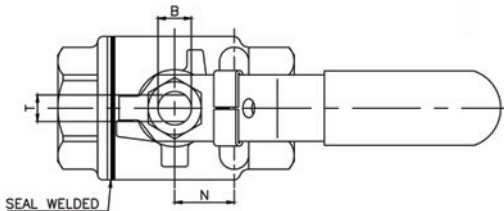
2-PC. SCREWED END BALL VALVE

2006W



FEATURES

- Full port
- W.P. : 1/4"~1" - 2000 WOG(PN150)
1-1/4"~2" - 1500 WOG(PN100)
2-1/2"~4" - 1000 WOG(PN63)
- W.T. : -20°C~200°C (-4°F~392°F)
- Investment casting
- Blow-out proof stem
- Anti-static device (option)
- Locking device
- Tapped & drilled mounting pad
- API 607 Fire safe approved
- ASME B16.34 Wall thickness
- NACE MR0175
- Seal welded ends (option)
- TA-Luft approved
- Thread type : ASTM B1.20.1 (NPT)
DIN2999 & BS21
ISO228/1 & ISO7/1



ITEM	PARTS	MATERIAL	
1	BODY	ASTM A351-CF8M	ASTM A216-WCB
2	CAP		
3	BALL	ASTM A351-CF8M	
4	STEM	ASTM A276-316	
5	GLAND NUT	AISI 304	
6	SEAT	RTFE	
7	PACKING	PTFE	
8	THRUST WASHER		
9	SPRING WASHER		
10	NUT	AISI 304	
11	HANDLE		
12	HANDLE SLEEVE	PVC	
13	LOCKING DEVICE	AISI 304	

DN	d	L	W	H	H1	B	T	N	Torque (N·M)		Weight (kg)
									Action	Breakaway	
8	11.6	60.5	102	53.6	10.5	5/16"	5	12.5	3.58	5.1	0.36
10	12.8	60.5	102	53.6	10.5	5/16"	5	12.5	3.77	6.4	0.34
15	15	62.5	102	57	10.5	5/16"	5	12.5	3.77	6.4	0.35
20	20.2	77	124	62.1	13.5	3/8"	6.5	21	3.77	6.4	0.61
25	25.6	90	165	80	15.7	7/16"	8	23.2	7.67	11.4	1.06
32	32	100	165	83.7	15.7	7/16"	8	23.2	19.5	28.6	1.6
40	38	118	188	99	17	1/2"	9	23.2	19.5	32.5	2.25
50	50.8	138	188	107	17	1/2"	9	23.2	20.8	44.2	3.78
65	65.5	167	250	142	27.5	3/4"	12	35	-	-	5.46
80	80	193	250	153	27.5	3/4"	12	35	-	-	10.6
100	100	258	324	180	34	1"	16	52	-	-	19.12

unit:mm

NPS	d	L	W	H	H1	B	T	N	Torque (in-lb)		Weight (lb)
									Action	Breakaway	
1/4"	0.46	2.38	4.02	2.11	0.41	5/16"	0.2	0.49	31.69	45.14	0.79
3/8"	0.5	2.38	4.02	2.11	0.41	5/16"	0.2	0.49	33.37	56.64	0.75
1/2"	0.59	2.46	4.02	2.24	0.41	5/16"	0.2	0.49	33.37	56.64	0.77
3/4"	0.8	3.03	4.88	2.44	0.53	3/8"	0.26	0.83	33.37	56.64	1.34
1"	1.01	3.54	6.5	3.15	0.62	7/16"	0.31	0.91	67.88	100.9	2.34
1-1/4"	1.26	3.94	6.5	3.3	0.62	7/16"	0.31	0.91	172.59	253.13	3.53
1-1/2"	1.5	4.65	7.4	3.9	0.67	1/2"	0.35	0.91	172.59	287.65	4.96
2"	2	5.43	7.4	4.21	0.67	1/2"	0.35	0.91	184.09	391.2	8.33
2-1/2"	2.58	6.57	9.84	5.59	1.08	3/4"	0.47	1.38	-	-	12.04
3"	3.15	7.6	9.84	6.02	1.08	3/4"	0.47	1.38	-	-	23.37
4"	3.94	10.16	12.76	7.09	1.34	1"	0.63	2.05	-	-	42.15

unit:in