

Compressor Hose Assembly

RoHS 3
COMPLIANT ✓

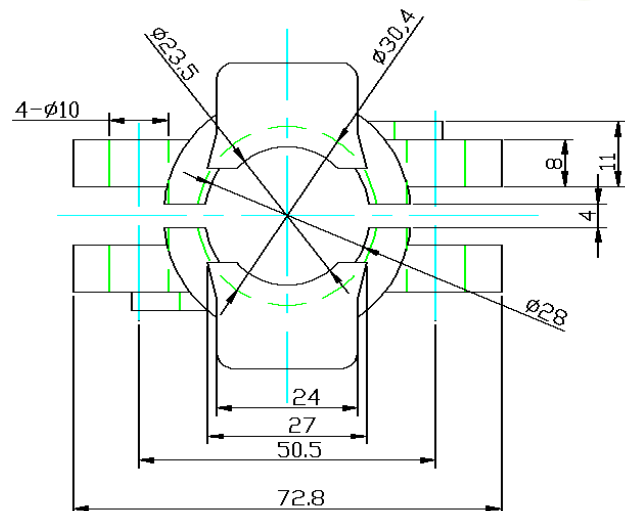
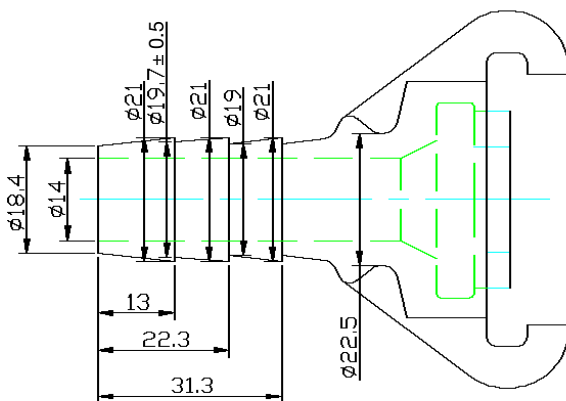
JAYMAC
Industrial Hose & Accessories

with Claw Couplings

- Rubber and PVC grade hoses are intended for general purpose mobile applications such as small power tools and portable site equipment typically operating at 7 to 16 Bar.
- Supplied complete with Jaymac safety claw couplings and clamps, which have fitted as standard anti-vibration nylock style nuts.



Part No:	RTH-3/4-15SAFETY	PTH-3/4-15SAFE
ID mm	19 ±1	19 ±1
OD mm	29	29
Max. Working Pressure Bar	20	20
Length m	15	15
Mass Kg/coil	11.0	7.5
Working Temp °C	-15 to +70	-5 to +60
Hose	Reinforced Rubber	Reinforced PVC
Claw Coupling	Cast Iron QT 400-18	Cast Iron QT 400-18
Shore Hardness	Inner: 78A, Outer 67A	Inner 80A, Outer 78A
Tensile Strength KPa	5,600	14,600



Recommended bolt torque setting 23±2 Nm.



SAFE USE INSTRUCTIONS: To be installed and maintained by a competent professional. When selecting a flexible hose, users should take into account the site conditions, including temperatures, oils and pressures to which it will be subjected (HSG39).

WARNING! To avoid whipping hazards, select and use a self-venting socket connector to release downstream pressure before disconnecting this hose. Alternatively, a plug with a controlled venting action, emergency shut-off valve or whip check safety device are additional product selections that can help you prevent uncontrolled whipping of the hose when its inlet end is uncoupled from the socket.