

Banjos



Benefits:

- Leak free O-ring seal
- Safe joint every time
- Low tightening torque and clamping force rises with the internal pressure.
- Low installed cost, no welding (so inert gas purging, NDT and excessive flushing are not required), minimal tube preparation and no special assembly equipment required.
- Demountable and reusable, can be used with most tube materials.



Features:

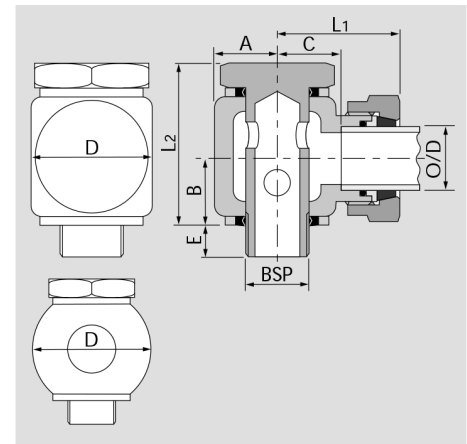
Body- mild steel, compatible with most fluids and environments. Locates O-ring and tube.

O-ring- nitrile, compatible with most fluids, highly resistant to leakage even under severe vibration, pressure pulsation and temperature cycling. Provides diametric seal between the O/D and body cavity.

Nut- mild steel, compatible with environments. Closes split collet and retains sealing mechanism.

Back-up washer- mild steel. Provides additional support for the tube and locates the O ring.

Split collet- mild steel. Clamping force rises with pressure. Large clamping area ensures minimal deformation of the tube. Retains tube in position.



All fittings also available in the following materials upon request:

- Stainless steel
- Cupro-nickel

Seals available on request:

- EP (ethylene propylene)
- FEP encapsulated FPM

All fittings supplied with Nitrile seals as standard.

Working Temperature:
Nitrile: -40°C to +100°C
Viton: -20°C to +150°C

Maximum Working Pressure:
6mm to 22mm: 680 bar
25mm to 50mm: 500 bar

BSPP		
Part Number	O.D. mm	Thread
KRAM6-4BJR	6	1/4"
KRAM8-4BJR	8	1/4"
KRAM10-6BJR	10	3/8"
KRAM12-6BJR	12	3/8"
KRAM16-8BJR	16	1/2"
KRAM20-12BJR	20	3/4"
KRAM25-16BJR	25	3/4"
KRAM30-20BJR	30	1.1/4"
KRAM38-24BJR	38	1.1/2"

O/D mm	Stud BSP	Part No	Dimensions - mm								
			L ₁	L ₂	C	A	B	E	D	Nut	Body
6	1/4	AM6-4BJR	32	30	17	13	12	10	Ø 29	16	19
8	1/4	AM8-4BJR	32	30	17	13	12	10	Ø 29	17	19
10	3/8	AM10-6BJR	40	42	18	18	17	11	Ø 38	27	22
12	3/8	AM12-6BJR	40	42	18	18	17	11	Ø 38	27	22
16	1/2	AM16-8BJR	45	47	21	21	20	13	Ø 45	32	27
20	3/4	AM20-12BJR	56	63	26	25	26	16	Ø 59	41	33
22	3/4	AM22-12BJR	56	63	26	25	26	16	Ø 59	41	33
25	1	AM25-16BJR	62	75	31	29	31	17	57	46	41
30	1	AM30-16BJR	69	81	36	32	34	17	64	50	41
30	1 1/4	AM30-20BJR	75	89	42	38	38	17	76	50	50
38	1 1/4	AM38-20BJR	82	96	44	38	41	17	76	60	50
38	1 1/2	AM38-24BJR	86	107	48	43	46	22	86	60	60

O/D mm	Stud BSP	Part No	Dimensions - mm					
			A	E	L	P	Nut	Body
6	1/4"	AM6-4MSCR	11	11	26	11	16	19
6	3/8"	AM6-6MSCR	13	13	28	14	16	22
8	1/8"	AM8-2MSCR	11	10	26	8	17	17
8	1/4"	AM8-4MSCR	11	11	26	11	17	19
8	3/8"	AM8-6MSCR	13	13	28	14	17	22
10	1/4"	AM10-4MSCR	10	11	32	11	27	27
10	3/8"	AM10-6MSCR	10	13	32	14	27	27
10	1/2"	AM10-8MSCR	10	16	32	18	27	27
12	3/8"	AM12-6MSCR	10	13	32	14	27	27
12	1/2"	AM12-8MSCR	10	16	32	18	27	27
12	3/4"	AM12-12MSCR	11	19	33	23	27	33
16	3/8"	AM16-6MSCR	11	13	34	14	32	27
16	1/2"	AM16-8MSCR	11	16	34	18	32	27
16	3/4"	AM16-12MSCR	13	19	36	23	32	33
20	1/2"	AM20-8MSCR	11	16	41	18	41	36
20	3/4"	AM20-12MSCR	11	19	41	23	41	36
20	1"	AM20-16MSCR	13	21	44	29	41	41
22	3/4"	AM22-12MSCR	13	19	44	23	41	41
25	3/4"	AM25-12MSCR	15	19	46	23	46	41
25	1"	AM25-16MSCR	15	21	46	29	46	41
25	1 1/4"	AM25-20MSCR	18	21	49	37	46	50
30	1"	AM30-16MSCR	19	21	53	29	50	46
30	1 1/4"	AM30-20MSCR	19	21	53	37	50	50
38	1"	AM38-16MSCR	24	21	62	29	60	55
38	1 1/4"	AM38-20MSCR	24	21	62	37	60	55
38	1 1/2"	AM38-24MSCR	24	25	62	43	60	60
50	1 1/4"	AM50-20MSCR	30	21	80	37	80	80
50	1 1/2"	AM50-24MSCR	30	25	81	43	80	80
50	2"	AM50-32MSCR	30	30	81	55	80	80