

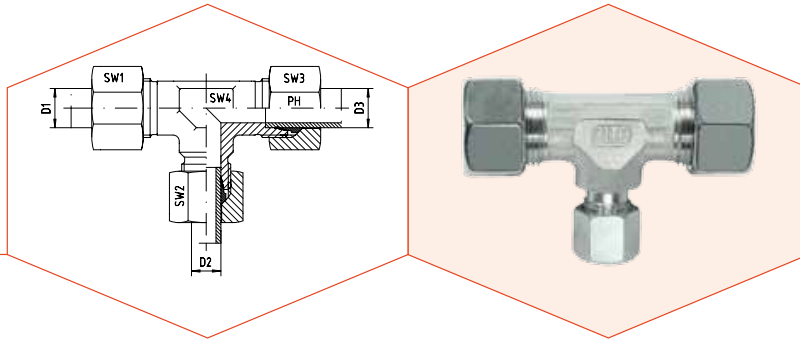


TRV - VERSCHRAUBUNGEN
TRV - COUPLINGS



PRODUKTE / PRODUCTS

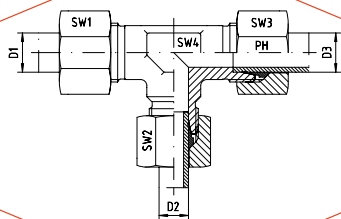
ERLÄUTERUNG / EXPLANATION



T-Reduzier-Verschraubungen
L-Reihe
Andere Sprunggrößen auf Anfrage!

Reducing Tee Couplings
L-Series
Other jump sizes on request!

Reihe Series	Druck Pressure PB	Rohr A.D. Tube O.D.			Ca. Maße Approx. Dimensions				Bestellzeichen Order-Code Standard
		D1	D2	D3	SW1	SW2	SW3	SW4	
L	500	6	8	6	14	17	14	14	TR-6-8-6L
L	500	8	6	8	17	14	17	14	TR-8-6-8L
L	500	6	10	6	14	19	14	17	TR-6-10-6L
L	500	8	10	8	17	19	17	17	TR-8-10-8L
L	500	10	6	10	19	14	19	17	TR-10-6-10L
L	500	10	8	10	19	17	19	17	TR-10-8-10L
L	500	10	10	6	19	19	14	17	TR-10-10-6L
L	400	8	12	8	17	22	17	17	TR-8-12-8L
L	400	12	6	12	22	14	22	17	TR-12-6-12L
L	400	12	8	8	22	17	17	17	TR-12-8-8L
L	400	12	8	12	22	17	22	17	TR-12-8-12L
L	400	12	10	10	22	19	19	17	TR-12-10-10L
L	400	12	10	12	22	19	22	17	TR-12-12-10L
L	400	12	12	10	22	22	19	17	TR-10-12-10L
L	400	10	12	10	19	22	19	17	TR-10-15-10L
L	400	10	15	10	19	27	19	19	TR-12-10-12L
L	400	12	15	12	22	27	22	19	TR-12-15-12L
L	400	15	6	15	27	14	27	19	TR-15-6-15L
L	400	15	8	15	27	17	27	19	TR-15-8-15L
L	400	15	10	15	27	19	27	19	TR-15-10-15L
L	400	15	12	12	27	22	22	19	TR-15-12-12L
L	400	15	12	15	27	22	27	19	TR-15-12-15L
L	400	15	15	12	27	27	22	19	TR-15-15-12L
L	250	15	22	15	27	36	27	27	TR-15-22-15L
L	400	12	18	12	22	32	22	24	TR-12-18-12L
L	400	18	8	18	32	17	32	24	TR-18-8-18L
L	400	18	10	10	32	19	19	24	TR-18-10-10L
L	400	18	10	18	32	19	32	24	TR-18-10-18L
L	400	18	12	18	32	22	32	24	TR-18-12-18L
L	400	18	15	18	32	27	32	24	TR-18-15-18L
L	400	18	18	10	32	32	19	24	TR-18-18-10L
L	250	22	10	22	36	19	36	27	TR-22-10-22L
L	250	22	12	22	36	22	36	27	TR-22-12-22L
L	250	22	15	15	36	27	27	27	TR-22-15-15L
L	250	22	15	22	36	27	36	27	TR-22-15-22L
L	250	22	18	18	36	32	32	27	TR-22-18-18L
L	250	22	18	22	36	32	36	27	TR-22-18-22L
L	250	22	22	18	36	36	32	27	TR-22-22-18L
L	250	28	10	28	41	19	41	36	TR-28-10-28L
L	250	28	12	28	41	22	41	36	TR-28-12-28L
L	250	28	15	28	41	27	41	36	TR-28-15-28L
L	250	28	18	28	41	32	41	36	TR-28-18-28L
L	250	28	22	22	41	36	36	36	TR-28-22-22L
L	250	28	22	28	41	36	41	36	TR-28-22-28L
L	250	28	35	28	41	50	41	41	TR-28-35-28L
L	250	35	12	35	50	22	50	41	TR-35-12-35L
L	250	35	15	35	50	27	50	41	TR-35-15-35L
L	250	35	18	35	50	32	50	41	TR-35-18-35L
L	250	35	22	35	50	36	50	41	TR-35-22-35L
L	250	35	28	35	50	41	50	41	TR-35-28-35L
L	250	35	42	35	50	60	50	50	TR-35-42-35L
L	250	42	15	42	60	27	60	50	TR-42-15-42L
L	250	42	18	42	60	32	60	50	TR-42-18-42L
L	250	42	22	42	60	36	60	50	TR-42-22-42L
L	250	42	28	42	60	41	60	50	TR-42-28-42L
L	250	42	35	42	60	50	60	50	TR-42-35-42L



T-Reduzier-Verschraubungen
S-Reihe
Andere Sprunggrößen auf Anfrage!

Reducing Tee Couplings
S-Series
Other jump sizes on request!

Reihe Series	Druck Pressure PB	Rohr A.D. Tube O.D.			Ca. Maße Approx. Dimensions				Bestellzeichen Order-Code Standard
		D1	D2	D3	SW1	SW2	SW3	SW4	
S	800	8	6	8	19	17	19	14	TR-8-6-8S
S	800	10	6	10	22	17	22	17	TR-10-6-10S
S	800	10	8	10	22	19	22	17	TR-10-8-10S
S	630	12	6	12	24	17	24	17	TR-12-6-12S
S	630	12	8	8	24	19	19	17	TR-12-8-8S
S	630	12	8	12	24	19	24	17	TR-12-8-12S
S	630	12	10	12	24	22	24	17	TR-12-10-12S
S	630	12	16	12	24	30	24	24	TR-12-16-12S
S	630	14	8	14	27	19	27	19	TR-14-8-14S
S	630	14	10	14	27	22	27	19	TR-14-10-14S
S	630	16	6	16	30	17	30	24	TR-16-6-16S
S	630	16	8	16	30	19	30	24	TR-16-8-16S
S	630	16	10	16	30	22	30	24	TR-16-10-16S
S	630	16	12	12	30	24	24	24	TR-16-12-12S
S	630	16	12	16	30	24	30	24	TR-16-12-16S
S	630	16	14	16	30	27	30	24	TR-16-14-16S
S	420	16	20	16	30	36	30	27	TR-16-20-16S
S	420	20	8	20	36	19	36	27	TR-20-8-20S
S	420	20	10	20	36	22	36	27	TR-20-10-20S
S	420	20	12	20	36	24	36	27	TR-20-12-20S
S	420	20	14	20	36	27	36	27	TR-20-14-20S
S	420	20	16	20	36	30	36	27	TR-20-16-20S
S	420	20	25	20	36	46	36	36	TR-20-25-20S
S	420	25	10	25	46	22	46	36	TR-25-10-25S
S	420	25	12	25	46	24	46	36	TR-25-12-25S
S	420	25	14	25	46	27	46	36	TR-25-14-25S
S	420	25	16	25	46	30	46	36	TR-25-16-25S
S	420	25	20	25	46	36	46	36	TR-25-20-25S
S	420	25	30	25	46	50	46	41	TR-25-30-25S
S	420	30	12	30	50	24	50	41	TR-30-12-30S
S	420	30	16	30	50	30	40	41	TR-30-16-30S
S	420	30	20	30	50	36	50	41	TR-30-20-30S
S	420	30	25	30	50	46	50	41	TR-30-25-30S
S	420	30	38	30	50	60	50	50	TR-30-38-30S
S	420	38	16	38	60	30	60	50	TR-38-16-38S
S	420	38	20	38	60	36	60	50	TR-38-20-38S
S	420	38	25	38	60	46	60	50	TR-38-25-38S
S	420	38	30	38	60	50	60	50	TR-38-30-38S