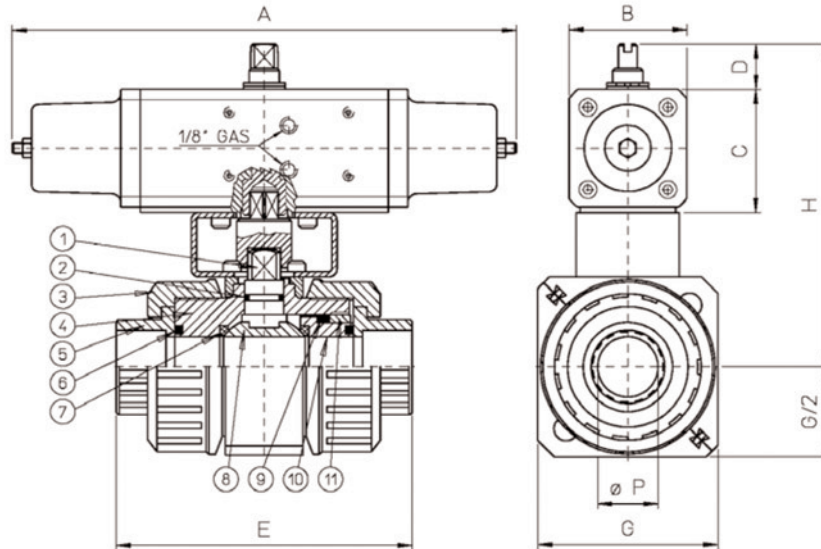


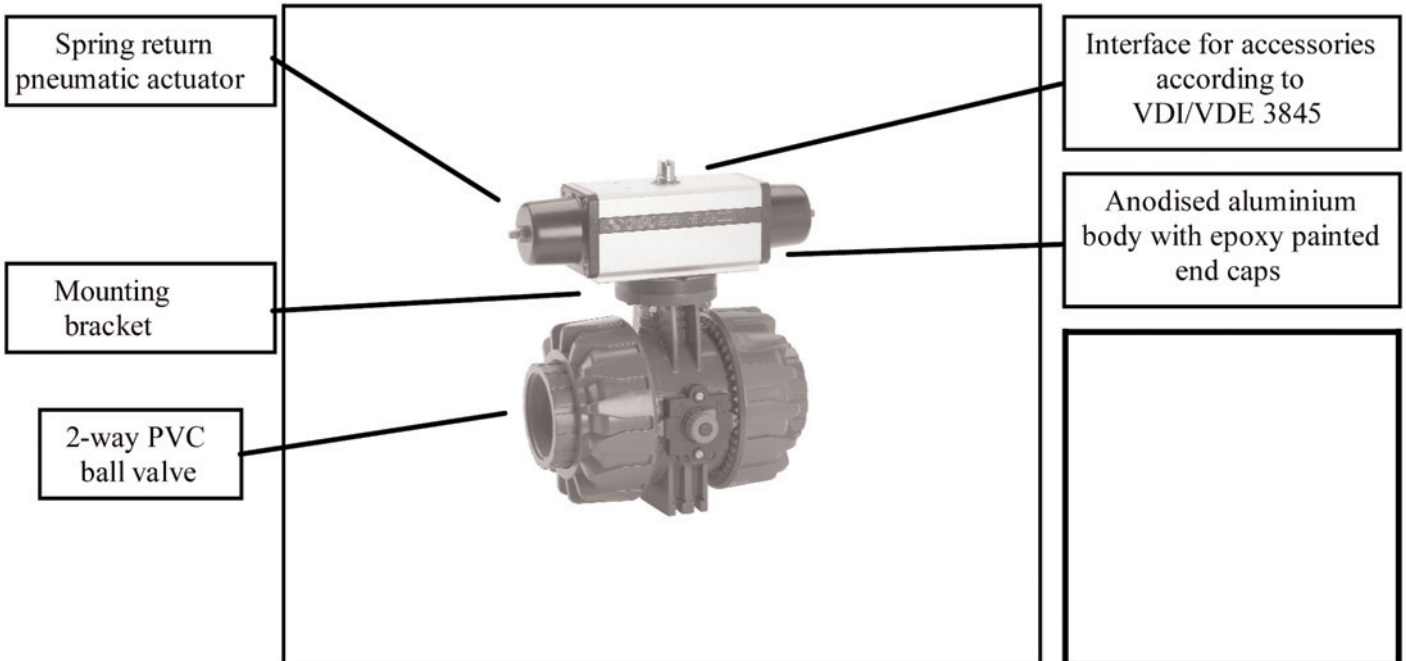
S612 - S614

Spring Return Pneumatic Actuator and Two Way PVC Ball Valve



DIMENSIONS

Part Reference	THREADED	S612H003	S612H004	S612H005	S612H006	S612H007	S612H008	S612H009	S612H010	S612H011	S612H012
Part Reference	BONDED	S614H083	S614H084	S614H085	S614H086	S614H087	S614H088	S614H089	S614H090	S614H091	S614H092
ACTUATOR TYPE		SR015401	SR015401	SR015401	SR015401	SR015401	SR030401	SR030401	SR045401	SR060401	SR090401
Port Size	BSP	3/8"	1/2"	3/4"	1"	1 1/4"	1 1/2"	2"	2 1/2"	3"	4"
Pipe size to be bonded	mm	16	20	25	32	40	50	63	75	90	110
A	mm	221	221	221	221	221	240	240	294	320	357
B	mm	55	55	55	55	55	65	65	72	80	90
C	mm	60.0	60.0	60.0	60.0	60.0	70.0	70.0	77.5	86.0	96.0
D	mm	20	20	20	20	20	20	20	20	30	30
E threaded	mm	103	110	116	134	153	156	186	235	270	308
E bonded	mm	103	103	115	128	146	164	199	235	270	308
G	mm	54	54	65	73	86	98	122	164	203	238
H	mm	138.0	138.0	153.5	154.0	177.0	194.0	204.0	216.5	248.0	276.0
Weight	Kg	1.47	1.47	1.57	1.71	1.90	2.83	3.44	6.30	10.00	14.60



S611 - S613

Spring Return Pneumatic Actuator and Two Way PVC Ball Valve

Actuator Features

- Quarter turn spring return pneumatic actuator
- Scotch yoke design
- Temperature range 0°C to +80°C: (-20°C to +80°C with dry air)
- Air supply 5.6 Bar; maximum working pressure 8.4 Bar
- Operating media: compressed filtered air. In case of lubricated air, either non-detergent oil or NBR compatible oil must be used.

Valve Features

- 2 way PVC ball valve for use with chemicals, food, water.
- Working pressure (see graph below)
- Max working temperature 0 to 60°C
- BSP or bonded ends

Options

- Switch box or mechanical switches (weatherproof, explosion proof, intrinsically safe)
- 3/2 NAMUR solenoid valve (weatherproof, explosion proof, intrinsically safe)
- Positioner (3-15psi, 0-10V or 4-20mA)
- Manual override gearbox
- Visual position indicator

VALVE MATERIALS

1) Shaft	PVC	
2) O-Ring	EPDM	
3) Nut ring	PVC	
4) Body	PVC	
5) End	PVC	
6) O-Ring	EPDM	
7) Ball sealing	P.T.F.E.	
8) Ball	PVC	
9) O-Ring	EPDM	
10) Ball sealing support	PVC	
11) Ring	PVC	

