

Bending & Forming



Bending & Forming

- Wide selection for specific bending and forming needs.
- Quality you can trust.



Type	No. of Models	Capacity		Page
		in.	mm	
Lever Benders				
Plumbing	7	5/8 - 3/4	10 - 18	8.2
Instrument	8	3/16 - 1/2	6 - 12	8.2
Tri-Bender	1	1/4 - 3/8	—	8.3
Heavy-Duty Instrument	8	3/16 - 1/2	6 - 12	8.3
Ratchet Benders				
	3	3/8 - 7/8	10 - 32	8.4
Tube Expanders				
	6	3/8 - 1 3/4	8 - 54	8.5
Flaring Tools				
Ratchet Type	5	1/8 - 1	4 - 16	8.6
Standard	3	3/16 - 1/2	—	8.6
Hydraulic Benders				
Open Wing	6	3/8 - 2	—	8.7
Tip-Up Wing	13	3/8 - 4	—	8.8
Sliding Wing	2	3/8 - 2	—	8.8
Formers				
	64	3/8 - 4	13,5 - 130	8.9
Accessories				
	34	—	—	8.11

Lever Benders



Model 300 Series Plumbing Benders

- Designed to bend soft copper tubing to a maximum of 180°.
- Offset cushion grip handles and a 90° start angle, together with a specially engineered plastic shoe, combine to ease bending effort.

Catalog No.	Model No.	Description	Capacity		Weight	
			Tube Size (actual O.D.)	Bend Radius	lb.	kg
36962*	310	Plumbing Bender	5/8"	2 1/4"	6.5	2,86
36972	312	Plumbing Bender	3/4"	2 7/8"	7	3,13
36942	310M	Plumbing Bender	10 mm	42 mm	4	1,81
36947	312M	Plumbing Bender	12 mm	42 mm	4	1,81
36952	314M	Plumbing Bender	14 mm	56 mm	6.5	2,86
36957	315M	Plumbing Bender	15 mm	56 mm	6.5	2,86
36962*	316M	Plumbing Bender	16 mm	56 mm	6.5	2,86
36967	318M	Plumbing Bender	18 mm	72 mm	7	3,13

**This product is dual-purpose, being both inch and metric.*

Model 400 Series Instrument Benders

- Combine accuracy with easy operation.
- Designed for bending copper, steel and stainless ($\leq 1,5$ mm) to a maximum of 180°.
- Offset cushion grip handles for comfort when forming 180° bends. A 90° start angle and unique oil-absorbing shoe minimize bending effort while forming accurate bends in copper and steel tubing.



Catalog No.	Model No.	Description	Capacity		Weight	
			Tube Size (actual O.D.)	Bend Radius	lb.	kg
36117	403	Instrument Bender	3/16"	5/8"	1.5	0,86
36122	404	Instrument Bender	1/4"	5/8"	1.5	0,86
36092*	405	Instrument Bender	5/16"	5/16"	2.75	1,18
36097	406	Instrument Bender	3/8"	5/16"	2.75	1,18
36132	408	Instrument Bender	1/2"	1 1/2"	5.5	2,45
36112	406M	Instrument Bender	6 mm	16 mm	1.5	0,68
36092*	408M	Instrument Bender	8 mm	24 mm	2.75	1,18
36102	410M	Instrument Bender	10 mm	24 mm	2.75	1,18
36127	412M	Instrument Bender	12 mm	38 mm	5.5	2,45

**This product is dual-purpose, being both inch and metric.*



Model 456 Tri-Bender

- Designed to easily bend three different sizes of soft copper tubing: 1/4", 5/16" and 3/8" with the same tool. Ideal for plumbing and HVAC applications.
- A 90° start angle minimizes effort required to form a bend. Handy reference marks indicate the angle for quick bends through 90°.

Catalog No.	Model No.	Description	Capacity	Weight	
				lb.	kg
44852	456	Tri-Bender	1/4", 5/16", 3/8"	14	0,4



Model 600 Series Heavy-Duty Instrument Benders

- The 'stainless steel' specialist!
- High quality bending performance on stainless steel, and other hard tubing such as steel and titanium.
- Two stage design allows for in-place bending from 90° to 180° without ever crossing handles. Lock/unlock with a half turn rotation of the bending handle.
- Extra long 16" (40 cm) handles increase leverage and roll dies in the bending form reduce force needed.
- Vice clamp built into bending form for extra stability.

Catalog No.	Model No.	Description	Capacity		Weight	
			Tube Size (actual O.D.)	Bend Radius	lb.	kg
38028	603	Heavy-Duty Instrument Bender	3/16"	5/8"	1.68	0,76
38033	604	Heavy-Duty Instrument Bender	1/4"	5/8"	1.68	0,76
38038*	605	Heavy-Duty Instrument Bender	5/16"	15/16"	4	1,84
38043	606	Heavy-Duty Instrument Bender	3/8"	15/16"	4	1,84
38048	608	Heavy-Duty Instrument Bender	1/2"	1 1/2"	6	2,76
38053	606M	Heavy-Duty Instrument Bender	6 mm	16 mm	1.68	0,76
38038*	608M	Heavy-Duty Instrument Bender	8 mm	24 mm	4	1,84
38058	610M	Heavy-Duty Instrument Bender	10 mm	24 mm	4	1,84
38063	612M	Heavy-Duty Instrument Bender	12 mm	38 mm	6	2,76

**This product is dual-purpose, being both inch and metric.*

Ratchet Benders



Model 326 Ratchet Bender

- Designed to bend soft copper and coated soft copper of 10 mm to 22 mm as well as multilayer tube up to 32 mm.
- Unique sliding mechanism places formers quickly in correct tube diameter position.

Catalog No.	Model No.	Description	Weight	
			lb.	kg
18741	326	Bender with 10, 12, 14, 15, 16, 18, 22 mm copper Formers	3.49	3,85
35861	326-P	Bender with 16, 20, 25, 26, 32 mm multilayer Formers	7.10	3,22
19061	326	Bender with 3/8", 1/2", 5/8", 3/4", 7/8" copper formers	1.43	3,22
42096	—	Slide frame for copper Metric		
43736	—	Slide frame for copper Imperial		
42826	—	Slide frame for multilayer		
18751	—	Bending Frame 16, 20, 26 mm multilayer Formers	1.43	0,65
89106	—	Slide frame for 32 mm multilayer Formers		

Accessories

Catalog No.	Capacity mm	Description	Bending Radius	Weight	
				lb.	kg
Formers for Soft and Soft Coated Copper					
41976	10	10 mm Former	35 mm	.11	0,05
41986	12	12 mm Former	40 mm	.13	0,06
41996	14	14 mm Former	48 mm	.15	0,07
42006	15	15 mm Former	50 mm	.17	0,08
42016	16	16 mm Former	58 mm	.17	0,08
42026	17	17 mm Former	60 mm	.17	0,08
42036	18	18 mm Former	69 mm	.20	0,09
42046	20	20 mm Former	76 mm	.20	0,09
42056	22	22 mm Former	76 mm	.22	0,10
43686	3/8"	3/8" Former	1 3/8" mm	.11	0,05
43696	1/2"	1/2" Former	1 7/8" mm	.13	0,06
43706	5/8"	5/8" Former	2 1/2" mm	.17	0,08
43716	3/4"	3/4" Former	2 3/4" mm	.20	0,09
43726	7/8"	7/8" Former	3 1/2" mm	.22	0,10
Formers for Multilayer Tubing					
42016	16	16 mm Former	58 mm	.17	0,08
42046	20	20 mm Former	76 mm	.20	0,09
89086	25	25 mm Former	89 mm	.22	0,10
42086	26	26 mm Former	91 mm	.44	0,20
89096	32	32 mm Former	132 mm	.44	0,20

Tube Expanders

- Hand-operated, single-stage expander is designed to expand tubing for fast, accurate joints in soft copper, aluminium, and soft steel tube without using fittings.
- Free-floating and self-centering expander mechanism. Expander segments are made from high-quality hardened steel.

Expander Only



Catalog No.	Model No.	Description	Weight		Std. Pack
			lb.	kg	
15071	S	Tube Expander Tool	1.54	0,70	1

Expander Sets



Catalog No.	Model No.	Description	Weight		Std. Pack
			lb.	kg	
10411	A	Expander Set 12, 15, 18, 22 mm	7	3,2	1
15181	T	Expander Set 12, 14, 16, 18, 22 mm	5.5	2,5	1
16051	U	Expander Set 12, 15, 22, 28 mm	5.5	2,5	1
16971	W	Expander Set 12, 14, 16, 18, 22, 28, 32, 40 mm	9.5	4,3	1
17411	X	Expander Set 3/8", 1/2", 5/8", 3/4", 7/8", 1 1/8"	7	3,2	1
58747	—	Case	—	—	—

Metric Expander Heads



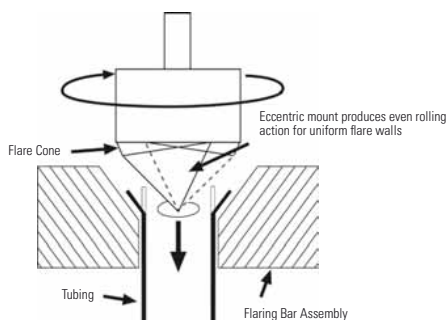
Catalog No.	Model No.	Description	Weight		Std. Pack
			lb.	kg	
10371	—	Expander Head 8 mm	.44	0,20	1
10051	—	Expander Head 10 mm	.44	0,20	1
10061	—	Expander Head 12 mm	.44	0,20	1
10071	—	Expander Head 14 mm	.44	0,20	1
10081	—	Expander Head 15 mm	.53	0,24	1
10091	—	Expander Head 16 mm	.53	0,24	1
10101	—	Expander Head 17 mm	.53	0,24	1
10111	—	Expander Head 18 mm	.53	0,24	1
10121	—	Expander Head 20 mm	.53	0,24	1
10131	—	Expander Head 22 mm	.57	0,26	1
10191	—	Expander Head 25 mm	.57	0,26	1
10141	—	Expander Head 28 mm	.57	0,26	1
10231	—	Expander Head 32 mm	.66	0,30	1
10241	—	Expander Head 34 mm	.66	0,30	1
10151	—	Expander Head 35 mm	.57	0,26	1
10221	—	Expander Head 36 mm	.57	0,26	1
10201	—	Expander Head 40 mm	.57	0,26	1
10161	—	Expander Head 42 mm	.66	0,30	1
10171	—	Expander Head 45 mm	.66	0,30	1
10211	—	Expander Head 54 mm	.57	0,26	1

Imperial Expander Heads



10251	—	Expander Head 3/8"	.57	0,26	1
10261	—	Expander Head 1/2"	.57	0,26	1
10271	—	Expander Head 5/8"	.57	0,26	1
10281	—	Expander Head 3/4"	.57	0,26	1
10291	—	Expander Head 7/8"	.57	0,26	1
10301	—	Expander Head 1"	.57	0,26	1
10311	—	Expander Head 1 1/8"	.57	0,26	1
10321	—	Expander Head 1 1/4"	.57	0,26	1
51206	—	Expander Head 1 3/8"	.57	0,26	1
10341	—	Expander Head 1 1/2"	.57	0,26	1
10351	—	Expander Head 1 5/8"	.57	0,26	1
10361	—	Expander Head 1 3/4"	.57	0,26	1

Flaring Tools



Model 458R Ratchet Flaring Tool

- This precision tool provides smooth, uniform flares with minimum effort.
- The new ratcheting feed screw handle turns easily and requires less motion and effort than a standard handle.
- Hardened steel flaring cone, eccentrically mounted in needle bearings, produces rolling action for even metal flow, giving uniform flare walls without galling.

Catalog No.	Model No.	Description	Size (in.)	Weight		Std. Pack
				lb.	kg	
83037	458 R	45° SAE Flares	1/8, 3/16, 1/4, 5/16, 3/8, 1/2, 5/8, 3/4	3 1/2	1,6	1
41295	454-W	45° SAE-Nominal Water Tube	3/8, 1/2, 3/4, 1	6 1/4	2,8	1
41300	455	45° SAE Flares	1/2, 5/8, 3/4, 7/8, 1	6 3/4	3,1	1
41162	377	37° SAE Flares	3/16, 1/4, 5/16, 3/8, 1/2, 5/8, 3/4	3 1/2	1,6	1
41285	375	37° SAE Flares	1/2, 5/8, 3/4, 7/8, 1	6 3/4	3,1	1
Metric Model			Sizes (mm)			
50257	458MM*	45° SAE Flares	4 - 4,75 - 6 - 8 - 10 - 15 - 16	3 1/2	1,6	1

* Model 458MM doesn't feature a ratchet.

All flaring tools listed are recommended for soft materials such as aluminum and soft copper. Model 454W, Model 455 and Model 375 will also flare steel, stainless steel, hard copper and brass. Model 458R, Model 458MM and Model 377 will flare steel, stainless steel, hard copper, and brass thru wall thickness of .035" (0,9 mm) inches.



Model 345 Standard Flaring Tool

- Model 345 is a precision designed tool for producing 45° flares in soft copper, brass, aluminum and mild steel tubing.
- A hardened, smooth cone provides fast, 45° flares either single or double lap.
- A single clamp screw provides for easy clamping and removal of tubing.

Catalog No.	Model No.	Description	Size (in.)	Weight		Std. Pack
				lb.	kg	
23332	345	45° SAE Flares	3/16, 1/4, 5/16, 3/8, 7/16, 1/2, 5/8	2 3/4	1,2	1
23337	345-DL	45° SAE-(double flares)	Above w/adapters for double lap flares: 3/16, 1/4, 5/16, 3/8, 7/16, 1/2 O.D. Tubing	3	1,3	1

RIDGID® Hydraulic Benders



Model HBO382E

Manual and electro-hydraulic benders for precision cold bending of standard gas pipes up to 4". Versatile, portable benders, ideal for on-site bending as well as machine construction, boiler making and industrial applications in general.

Available with open, tip-up or sliding wing, providing piston forces between 50 kN and 200 kN.

- Single circuit hydraulic system with return spring for better control of the ram and precise bending.
- Pressure relief valve protects the hydraulic system from over-pressurisation (electric models only).
- Supplied in a wooden case and delivered with a set of bending formers for standard gas pipe applications and corner supports.
- A wide range of accessories is available to cater for special bending applications.

Open Wing Benders

For better overview of the bending process and superior accesibility.



Model HBO382

Catalog No.	Model No.	Capacity in.	Pump Force kN	Volt	Motor	Kw	Formers										Weight	
							3/8	1/2	3/4	1	1 1/4	1 1/2	2	2 1/2	3	4	lb.	kg
Manually operated																		
13701	3801	3/8 - 1 1/4	50	—		—	•	•	•	•	•	—	—	—	—	—	123.5	56
42468	HBO382	3/8 - 2	90	—		—	•	•	•	•	•	•	•	—	—	—	194	88
Electro-hydraulic																		
13721	3801E	3/8 - 1 1/4	50	230 V	1 PH	1,4	•	•	•	•	•	—	—	—	—	—	167.5	76
13731	3801E	3/8 - 1 1/4	50	400 V	3 PH	1,4	•	•	•	•	•	—	—	—	—	—	167.5	76
42473	HBO382E	3/8 - 2	90	230 V	1 PH	1,4	•	•	•	•	•	•	•	—	—	—	244.7	111
13751	3802E	3/8 - 2	80	400 V	3 PH	1,5	•	•	•	•	•	•	•	—	—	—	253.5	115

Tip-Up Wing Benders

- Offers the added advantage of extra rigidity during the bending process.
- Ideal for on-site applications.



Catalog No.	Model No.	Capacity in.	Pump Force kN	Volt	Motor	Kw	Formers										Weight	
							3/8	1/2	3/4	1	1 1/4	1 1/2	2	2 1/2	3	4	lb.	kg
Manually operated																		
40383	HB382	3/8 - 1 1/4	90	—	—	—	•	•	•	•	•	—	—	—	—	—	134.5	61
36518	HB382	3/8 - 2	90	—	—	—	•	•	•	•	•	•	—	—	—	—	158.7	72
36523	HB383	3/8 - 3	146	—	—	—	•	•	•	•	•	•	•	•	—	—	344.0	156
14921	3814	3/8 - 4	200	—	—	—	—	—	—	—	—	•	•	•	—	—	904.0	410
27911	3814	3/8 - 4	200	—	—	—	•	•	•	•	•	•	•	•	•	—	926.0	420
Electro-hydraulic																		
14871	3812E	3/8 - 2	80	115	1 PH	1,4	•	•	•	•	•	•	•	—	—	—	220.4	100
39243	HB382E	3/8 - 2	90	230	1 PH	1,4	•	•	•	•	•	•	•	—	—	—	211.6	96
13771	3812E	3/8 - 2	80	400	3 PH	1,5	•	•	•	•	•	•	•	—	—	—	220.4	100
14881	3813E	3/8 - 3	130	115	1 PH	1,4	•	•	•	•	•	•	•	•	—	—	458.5	208
39268	HB383E	3/8 - 3	146	230	1 PH	1,4	•	•	•	•	•	•	•	•	•	—	401.2	182
13781	3813E	3/8 - 3	130	400	3 PH	1,5	•	•	•	•	•	•	•	•	•	—	458.5	208
14931	3814E	3/8 - 4	200	230	1 PH	1,4	—	—	—	—	—	—	•	•	•	—	970.0	440
14941	3814E	3/8 - 4	200	400	3 PH	1,5	—	—	—	—	—	—	•	•	•	—	970.0	440

Sliding Wing Benders

Used for bending multiple bends in different angles.



Catalog No.	Model No.	Capacity in.	Pump Force kN	Formers										Weight				
				3/8	1/2	3/4	1	1 1/4	1 1/2	2	2 1/2	3	4	lb.	kg			
16401	3811S	3/8 - 1 1/4	50	•	•	•	•	•	—	—	—	—	—	—	—	—	101.4	46
16411	3812S	3/8 - 2	80	•	•	•	•	•	•	•	•	—	—	—	—	—	176.3	80

Wing Bender Formers

Formers for Standard Gas Pipe to EN 10255 (DIN 2440, BS 1387)



Catalog No.	Description	Size		Radius mm	Weight	
		in.	metric (O.D.)		lb.	kg
37218	Former for Gas Pipe	¼	13,5	60	2.2	1,0
37223	Former for Gas Pipe	¾	17,2	45	1.8	0,8
37228	Former for Gas Pipe	½	21,3	50	2.4	1,1
37233	Former for Gas Pipe	¾	26,9	80	4.0	1,8
37238	Former for Gas Pipe	1	33,7	110	4.0	1,8
37243	Former for Gas Pipe	1¼	42,4	135	4.6	2,1
37248	Former for Gas Pipe	1½	48,3	155	9.5	4,3
37253	Former for Gas Pipe	2	60,3	220	14.4	6,5
37258	Former for Gas Pipe	2½	76,1	320	38.5	17,5
37263	Former for Gas Pipe	3	88,9	390	59.5	27,2
28756	Former for Gas Pipe	4	114,3	600	220	100

Formers for Plastic Coated Pipe to EN 10255 (DIN 2440, BS 1387)



Catalog No.	Description	Size		Radius mm	Weight	
		in.	metric (O.D.)		lb.	kg
22276	Former for Plastic Coated Pipe	¾	17,2	110	—	—
22286	Former for Plastic Coated Pipe	½	21,3	110	—	—
22296	Former for Plastic Coated Pipe	¾	26,9	137	—	—
22306	Former for Plastic Coated Pipe	1	33,7	140	—	—
22316	Former for Plastic Coated Pipe	1¼	42,4	170	—	—
22326	Former for Plastic Coated Pipe	1½	48,3	220	—	—
22336	Former for Plastic Coated Pipe	2	60,3	270	—	—

Note: For bending 2" plastic coated pipes, 3" capacity hydraulic benders must be used.

Metric Formers for Standard Tube & Pipe to EN 10255 (DIN 2440, BS 1387)



Catalog No.	Description	Size		Radius mm	Weight	
		in.	metric (O.D.)		lb.	kg
27816	Former for Standard Tube & Pipe	—	18,0	60	—	—
27826	Former for Standard Tube & Pipe	—	20,0	70	—	—
27836	Former for Standard Tube & Pipe	—	22,0	80	—	—
22116	Former for Standard Tube & Pipe	—	25,0	115	—	—
35066	Former for Standard Tube & Pipe	—	28,0	70	—	—
22126	Former for Standard Tube & Pipe	—	30,0	140	—	—
22136	Former for Standard Tube & Pipe	—	32,0	140	—	—
35076	Former for Standard Tube & Pipe	—	35,0	100	—	—
22146	Former for Standard Tube & Pipe	—	38,0	170	—	—
35086	Former for Standard Tube & Pipe	—	40,0	125	—	—
35096	Former for Standard Tube & Pipe	—	42,0	125	—	—
22156	Former for Standard Tube & Pipe	—	44,5	190	—	—
35106	Former for Standard Tube & Pipe	—	50,0	140	—	—
22176	Former for Standard Tube & Pipe	—	51,0	220	—	—
22186	Former for Standard Tube & Pipe	—	57,0	250	—	—
22206	Former for Standard Tube & Pipe	—	63,6	270	—	—
22216	Former for Standard Tube & Pipe	—	70,0	315	—	—

Wing Bender Formers

Formers for High Strength Tubing

Catalog No.	Description	Size		Radius mm	Weight	
		in.	metric (O.D.)		lb.	kg
22236	Former for High Strength Tubing	½	21,3	110	6.6	3
22246	Former for High Strength Tubing	¾	26,9	137	8.8	4
22256	Former for High Strength Tubing	1	33,7	190	6.6	3
22266	Former for High Strength Tubing	1¼	42,4	220	20	9
22166	Former for High Strength Tubing	1½	48,3	220	18.7	8,5
22196	Former for High Strength Tubing	2	60,3	270	30	13,5
22226	Former for High Strength Tubing	2½	76,1	420	67.2	30,5

Formers for 180° Bending



Catalog No.	Description	Size		Radius mm	Weight	
		in.	metric (O.D.)		lb.	kg
22376	Former for 180° Bending	⅜	17,2	130	—	—
22386	Former for 180° Bending	½	21,3	130	—	—
22396	Former for 180° Bending	¾	26,9	130	—	—
22406	Former for 180° Bending	1	33,7	130	—	—
22416	Former for 180° Bending	1¼	42,4	130	—	—
22426	Former for 180° Bending	1½	48,3	140	—	—
28766	Former for 180° Bending	2	60,3	190	—	—

Note: Formers for 180° bending to be used with 180° bending attachment.

Accessories

Catalog No.	Description	Weight	
		lb.	kg
22346	180° Bending Attachment for HB382 (1½ max.)	37.4	17,0
22356	180° Bending Attachment for HB383 (2 max.)	37.4	17,0
22366	180° Bending Attachment for 3802 (1½ max.)	37.4	17,0

Former for 180° Bending on Flat Bars (max. 40 mm x 8 mm)



Catalog No.	Description	Radius mm	Weight	
			lb.	kg
22466	Former for Flat Bar for 180° Bending	60	4.4	2,0
22476	Former for Flat Bar for 180° Bending	70	5.5	2,5
22486	Former for Flat Bar for 180° Bending	80	6.6	3,0
22496	Former for Flat Bar for 180° Bending	90	8.8	4,0
22506	Former for Flat Bar for 180° Bending	100	8.8	4,0
22516	Former for Flat Bar for 180° Bending	110	12.1	5,5
22526	Former for Flat Bar for 180° Bending	120	13.2	6,0
28536	Former for Flat Bar for 180° Bending	130	15.4	7,0

Note: Formers for 180° bending of flat bars to be used with 180° flat bar bending attachment.

Accessories

Catalog No.	Description	Weight	
		lb.	kg
22436	180° Bending Attachment for HB382	—	—
22446	180° Bending Attachment for 3802	—	—
22456	180° Bending Attachment for HB383	—	—

Wing Bender Accessories

Accessories for 1 1/4" Cap. Hydraulic Benders

Catalog No.	Description	Weight	
		lb.	kg
26896	Stroke Adjuster 3801E 230 V	9.9	4,5
26906	Stroke Adjuster 3801E 400 V	3.3	1,5
21976	Corner Supports 3801	3.3	1,5
22026	Fixing Pin 3801	2.2	1,0
28796	Bending Frame 3801	32.1	14,6
28846	Wooden Case 3801	23.3	10,6
28876	Wooden Case 3801E	39.6	18,0

Accessories for 2" Cap. Hydraulic Benders



Catalog No.	Description	Weight	
		lb.	kg
26916	Stroke Adjuster 3802E 230 V	9.9	4,5
26926	Stroke Adjuster 3802E/3812E 400 V	7.7	3,5
37273	Corner Supports HB382/HB382E	6.8	3,1
42533	Corner Supports HBO382/HBO382E	12.1	5,5
37293	Fixing Pin HB382/HB382E	0.8	0,4
42543	Fixing Pin HBO382/HBO382E	4.4	2,0
38083	Bending Frame HB382/HB382E	28.6	13,0
42523	Bending Frame HBO382/HBO382E	65.0	29,5
28856	Wooden Case 3802/HB382	29.9	13,6
28876	Wooden Case 3802E/HB382E	39.6	18,0

Accessories for 3" Cap. Hydraulic Benders

Catalog No.	Description	Weight	
		lb.	kg
26916	Stroke Adjuster 3813E 230 V	9.9	4,5
26926	Stroke Adjuster 3813E 400 V	7.7	3,5
37278	Corner Supports HB383/ HB383E	22.0	10,0
38078	Bending Frame HB383/ HB383E	80.4	36,5
28866	Wooden Case HB383	46.2	21,0
28886	Wooden Case HB383E	63.9	29,0
38568	Extension for 3"	—	—

Wing Bender Accessories

Accessories for 4" Cap. Hydraulic Benders

Catalog No.	Description	Weight	
		lb.	kg
26126	Stroke Adjuster 3814E 230 V	9.9	4,5
26116	Stroke Adjuster 3814E 400 V	9.9	4,5
28776	Corner Supports 3814E / 2"	12.1	5,5
28786	Corner Supports 3814E / 4"	41.8	19,0
28836	Bending Frame 3814	273.3	124,0
28896	Wooden Case 3814	143.3	65,0

Accessories for all RIDGID® Hydraulic Benders

Catalog No.	Description	Weight	
		lb.	kg
37813	Turnable Tripod (for all models up to 3')	16.5	7,5
14061	2,5 l Hydraulic Oil	5.5	2,5
37618	Straightener	2.2	1,0
37828	Transport Wheel Kit (for models HB382, HB383, HB382E and HB383E)	4.8	2,2

