

VOCI DI CAPITOLATO - TECHNICAL FEATURES

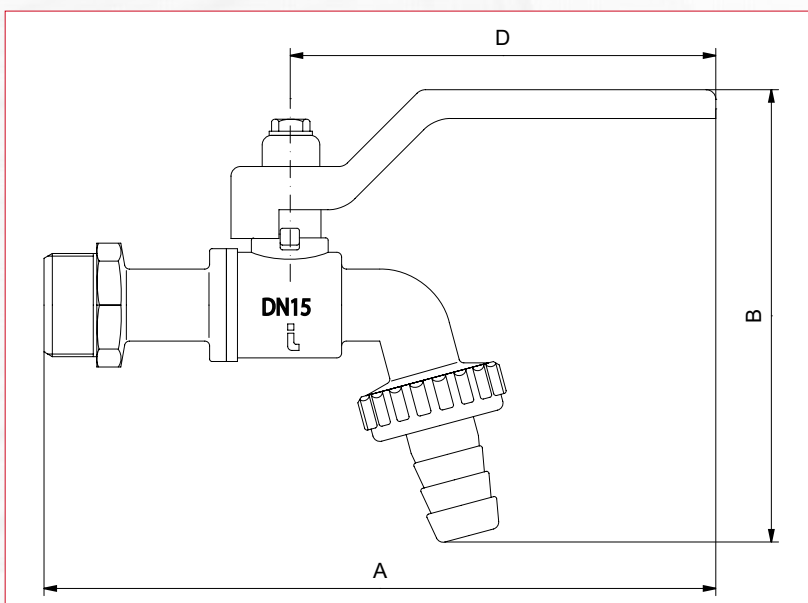


Corpo in ottone nichelato.  
Raccordo in ottone.  
Maniglia a leva in acciaio.  
Temperature minima e massima d'esercizio:  
-20°C, 80°C.  
Attacco filettato ISO228  
(equivalente a DIN EN ISO 228 e BS EN ISO 228).  
Misure disponibili:  
**1/2"x3/4", 3/4"x1".**

*Body in nickel-plated brass.  
Hose connection in brass.  
Lever handle in steel.  
Minimum and maximum working temperatures:  
-20°C, 80°C.  
Threads ISO228  
(equivalent to DIN EN ISO 228 and BS EN ISO 228).  
Available sizes:  
**1/2"x3/4", 3/4"x1".***

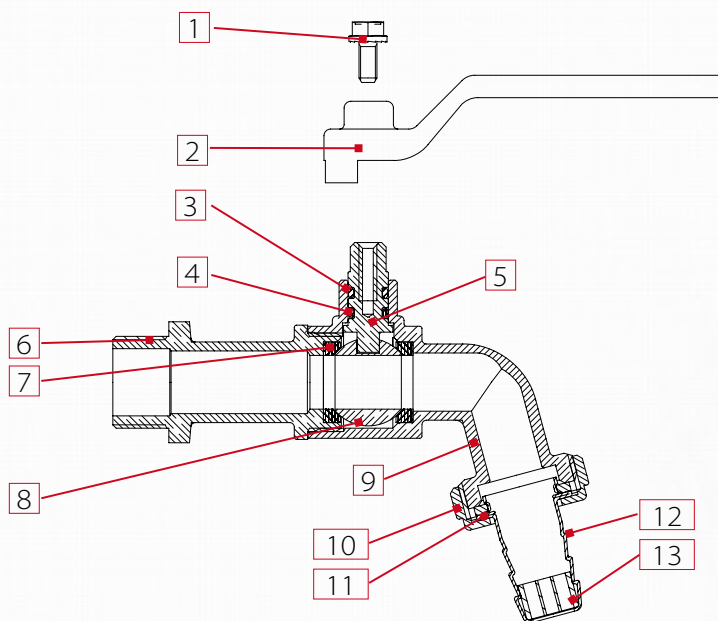
MISURA/SIZE	1/2" (DN 15)	3/4" (DN 20)
PRESSIONE/PRESSURE	15bar/217.5psi	15bar/217.5psi
CODICE/CODE	1740012	1740034
IMBALLO/PACKING	15/135	10/140

QUOTE DI INGOMBRO - DRAWING



Part Code	IT174-12	IT174-34
SIZE	1/2"	3/4"
DN	15	20
A (mm)	129	132
B (mm)	87	97
D (mm)	80	80
PRESS. ATMOS./WORK. PRESS. Kg/cm <sup>2</sup> - bar	15	15
PRESS. ATMOSF. PSI LBS WORK. PRESS.	220	220





POS.	DESCRIZIONE/DESCRIPTION	Q.TÀ/N.	MATERIALE/MATERIAL
1	Vite / Screw	1	Fe CB4 Zincato / <i>Zincplated steel</i>
2	Maniglia a leva / <i>Lever handle</i>	1	Fe P04 Zincato-Verniciato / <i>Zincplated and varnished steel</i>
3	Guarnizione / <i>O-ring</i>	1	Or-VITON / <i>VITON - 70 SH/A</i>
4	Guarnizione / <i>O-ring</i>	1	OR-NBR / <i>NBR - 70 SH/A</i>
5	Asta di manovra / <i>Stem</i>	1	Ottone CW614-N / <i>Brass CW614-N</i>
6	Manicotto / <i>End adapter</i>	1	Ottone stampato CW617-N nichelato / <i>Hot pressed brass nickel-plated</i>
7	Tenuta laterale / <i>Seal</i>	2	PTFE
8	Sfera / <i>Ball</i>	1	Ottone CW614-N nichel-cromo / <i>Hard chrome-plated brass</i>
9	Corpo / <i>Body</i>	1	Ottone stampato CW617-N nichelato / <i>Hot pressed brass nickel-plated</i>
10	Girello / <i>Nut</i>	1	Ottone stampato CW617-N nichelato / <i>Hot pressed brass nickel-plated</i>
11	Guarnizione / <i>Washer</i>	1	PVC / <i>PVC Rubber</i>
12	Codolo / <i>Hose connection</i>	1	Ottone nichelato UNI 4892 - EN 10204 / <i>Nickel-plated brass</i>
13	Codolo / <i>Hose connection</i>	1	Vestolen / <i>Vestolen A 6016</i>

Certificazioni- *Certifications*

