

AV Slow Retraction: Hose Reels

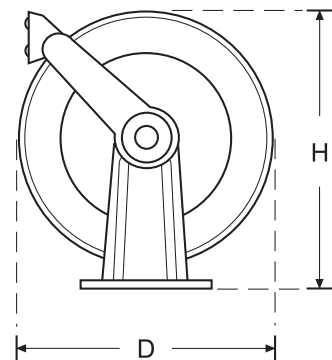
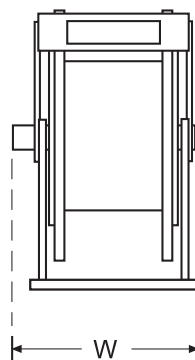


Kiowa AV Slow Retraction, Spring Rewind Stainless Steel Reel

The Kiowa spring rewind safety series hose reel in 304 grade stainless steel. The adjustable, slow retraction safety feature takes spring rewind hose reels to the next level in hose management and is fast becoming the new industry standard with health and safety. The superior twin pedestal design and quality component parts provide long term, trouble free service. The adjustable full width roller guides prolong the hose assemblies working life whilst the ribbed side arms give ultimate rigidity during pull out and hose retrieval. Durable nylon hub assemblies allow the main drum to rotate straight and true with adjustable guide arms giving the user various mounting positions. Working pressures are standard up to 3,000psi (200 Bar).

Applications

-  AIR
-  HOT WATER
-  OIL
-  COLD WATER
-  DIESEL



Features and Benefits

- Reduced recoil speed can be adjusted on site
- Constructed in heavy duty Stainless Steel
- Twin pedestal design
- Full width roller guide assembly
- Optional pivoting wall brackets
- 90°C working temperature
- 3,000psi (200 Bar) working pressure
- 400 and 600 Bar upgrades available
- Ribbed side arms for extra rigidity
- Externally mounted swivel assembly
- Latching of hose assembly at any desired length
- Long term spare parts availability
- Supplied as a bare reel (hose at extra cost)
- 12 month manufacturer's warranty
- Also available as 1" version

Product Code	Construction	Hose ID mm	Hose Length m	Working Pressure Bar	Inlet BSP	Outlet BSP	Weight kg	Height (H) mm	Width (W) mm	Depth (D) mm
HR-AV1000BK	Stainless Steel	13	12-15	200	1/2" (M)	1/2" (F)	15	570	280	470
HR-AV1100BK	Stainless Steel	13	18-20	200	1/2" (M)	1/2" (F)	20	570	320	470
HR-AV3500BK	Stainless Steel	13	30-35	200	1/2" (M)	1/2" (F)	30	600	360	590
HR-AV3501BK	Stainless Steel	19	18-20	80	1" (M)	3/4" (F)	30	600	410	590
HR-AV3502BK	Stainless Steel	19	22-25	80	1" (M)	3/4" (F)	30	600	410	590