

Push-in fittings and connectors QS

FESTO



Festo core product range
Covers 80% of your automation tasks

Worldwide:

Always in stock

Superb:

Festo quality at an attractive price

Easy:

Reduces procurement and storing complexity

★ Generally ready for shipping ex works in 24 hours
Held in stock in 13 service centres worldwide
More than 2200 product

★ Generally ready for shipping ex works in 5 days
Assembled for you in 4 service centres worldwide
Up to 6 x 10¹² variants per product series

Look for the star!

Push-in fittings QS

Features



Application



Effortless selection of the right fitting. Festo offers a secure solution for every connection. The convenient push-in fitting system includes well over 1000 types of standard and function fittings.

Summary of tubing/fitting combinations			
Applications	Fitting	Tubing	Description
Standard	QS	PEN	Suitable for a wide range of tasks and attractively priced. Flexible thanks to high levels of resistance, easy to install thanks to optimised bending radii. High level of abrasion resistance in dynamic applications.
	QS	PUN	Maximum flexibility in standard applications thanks to an extremely wide range of options for combining the different types.
	QS	PAN	Meets all requirements, even for standard applications with increased pressure and temperature ranges.
High pressures	NPQM	PAN-MF	Meets DIN standard 73378: ideal for use in mobile pneumatics. Suitable for increased temperature ranges combined with high pressure ranges.
	NPQH	PAN-R	Powerful in pressure ranges up to 20 bar, for example in applications with the pressure booster DPA.
Resistant to chemicals, food safe and hydrolysis resistant	NPQP	PLN	Resistant to cleaning agents, FDA compliant and economical. Can be used instead of the combination with stainless steel fittings.
	NPKA	PUN-H	Hydrolysis resistant and suitable for water applications. Combination suitable for use in clean rooms, FDA compliant and corrosion resistant as it is made of 100% polymer. Very easy to install thanks to the "one click principle".
	NPQH	PFAN/PTFEN	For high temperatures up to 150 °C. Food safe, FDA compliant and resistant to cleaning agents.
	NPCK	PFAN/PTFEN	Easy to clean thanks to the union nut's edge-free design. Maximum resistance to corrosion (CRC 4) and FDA compliant. Suitable for a wide range of media.
	CRQS	PFAN/PTFEN	Maximum resistance to corrosion (CRC 4) and to aggressive acids and alkalis.
Resistant to chemicals and hydrolysis resistant	NPQR	PFAN/PTFEN	Optimised design, reduction in edges where dirt can collect – all at an attractive price. For high temperatures up to 150 °C. Pressure range up to 16 bar. Highest level of corrosion resistance (CRC 4).
Antistatic	NPQM	PUN-CM	Antistatic tubing plus solid metal fitting: maximum protection for electric and electronic components.
Flame retardant	NPQM	PUN-V0	Very safe in areas where there is a risk of fire thanks to flame-retardant properties. The tubing has been tested to DIN 5510-2.
Resistant to welding spatter	NPQH	PUN-V0-C	Ideal for applications involving welding spatter. Reliable thanks to a tubing wall thickness of 2 mm for all diameters.
	QS-V0	PAN-V0	Safe even in the close vicinity of welding spatter thanks to the double-walled tubing with special fitting.

Push-in fittings QS

Features

FESTO

Push-in fittings product range

QSM, mini series



Technical data → Internet: qsm

Miniature push-in fittings for maximum component density in confined spaces. For pneumatic applications with a temperature range up to 80 °C and a pressure range up to 14 bar. Tubing outside diameters of 2, 3, 4 and 6 mm with connecting threads M3, M5, M6, M7, R $\frac{1}{8}$ and G $\frac{1}{8}$.

QS, standard series



Technical data → Internet: qs

Wide selection of push-in fittings for pneumatic applications with a temperature range up to 80 °C and a pressure range up to 14 bar. Tubing outside diameters of 4, 6, 8, 10, 12, 16 and 22 mm with connecting threads R $\frac{1}{8}$... R $\frac{1}{2}$ and G $\frac{1}{8}$... G $\frac{3}{4}$.

CRQS, stainless steel



Technical data → Internet: crqs

Stainless steel push-in fitting. High corrosion resistance CRC 4 and chemical resistance with approval for use in the food and packaging industry. For pneumatic applications with a temperature range up to 120 °C and a pressure range up to 10 bar. Tubing outside diameters of 4, 6, 8, 10, 12 and 16 mm with connecting threads M5 and R $\frac{1}{8}$... R $\frac{1}{2}$.

QS-V0, resistant to welding spatter



Technical data → Internet: qs-v0

Flame-retardant push-in fitting for use in all areas where there is a risk of fire, for example welding systems in the automotive industry and in the construction industry. For pneumatic applications with a temperature range up to 60 °C and a pressure range up to 10 bar. Tubing outside diameters of 4, 6, 8, 10 and 12 mm with connecting threads R $\frac{1}{8}$... R $\frac{1}{2}$ and G $\frac{1}{8}$... G $\frac{1}{2}$.

NPQH



Technical data → Internet: npqh

Solid metal push-in fitting made of chemically nickel-plated brass. High corrosion resistance CRC 3 and chemical resistance. For pneumatic applications with a temperature range up to 150 °C and a pressure range up to 20 bar. Tubing outside diameters of 4, 6, 8, 10, 12 and 14 mm with connecting threads M5, M7 and G $\frac{1}{8}$... G $\frac{1}{2}$.

NPQM



Technical data → Internet: npqm

Attractively priced metal push-in fitting for pneumatic applications with a temperature range up to 70 °C and a pressure range up to 16 bar. Tubing outside diameters of 3, 4, 6, 8, 10, 12 and 14 mm with connecting threads M5, M7 and G $\frac{1}{8}$... G $\frac{1}{2}$.

NPQP



Technical data → Internet: npqp

Polypropylene fitting for use in applications with extreme influence of media. For pneumatic applications with a temperature range up to 60 °C and a pressure range up to 10 bar. Tubing outside diameters of 4, 6, 8, 10 and 12 mm with connecting threads R $\frac{1}{8}$... R $\frac{1}{2}$.

NPQR, stainless steel



Technical data → Internet: npqr

Stainless steel push-in fitting. Maximum corrosion resistance CRC 4 and chemical resistance. For pneumatic applications with a temperature range up to 150 °C and a pressure range up to 16 bar. Tubing outside diameters of 4, 6, 8, 10 and 12 mm with connecting threads M5, M7 and G $\frac{1}{8}$... G $\frac{1}{2}$.

Push-in fittings QS

Features

FESTO

Functional push-in fittings product range

QSK, self-sealing push-in fitting

Technical data → Internet: qsk



Push-in fitting that blocks the air flow after the tubing is disconnected. For pneumatic applications with a temperature range up to 60 °C and a pressure range up to 14 bar. Tubing O.D. \varnothing of 4, 6, 8, 10 and 12 mm with connecting threads M5, R $\frac{1}{8}$... R $\frac{1}{2}$ and G $\frac{1}{8}$... G $\frac{1}{2}$.

QSR, rotary push-in fitting

Technical data → Internet: qsr



Push-in fitting with swivel connection, rotatable by 360°. The ball bearing enables rotating movements in the application up to max. 500 rpm. For pneumatic applications with a temperature range up to 60 °C and a pressure range up to 14 bar. Tubing O.D. \varnothing of 4, 6, 8, 10 and 12 mm with connecting threads M5, R $\frac{1}{8}$... R $\frac{1}{2}$ and G $\frac{1}{8}$... G $\frac{1}{2}$.

Quick connectors product range

NPCK

Technical data → Internet: npck



Stainless steel fitting for use in areas subject to intensive cleaning. Highest level of corrosion resistance (CRC 4). For pneumatic applications with a temperature range up to 120 °C and a pressure range up to 12 bar. Tubing O.D. \varnothing of 4, 6, 8 and 10 mm with connecting thread M5 and G $\frac{1}{8}$... G $\frac{3}{8}$.

Click fittings product range

NPKA





Technical data → Internet: npka



Plastic fitting for easy installation with one-hand operation. Hydrolysis resistant, FDA compliant and easy to clean. For pneumatic applications with a temperature range up to 60 °C and a pressure range up to 10 bar. Tubing O.D. 6 mm with connecting thread G $\frac{1}{8}$.

Push-in fittings QS

Key features

Simply "plug and work"	Reliably connected	Captive seal	Orientable
			
<p>The stainless steel retaining claw within the fitting holds the tubing securely without damaging its surface. Vibration and pressure surges are safely absorbed.</p>	<p>A nitrile rubber sealing ring guarantees a perfect seal between standard OD tubing and the body of the fitting. Standard tubing is suitable for use with compressed air and vacuum.</p>	<p>All brass parts of Festo's push-in fittings are nickel plated and are thus highly resistant to corrosion. The tapered ISO R threads have a self-sealing PTFE coating, which allows the fitting to be re-used up to five times without the need for additional sealing components.</p>	<p>The fitting can be aligned after assembly.</p>

Tube assembly/disassembly			
Mounting	Dismantling		
<p>The prerequisite for ensuring that the inside seal is securely held and protected against damage is that the tube be cut to straight lengths and deburred.</p> <ol style="list-style-type: none"> 1) Insert tubing until the end stop. It is important to ensure that the tubing is inserted into the inside 	<p>seal. Depending on the tolerance position of the tubing and the seal, the contact of the tubing with the seal may be wrongly interpreted as the end stop.</p> <ol style="list-style-type: none"> 2) Check that the tubing connector is securely held by pulling gently on the tube. 	<ol style="list-style-type: none"> 1) The tubing can be detached easily by pressing down and holding the releasing ring. Remove the tubing carefully from the threaded connector. 	<ol style="list-style-type: none"> 2) Before re-using the tubing, remove the damaged part by cutting it off.

Push-in fittings QS

Key features

Which fitting fit which thread?

Metric parallel thread

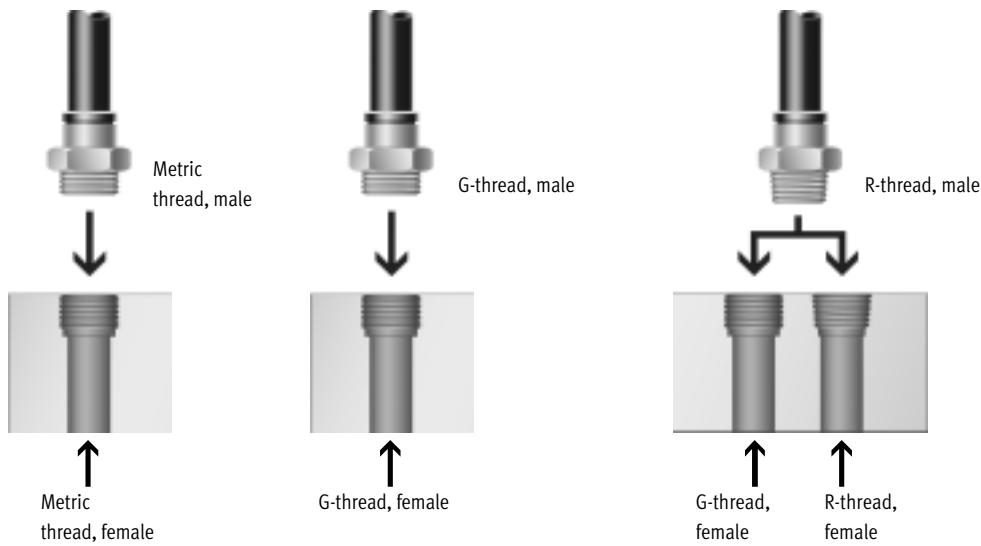
- Cylindrical metric thread is comparable with G thread
- Sealing is guaranteed via a sealing ring
- Sealing on front face

G parallel thread to ISO 228-1

- Shorter thread
- Constant installation depth
- Replaceable sealing ring
- Sealing on front face
- Can be re-used a number of times thanks to replaceable sealing ring

R tapered thread to EN 10226-1 and ISO 7/1

- Self-sealing thread
- Sealing via coated threads
- No additional sealing surface required
- Smaller installation dimensions since there is no need for a rebate for the sealing surface
- Can be re-used up to five times

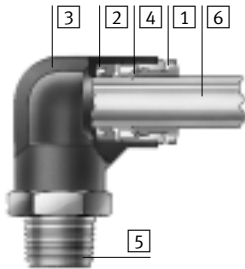


Push-in fittings QS

Technical data

Materials

Sectional view



Size	QSM, mini series QS, standard series
1 Release ring	POM (colour: blue)
2 Seal	NBR
3 Body	Nickel-plated brass, PBT QSM-M3-3/4: Nickel-plated steel
4 Tube retaining claw	High-alloy stainless steel
5 Threaded plug	Nickel-plated brass M3: Nickel-plated steel
6 Plastic tubing with standard O.D.	PAN PEN PUN PUN-H
Note on materials	RoHS-compliant

Size	QS-V0, weld spatter resistant
1 Release ring	PBT-reinforced (colour: black)
2 Seal	NBR
3 Body	PBT-reinforced
4 Tube retaining claw	High-alloy stainless steel Brass
5 Threaded plug	Nickel-plated brass
6 Plastic tubing with standard O.D.	PAN-V0
Note on materials	RoHS-compliant

Push-in fittings QS

Technical data

Reference values for the tubing insertion depth¹⁾



Tubing O.D. [mm]	2	3	4	6	8	10	12	14	16	22
QSM, mini series	8.4	9.5	11.5	12	-	-	-	-	-	-
QS, standard series	-	-	15 (QSW: 12)	17 (QSW: 12)	18	20.5	23.5	-	24.5	28
QS-V0, weld spatter resistant	-	-	20	22	23.5	26	28.5	-	-	-


1) The indicated tubing insertion depths are reference values and may vary slightly depending on the type.

Recommended tightening torque



When using push-in fittings with internal hex, ensure that the Allen key is not inserted too far into the fitting to

prevent the risk of damage to components behind the fitting.

 - Note

All R-threads are coated with a sealing material. This coating replaces the conventional sealing ring. Simply screw in the R-thread by hand and tighten it with 1 or 2 turns of a spanner. The fitting can be reinstalled up to five times. When screwing in R-threads several times, you must make sure that the abraded particles from the sealing material coating cannot enter the compressed air system.

Connecting thread	Nominal tightening torque [Nm]
M thread	
M3	0.48 ±55%
M5	1.33 ±20%
M7	3.35 ±20%
G thread	
G ¹ / ₈	7 ±20%
G ¹ / ₄	9 ±20%
G ³ / ₈	15.5 ±20%
G ¹ / ₂	26 ±20%
G ³ / ₄	20 ±20%

Push-in fittings QS

Technical data

General technical data	
Design	Push-pull principle
Mounting position	Any
Type of seal on threaded plug	Sealing ring (metric thread, G thread) Coating (R thread)

Operating and environmental conditions			
Size	QSM, mini series	QS, standard series	
		Except QS-G $\frac{3}{4}$ -22	QS-G $\frac{3}{4}$ -22
Operating pressure [bar] complete temperature range	-0.95 ... +6		-0.95 ... +14
Temperature-dependent operating pressure [bar]	-0.95 ... +14 → diagram		
Operating medium	Compressed air in accordance with ISO 8573-1:2010 [7:--:-]		
	-	Water as per manufacturer's declaration ¹⁾²⁾	
Note on operating/pilot medium	Operation with lubricated medium possible		
Ambient temperature [°C]	-10 ... +80		-20 ... +80
Corrosion resistance class CRC ³⁾	1		
Maritime classification	See certificate ¹⁾		-

Size	QS-V0, weld spatter resistant
Operating pressure [bar] complete temperature range	-0.95 ... +10
Operating medium	Compressed air in accordance with ISO 8573-1:2010 [7:--:-]
	Water as per manufacturer's declaration ¹⁾
Note on operating/pilot medium	Operation with lubricated medium possible
Ambient temperature [°C]	0 ... +60
Corrosion resistance class CRC ³⁾	2
Material fire test	UL94 V-0 (body, release ring)
Maritime classification	See certificate ¹⁾

1) Additional information www.festo.com/sp → Certificates.

2) The supplied sealing ring must be replaced with an OL sealing ring on push-in fittings with a G-thread → Internet: ol

3) Corrosion resistance class CRC 1 to Festo standard FN 940070

Low corrosion stress. For dry indoor applications or transport and storage protection. Also applies to parts behind covers, in the non-visible interior area, and parts which are covered in the application (e.g. drive trunnions).

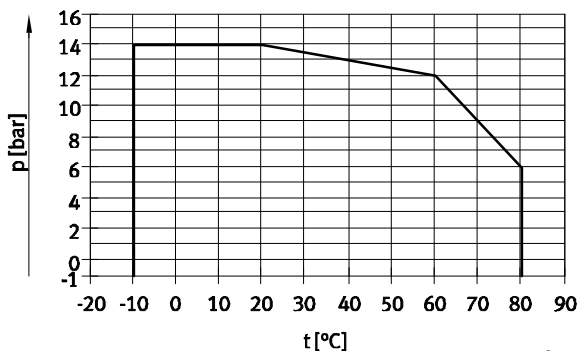
Corrosion resistance class CRC 2 to Festo standard FN 940070

Moderate corrosion stress. Indoor applications in which condensation may occur. External visible parts with primarily decorative requirements for the surface and which are in direct contact with the ambient atmosphere typical for industrial applications.

Operating pressure p as a function of temperature t

QSM, mini series

QS (except QS-G $\frac{3}{4}$ -22), standard series



Push-in fittings QS

Technical data




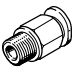










Possible push-in fitting/tubing combinations											
Type	Thread	Tubing O.D. [mm]									
		2	3	4	6	8	10	12	14	16	22
QSM, mini series	M3	+	++	+	-	-	-	-	-	-	-
	M5	+	+	++	+	-	-	-	-	-	-
	M6	-	-	-	+	-	-	-	-	-	-
	M7	-	-	+	++	-	-	-	-	-	-
	M8	-	-	-	++	-	-	-	-	-	-
	R1/8	-	-	+	++	-	-	-	-	-	-
	G1/8	-	-	+	++	-	-	-	-	-	-
QS, standard series	M5	-	-	++	+	-	-	-	-	-	-
	R1/8	-	-	+	++	+	+	-	-	-	-
	R1/4	-	-	+	+	++	+	+	-	-	-
	R3/8	-	-	-	+	+	++	+	-	+	-
	R1/2	-	-	-	-	-	+	++	-	+	-
	G1/8	-	-	+	++	+	+	-	-	-	-
	G1/4	-	-	+	+	++	+	+	-	-	-
	G3/8	-	-	-	+	+	++	+	-	+	-
	G1/2	-	-	-	-	-	-	++	-	+	-
QS-V0, weld spatter resist- ant	R1/8	-	-	+	++	+	-	-	-	-	-
	R1/4	-	-	-	+	++	+	+	-	-	-
	R3/8	-	-	-	-	+	++	+	-	-	-
	R1/2	-	-	-	-	-	+	++	-	-	-
	G1/8	-	-	-	++	+	-	-	-	-	-
	G1/4	-	-	-	+	++	+	+	-	-	-
	G3/8	-	-	-	-	+	++	+	-	-	-
	G1/2	-	-	-	-	-	+	++	-	-	-

+ Possible thread/tubing O.D. combinations

++ Optimum thread/tubing O.D. combinations (with regard to flow)

Push-in fittings QSM, mini series

Product range overview

Design	Version	Type	Connection D1					Connection D2 Tubing O.D.	→ Page/ Internet
			M thread	R thread	G thread	Tubing O.D.	Push-in sleeve Ø		
Straight design	Push-in fitting – Male thread with external hex								
		QSM	M3	-	-	-	-	2, 3, 4	22
			M5					2, 3, 4, 6	
			M6					6	
		QSM	-	R 1/8	G 1/8	-	-	4, 6	
	Push-in fitting – Male thread with internal hex								
		QSM-...-I	M3	-	-	-	-	2, 3, 4	23
			M5					3, 4, 6	
			M7					R 1/8	
	Push-in fitting – Male thread with internal hex, round release ring								
		QSM-...-I-R	M3	-	-	-	-	3, 4	24
			M5					3, 4, 6	
			M7					6	
	Push-in fitting – Female thread with external hex								
		QSMF	M3	-	-	-	-	3, 4	25
			M5					3, 4	
	Push-in fitting – Male thread with internal hex								
		QSMF	M6x0.75	-	-	-	-	4	25
			M8x0.75					6	
			M8x1.25					6	
	Push-in connector								
		QSM	-	-	-	-	-	3	26
	4								
	6								
	QSM Reducing	-	-	-	-	-	3	26	
							4		
							6		
Push-in bulkhead connector									
	QSMS	-	-	-	-	-	3	26	
							4		
							6		
Push-in cap									
	QSMC	-	-	-	3	-	-	27	
Push-in connector with sleeve									
	QSM-...H	-	-	-	-	-	3	27	
							4		
							6		
Blanking plug									
	QSMC-...H	-	-	-	-	-	2	27	
							3		

Push-in fittings QSM, mini series

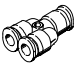
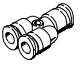
Product range overview



Design	Version	Type	Connection D1					Connection D2 Tubing O.D.	→ Page/ Internet	
			M thread	R thread	G thread	Tubing O.D.	Push-in sleeve ∅			
L-shape	Push-in L-fitting, orientable – Male thread with external hex									
		QSML	M3	–	–	–	–	2, 3, 4	28	
			M5	–	–	–	–	2, 3, 4, 6		
			M7	R1/8	G1/8	–	–	4, 6		
	Push-in long L-fitting, orientable – Male thread with external hex									
		QSMLL	M3	–	–	–	–	2, 3, 4	29	
			M5	–	–	–	–	2, 3, 4, 6		
			M7	R1/8	G1/8	–	–	4, 6		
	Push-in L-fitting, orientable – Male thread with internal hex									
		QSMLV-...-I	M5	–	–	–	–	3, 4	30	
			M7	–	–	–	–	4, 6		
	Push-in long L-fitting, orientable – Male thread with internal hex									
		QSMLLV-...-I	M5	–	–	–	–	3, 4	30	
			M7	–	–	–	–	4, 6		
	Push-in L-connector									
	QSML	–	–	–	–	3	–	31		
		–	–	–	–	4	–			
		–	–	–	–	6	–			
Push-in L-connector with sleeve										
	QSML-...H	–	–	–	–	3	3	31		
		–	–	–	–	4	4			
		–	–	–	–	6	6			
	QSML-...H Reducing	–	–	–	–	4	3	31		
		–	–	–	–	6	4			
T-shape	Push-in T-fitting, orientable – Male thread with external hex									
		QSMT	M3	–	–	–	–	3, 4	32	
			M5	–	–	–	–	3, 4, 6		
			–	R1/8	G1/8	–	–	4, 6		
		QSMTL	M3	–	–	–	–	3, 4	33	
			M5	–	–	–	–	3, 4, 6		
			–	R1/8	G1/8	–	–	4, 6		
	Push-in T-connector									
		QSMT	–	–	–	–	2	–	2	34
			–	–	–	–	3	–	3	
–			–	–	–	4	–	4		
–			–	–	–	6	–	6		
	QSMT Reducing	–	–	–	–	4	–	3	34	
		–	–	–	–	6	–	4		
X-shape	Push-in X-connector									
		QSMX	–	–	–	–	3	–	–	35
			–	–	–	–	4	–	–	
–			–	–	–	6	–	–		

Push-in fittings QSM, mini series









Product range overview

Design	Version	Type	Connection D1				Push-in sleeve Ø	Connection D2		→ Page/ Internet
			M thread	R thread	G thread	Tubing O.D.		Tubing O.D.		
Y-shape	Push-in Y-connector									
		QSMY	-	-	-	2	-	2	35	
						3		3		
						4		4		
						6		6		
		QSMY Reducing	-	-	-	4	-	3	35	
						6		4		

Push-in fittings QS, standard series

Product range overview


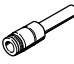
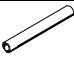
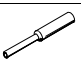
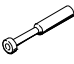


FESTO

Design	Version	Type	Connection D1					Connection D2		→ Page/ Internet
			M thread	R thread	G thread	Tubing O.D.	Push-in sleeve Ø	Tubing O.D.	Push-in sleeve Ø	
Straight design	Push-in fitting – Male thread with external hex									
		QS	–	R ¹ / ₈	G ¹ / ₈	–	–	4, 6, 8, 10 ¹⁾	–	36
				R ¹ / ₄	G ¹ / ₄			4 ¹⁾ , 6, 8, 10, 12		
				R ³ / ₈	G ³ / ₈			6 ¹⁾ , 8, 10, 12, 16		
				R ¹ / ₂	G ¹ / ₂			10 ¹⁾ , 12, 16		
				–	G ³ / ₄			22		
										38
	Push-in fitting – Male thread with internal hex									
		QS-...-I	–	R ¹ / ₈	G ¹ / ₈	–	–	4, 6, 8, 10	–	39
				R ¹ / ₄	G ¹ / ₄			6, 8, 10, 12 ¹⁾		
				R ³ / ₈	G ³ / ₈			8, 10, 12		
				R ¹ / ₂	G ¹ / ₂			10 ¹⁾ , 12		
	Push-in fitting – Female thread with external hex									
		QSF	–	–	G ¹ / ₈	–	–	4, 6, 8	–	41
					G ¹ / ₄			4, 6, 8, 10, 12		
					G ³ / ₈			6, 8, 10, 12		
					G ¹ / ₂			12, 16		
	Push-in connector									
		QS	–	–	–	4	–	4	–	42
					6		6			
					8		8			
					10		10			
					12		12			
					16		16			
	QS Reducing	–	–	–	6	–	4	–	42	
					8		4, 6			
					10		6, 8			
					12		8, 10			
Push-in bulkhead connector										
	QSS	–	–	–	4	–	–	–	43	
					6					
					8					
					10					
					12					
Push-in bulkhead connector with fixed collar										
	QSS-...-F	–	–	–	4	–	–	–	43	
					6					
					8					
					10					
					12					
Push-in bulkhead fitting with female thread										
	QSSF	–	–	G ¹ / ₈	–	–	4, 6, 8	–	44	
				G ¹ / ₄			4, 6, 8, 10			
				G ³ / ₈			6, 8, 10, 12			
				G ¹ / ₂			12, 16			

1) Only in conjunction with R thread

Push-in fittings QS, standard series







Product range overview

Design	Version	Type	Connection D1				Connection D2			→ Page/ Internet
			M thread	R thread	G thread	Tubing O.D.	Push-in sleeve Ø	Tubing O.D.	Push-in sleeve Ø	
Straight design	Push-in cap									
		QSC	-	-	-	4 6 8 10 12	-	-	-	45
	Push-in connector with sleeve									
		QS-...H	-	-	-	-	6 8 10 12	4 4, 6 6, 8 6, 8, 10	-	45
	Push-in sleeve									
		QSH	-	-	-	-	4 6 8 10 12 16	-	-	47
		QSH Reducing	-	-	-	-	6 8 10 12 16	-	4 4, 6 6, 8 8, 10 12	47
	Blanking plug									
		QSC-...H	-	-	-	-	4 6 8 10 12 16	-	-	48
	Multiple distributor, orientable, 4 outlets									
		QSQ	-	R ¹ / ₈ R ¹ / ₄	G ¹ / ₈ G ¹ / ₄	-	-	4, 6 4, 6	-	qsq
		QSQ Reducing	-	-	-	6 8	-	4 6	-	qsq

Push-in fittings QS, standard series

Product range overview

FESTO




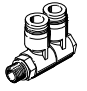
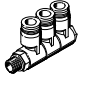


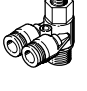
Design	Version	Type	Connection D1					Connection D2		→ Page/ Internet
			M thread	R thread	G thread	Tubing O.D.	Push-in sleeve Ø	Tubing O.D.	Push-in sleeve Ø	
L-shape	Push-in L-fitting, orientable – Male thread with external hex									
		QSL	–	R ¹ / ₈ R ¹ / ₄ R ³ / ₈ R ¹ / ₂	G ¹ / ₈ G ¹ / ₄ G ³ / ₈ G ¹ / ₂	–	–	4, 6, 8, 10 ¹⁾ 4 ¹⁾ , 6, 8, 10, 12 6 ¹⁾ , 8, 10, 12, 16 10 ¹⁾ , 12, 16	–	49
	Push-in long L-fitting, orientable – Male thread with external hex									
		QSLL	–	R ¹ / ₈ R ¹ / ₄ R ³ / ₈ R ¹ / ₂	G ¹ / ₈ G ¹ / ₄ G ³ / ₈ G ¹ / ₂	–	–	4, 6, 8 4 ¹⁾ , 6, 8, 10, 12 ²⁾ 6 ¹⁾ , 8, 10, 12 10 ¹⁾ , 12, 16 ²⁾	–	51
	Push-in L-fitting – Female thread with external hex									
		QSLF	–	–	G ¹ / ₈ G ¹ / ₄ G ³ / ₈	–	–	4, 6, 8 6, 8, 10 8, 10	–	53
	Push-in L-fitting, orientable – Male thread with internal hex									
		QSLV-...-I	–	R ¹ / ₈ R ¹ / ₄ R ³ / ₈ R ¹ / ₂	G ¹ / ₈ G ¹ / ₄ G ³ / ₈ G ¹ / ₂	–	–	6, 8 6, 8, 10 8, 10, 12 12	–	54
	Push-in L-fitting, orientable – Male thread with external hex									
		QSLV	M5 –	– R ¹ / ₈ R ¹ / ₄ R ³ / ₈ R ¹ / ₂	– G ¹ / ₈ G ¹ / ₄ G ³ / ₈ G ¹ / ₂	– –	– –	6 4, 6, 8 6, 8, 10 8, 10, 12 12, 16	– –	55
Push-in L-connector										
	QSL	–	–	–	4 6 8 10 12 16	–	–	–	57	

1) Only in conjunction with R thread

2) Only in conjunction with G thread

Push-in fittings QS, standard series

Product range overview

Design	Version	Type	Connection D1				Connection D2			→ Page/ Internet
			M thread	R thread	G thread	Tubing O.D.	Push-in sleeve Ø	Tubing O.D.	Push-in sleeve Ø	
L-shape	Push-in L-connector with sleeve									
		QSL-...H	–	–	–	–	4 6 8 10 12	4 6 8 10 12	–	58
		QSL-...H Reducing	–	–	–	–	6 8 10 12	4 6 8 10	–	58
		QSL-...HL Long push-in sleeve	–	–	–	–	4 6 8 10 12	4 6 8 10 12	–	58
	Multiple distributor, orientable, 2 outlets									
		QSLV2	–	R ¹ / ₈ R ¹ / ₄ R ³ / ₈ R ¹ / ₂	G ¹ / ₈ G ¹ / ₄ G ³ / ₈ G ¹ / ₂	–	–	4, 6, 8 6, 8, 10 8, 10, 12 12	–	qslv
	Multiple distributor, orientable, 3 outlets									
		QSLV3	–	R ¹ / ₈ R ¹ / ₄ R ³ / ₈ R ¹ / ₂	G ¹ / ₈ G ¹ / ₄ G ³ / ₈ G ¹ / ₂	–	–	4, 6, 8 6, 8, 10 8, 10, 12 12	–	qslv
	Multiple distributor, orientable, 4 outlets									
		QSLV4	–	R ¹ / ₈ R ¹ / ₄ R ³ / ₈ R ¹ / ₂	G ¹ / ₈ G ¹ / ₄ G ³ / ₈ G ¹ / ₂	–	–	4, 6, 8 6, 8, 10 8, 10, 12 12	–	qslv
	Multiple distributor, orientable, 6 outlets									
		QSLV6	–	R ¹ / ₈ R ¹ / ₄ R ³ / ₈ R ¹ / ₂	G ¹ / ₈ G ¹ / ₄ G ³ / ₈ G ¹ / ₂	–	–	4, 6, 8 6, 8, 10 8, 10, 12 12	–	qslv
	Multiple distributor, orientable, 3 outlets – Male and female thread with external hex									
		QSYTF	–	R ¹ / ₈ R ¹ / ₄ R ³ / ₈ R ¹ / ₂	G ¹ / ₈ G ¹ / ₄ G ³ / ₈ G ¹ / ₂	–	–	6 8 10 12	–	qsytf

Push-in fittings QS, standard series

Product range overview



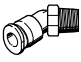





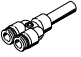

Design	Version	Type	Connection D1				Connection D2		Connection D3	→ Page/ Internet
			R thread	G thread	Tubing O.D.	Push-in sleeve Ø	Tubing O.D.	Push-in sleeve Ø	Tubing O.D.	
L-shape	Multiple distributor, orientable, 4 outlets									
		QST3	R 1/8	G 1/8	-	-	6	-	4	qst
			R 1/4	G 1/4			8		6	
			R 3/8	G 3/8			10		8	
		QST3 Reducing	-	-	6	-	6	-	4	qst
			-	-	8		8		6	
-			-	10	10		8			

Design	Version	Type	Connection D1				Connection D2		→ Page/ Internet	
			M thread	R thread	G thread	Tubing O.D.	Push-in sleeve Ø	Tubing O.D.		Push-in sleeve Ø
T-shape	Push-in T-fitting, orientable – Male thread with external hex									
		QST	-	R 1/8	G 1/8	-	-	4, 6, 8, 10 ¹⁾	-	59
			R 1/4	G 1/4	4 ¹⁾ , 6, 8, 10, 12					
			R 3/8	G 3/8	6 ¹⁾ , 8, 10, 12, 16					
			R 1/2	G 1/2	10, ¹⁾ 12, 16					
	Push-in T-connector									
		QST	-	-	-	4	-	4	-	61
			-	-	-	6		6		
			-	-	-	8		8		
			-	-	-	10		10		
			-	-	-	12		12		
		QST Reducing	-	-	-	6	-	4	-	61
			-	-	-	8		4, 6		
			-	-	-	10		6, 8		
			-	-	-	12		8, 10		
-			-	-	16	12				
Push-in T-fitting, orientable – Male and female thread with external hex										
	QSTF	-	R 1/8	G 1/8	-	-	4, 6, 8	-	62	
		R 1/4	G 1/4	6, 8, 10						
		R 3/8	G 3/8	8, 10, 12						
		R 1/2	G 1/2	12						
Push-in T-fitting, orientable – Male thread with external hex										
	QSTL	-	R 1/8	G 1/8	-	-	4, 6, 8	-	63	
		R 1/4	G 1/4	6, 8, 10						
		R 3/8	G 3/8	8, 10, 12						
		R 1/2	G 1/2	12, 16						

1) Only in conjunction with R thread

Push-in fittings QS, standard series



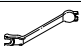
Product range overview

Design	Version	Type	Connection D1				Connection D2			→ Page/ Internet		
			M thread	R thread	G thread	Tubing O.D.	Push-in sleeve Ø	Tubing O.D.	Push-in sleeve Ø			
Angled design	Push-in fitting, orientable – Male thread with external hex											
		QSW	-	R1/8	-	-	-	-	4, 6, 8	-	65	
				R1/4					6, 8, 10			
				R3/8					10, 12			
				R1/2					12, 16			
	Push-in connector with sleeve											
		QSW-HL	-	-	-	-	-	-	4	-	66	
									6			
									8			
									10			
	12											
X-shape	Push-in X-connector											
		QSX	-	-	-	-	-	-	-	-	66	
												8
												10
	12											
Y-shape	Push-in Y-fitting, orientable – Male thread with external hex											
		QSY	M5	-	-	-	-	-	4, 6	-	67	
				R1/8					G1/8			4, 6, 8
				R1/4					G1/4			4 ¹ , 6, 8, 10
				R3/8					G3/8			8, 10, 12
				R1/2					G1/2			10 ¹ , 12
	Push-in Y-connector											
		QSY	-	-	-	-	-	-	4	-	69	
									6			
									8			
									10			
									12			
									16			
		QSY Reducing	-	-	-	-	-	-	6	-	69	
									8			
									10			
									12			
									16			
Push-in Y-connector with sleeve												
	QSY-...H(-B)	-	-	-	-	-	-	4	-	70		
								6				
								8				
								10				
								12				
	QSY-...H(-B) Reducing	-	-	-	-	-	-	6	-	70		
								8				
								10				
								12				

Push-in fittings QS, standard series

Product range overview

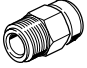







Design	Version	Type	Connection D1					Connection D2		→ Page/ Internet
			M thread	R thread	G thread	Tubing O.D.	Push-in sleeve Ø	Tubing O.D.	Push-in sleeve Ø	
Y-shape	Push-in Y-fitting, orientable – Male thread with external hex									
		QSYL	–	R $\frac{1}{8}$ R $\frac{1}{4}$ R $\frac{3}{8}$ R $\frac{1}{2}$	G $\frac{1}{8}$ G $\frac{1}{4}$ G $\frac{3}{8}$ G $\frac{1}{2}$	–	–	4, 6, 8 6, 8, 10 8, 10, 12 12	–	71
Y-shape	Push-in Y-fitting, orientable – Male thread with external hex									
		QSYLV	–	R $\frac{1}{8}$ R $\frac{1}{4}$ R $\frac{3}{8}$ R $\frac{1}{2}$	G $\frac{1}{8}$ G $\frac{1}{4}$ G $\frac{3}{8}$ G $\frac{1}{2}$	–	–	6 8 10 12	–	72
Release tool	Quick-release tool for QS push-in fittings and connectors									
		QSO	–							

1) Only in conjunction with R thread

Push-in fittings QS-V0, weld spatter resistant

Product range overview

Design	Version	Type	Connection D1					Connection D2		→ Page/ Internet
			M thread	R thread	G thread	Tubing O.D.	Push-in sleeve Ø	Tubing O.D.	Push-in sleeve Ø	
To UL94 V-0 – For plastic tubing PAN/PUN-V0										
Straight design	Push-in fitting – Male thread with external hex									
		QS-V0	–	R ¹ / ₈ R ¹ / ₄ R ³ / ₈ R ¹ / ₂	G ¹ / ₈ G ¹ / ₄ G ³ / ₈ G ¹ / ₂	–	–	4 ¹⁾ , 6, 8 6, 8, 10, 12 8, 10, 12 10, 12	–	73
Push-in connector										
	QS-V0	–	–	–	4 6 8 10 12	–	–	–	–	74
L-shape	Push-in L-fitting – Male thread with external hex									
		QSL-V0	–	R ¹ / ₈ R ¹ / ₄ R ³ / ₈ R ¹ / ₂	G ¹ / ₈ G ¹ / ₄ G ³ / ₈ G ¹ / ₂	–	–	4 ¹⁾ , 6, 8 6, 8, 10, 12 8, 10, 12 10, 12	–	75
Push-in L-connector										
	QSL-V0	–	–	–	4 6 8 10 12	–	–	–	–	76
T-shape	Push-in T-fitting – Male thread with external hex									
		QST-V0	–	R ¹ / ₈ R ¹ / ₄ R ³ / ₈ R ¹ / ₂	G ¹ / ₈ G ¹ / ₄ G ³ / ₈ G ¹ / ₂	–	–	4 ¹⁾ , 6, 8 6, 8, 10, 12 8, 10, 12 10, 12	–	77
Push-in T-connector										
	QST-V0	–	–	–	4 6 8 10 12	–	–	–	–	78

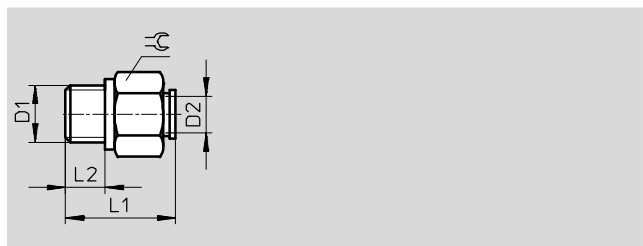
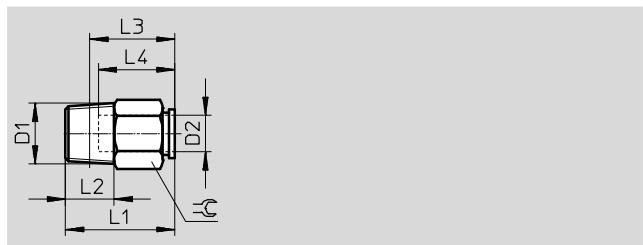
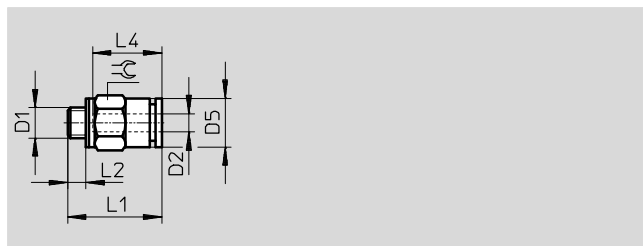
1) Only in conjunction with R thread

Push-in fittings QSM, mini series

Technical data

Push-in fitting QSM

Male thread with external hex



Dimensions and ordering data												
Connection	Nominal size	Tubing O.D.	D5	L1	L2	L3	L4	⊘	Weight/ piece	Part No.	Type	PU ¹⁾
D1	[mm]	D2	∅						[g]			
Metric thread with sealing ring												
M3	0.9	2	4.8	12.1	2.5	-	8.4	5	1	133027	QSM-M3-2	10
		3	7	13.3	2.5	-	9.6	5.5	1.1	153301	QSM-M3-3	10
	1.1	4	9.8	15.7	2.5	-	11.5	8	2.4	★ 153303	QSM-M3-4	10
										130775	QSM-M3-3-100	100
										130776	QSM-M3-4-100	100
M5	1.1	2	4.8	11.8	3	-	8.4	7	2.2	133028	QSM-M5-2	10
		3	9.8	16.2	3	-	11.5	8	3.4	153302	QSM-M5-3	10
	2.2	4	9.8	16.2	3	-	11.5	8	3.2	★ 153304	QSM-M5-4	10
										130777	QSM-M5-3-100	100
										130778	QSM-M5-4-100	100
2.1	6	11.8	17.3	3	-	12	10	4.5	★ 153306	QSM-M5-6	10	
130779	QSM-M5-6-100	100										
M6	2.8	6	11.8	18	3.9	-	11.7	10	4.8	★ 132600	QSM-M6-6	10
R thread												
R ¹ / ₈	2.9	4	-	16	8	12	11.5	10	6	★ 153305	QSM- ¹ / ₈ -4	10
										130755	QSM- ¹ / ₈ -4-100	100
	4.5	6	-	18	8	14	12	10	6	★ 153307	QSM- ¹ / ₈ -6	10
										130756	QSM- ¹ / ₈ -6-100	100
G thread with sealing ring												
G ¹ / ₈	2.9	4	-	16.4	5.1	-	-	13	9.4	★ 186264	QSM-G ¹ / ₈ -4	10
	2.8	6	-	18.4	5.1	-	-	13	11	★ 186265	QSM-G ¹ / ₈ -6	10

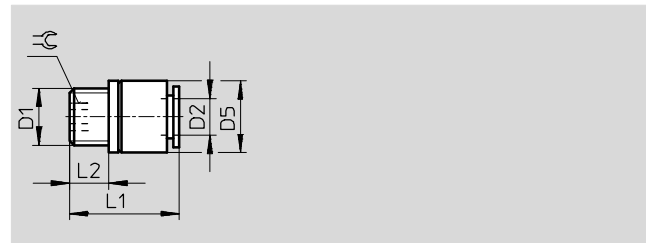
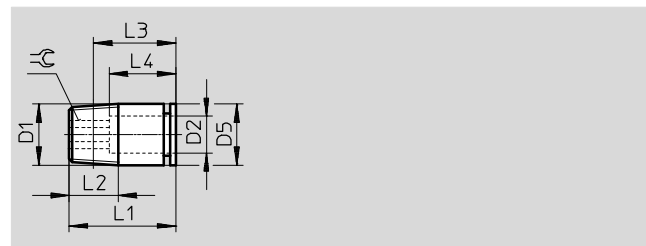
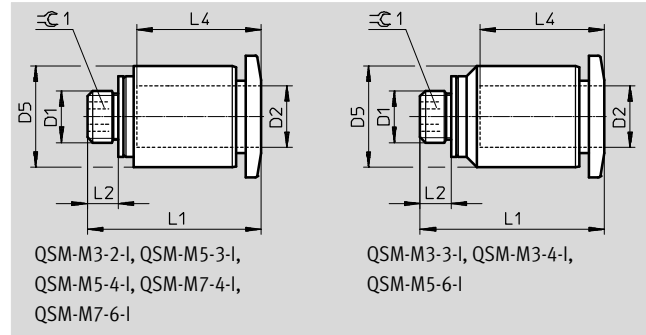
1) Packaging unit quantity

Festo core product range ★ Generally ready for shipping ex works in 24 hours
☆ Generally ready for shipping ex works in 5 days

Push-in fittings QSM, mini series

Technical data

Push-in fitting QSM-...-I
Male thread with internal hex



Dimensions and ordering data												
Connection	Nominal size [mm]	Tubing O.D. D2	D5 Ø	L1	L2	L3	L4	⌀	Weight/ piece [g]	Part No.	Type	PU ¹⁾
Metric thread with sealing ring												
M3	1.1	2	5	12.1	2.5	-	8.4	1.3	0.8	133026	QSM-M3-2-I	10
	1.6	3	8	15.7	2.5	-	11.5	1.5	2.3	153312	QSM-M3-3-I	10
	1.5	4	8	15.7	2.5	-	11.5	1.5	2.2	★ 153314	QSM-M3-4-I	10
M5	1.9	3	8	16.2	3	-	11.5	2	3.2	153313	QSM-M5-3-I	10
	2.5	4	8	16.2	3	-	11.5	2.5	3	★ 153315	QSM-M5-4-I	10
	2.6	6	9.8	17.8	3	-	12	2.5	4.4	★ 153317	QSM-M5-6-I	10
M7	3.1	4	9.8	18.9	5.5	-	11.5	3	6	★ 153319	QSM-M7-4-I	10
										133006	QSM-M7-4-I-100	100
	4.1	6	9.8	20.9	5.5	-	12	4	6.4	★ 153321	QSM-M7-6-I	10
R thread												
R ¹ / ₈	3.1	4	10	16.4	8	12.4	11.5	3	6.2	★ 153316	QSM-R ¹ / ₈ -4-I	10
	4.1	6	10	18.2	8	14.2	12.5	4	5.6	★ 153318	QSM-R ¹ / ₈ -6-I	10
G thread with sealing ring												
G ¹ / ₈	3.1	4	13	16.4	5.1	-	-	3	8.9	★ 186266	QSM-G ¹ / ₈ -4-I	10
	4.1	6	13	18.4	5.1	-	-	4	9.5	★ 186267	QSM-G ¹ / ₈ -6-I	10

1) Packaging unit quantity

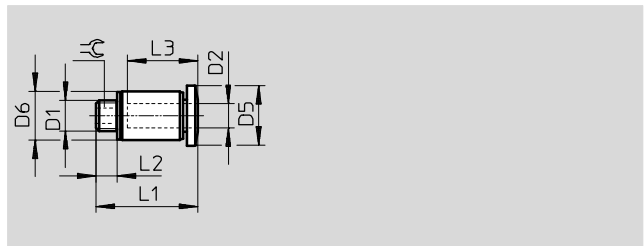
Festo core product range
 ★ Generally ready for shipping ex works in 24 hours
 ☆ Generally ready for shipping ex works in 5 days

Push-in fittings QSM, mini series



Technical data

Push-in fitting QSM-....I-R
Male thread with internal hex
Round release ring



Dimensions and ordering data												
Connection	Nominal size [mm]	Tubing O.D. D2	D5 Ø	D6 Ø	L1	L2	L3	⌀	Weight/ piece [g]	Part No.	Type	PU ¹⁾
Metric thread with sealing ring, round release ring												
M3	1.6	3	6.0	5.5	13.3	2.5	9.6	1.5	2.3	133001	QSM-M3-3-I-R	10
										132914	QSM-M3-3-I-R-100	100
	1.5	4	7.8	8.0	15.7	2.5	11.5	1.5	2.2	133002	QSM-M3-4-I-R	10
										132915	QSM-M3-4-I-R-100	100
M5	1.9	3	7.8	8.0	16.2	3.0	11.5	2.0	3.2	133003	QSM-M5-3-I-R	10
										132916	QSM-M5-3-I-R-100	100
	2.5	4	7.8	8.0	16.2	3.0	11.5	2.5	3	133004	QSM-M5-4-I-R	10
										132917	QSM-M5-4-I-R-100	100
	2.6	6	9.8	9.8	17.8	3.0	12	2.5	4.4	133005	QSM-M5-6-I-R	10
										132918	QSM-M5-6-I-R-100	100
M7	4.1	6	9.8	9.8	20.9	5.5	12	4.0	6.4	133007	QSM-M7-6-I-R	10
										132919	QSM-M7-6-I-R-100	100

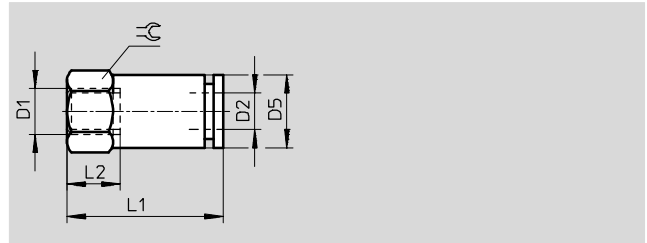
1) Packaging unit quantity


Push-in fittings QSM, mini series

Technical data

Push-in fitting QSMF

Female thread with external hex

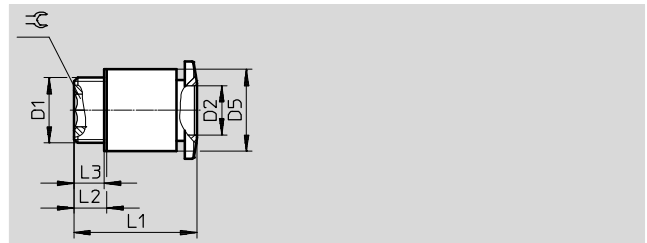




Dimensions and ordering data										
Connection	Nominal size [mm]	Tubing O.D. D2	D5 Ø	L1	L2		Weight/ piece [g]	Part No.	Type	PU ¹⁾
Metric thread with sealing ring										
M3	1.3	3	5.5	13.9	4.4	5.5	1.6	153308	QSMF-M3-3	10
	2.1	4	8	16	4.5	8	4.1	153310	QSMF-M3-4	10
M5	1.9	3	8	15.5	4.5	8	4.3	153309	QSMF-M5-3	10
	1.8	4	8	18.2	4.5	8	4.5	153311	QSMF-M5-4	10

1) Packaging unit quantity

Push-in fitting QSMP

Male thread with internal hex



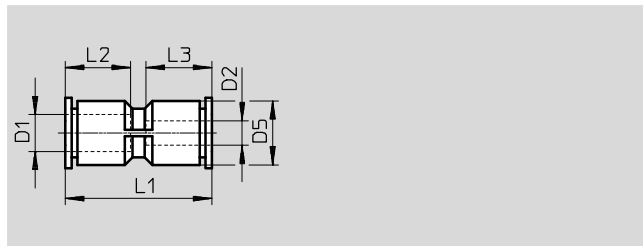
Dimensions and ordering data											
Connection	Nominal size [mm]	Tubing O.D. D2	D5 Ø	L1	L2	L3		Weight/ piece [g]	Part No.	Type	PU ¹⁾
Metric thread with sealing ring											
M6x0.75	2.5	4	8	14.6	3.5	3	2.5	2.7	153320	QSMP-M6X0.75-4	10
M8x0.75	4	6	10	15.1	4	3.4	4	3.7	153322	QSMP-M8X0.75-6	10
M8x1.25	4	6	10	19.1	7	6.4	4	4.7	154434	QSMP-M8X1.25-6 	10

1) Packaging unit quantity

Push-in fittings QSM, mini series

Technical data

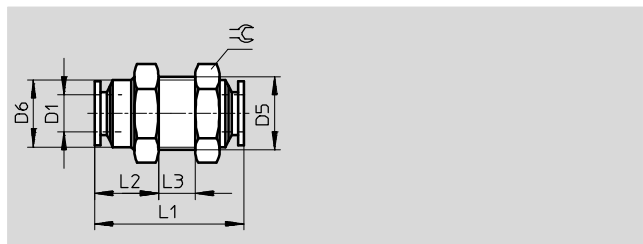
Push-in connector QSM



Dimensions and ordering data										
Tubing O.D. D1	Nominal size [mm]	Tubing O.D. D2	D5 Ø	L1	L2	L3	Weight/ piece [g]	Part No.	Type	PU ¹⁾
3	1.9	3	6	20	9.5	9.5	1.5	153323	QSM-3	10
								130757	QSM-3-100	100
4	2.6	4	8	23.5	11.5	11.5	2	★ 153324	QSM-4	10
								130758	QSM-4-100	100
6	3.7	6	10.5	25	12	12	4	★ 153325	QSM-6	10
								130759	QSM-6-100	100
Reducing										
3	1.1	2	6	19.1	9.3	8.4	1	133029	QSM-3-2	10
4	1.7	3	8	23.9	11.6	11.6	2.1	★ 153326	QSM-4-3	10
								130760	QSM-4-3-100	100
6	2.7	4	10.4	24.9	11.6	11.6	3	★ 153327	QSM-6-4	10
								130761	QSM-6-4-100	100

1) Packaging unit quantity

Push-in bulkhead connector QSMS



Dimensions and ordering data											
Tubing O.D. D1	Nominal size [mm]	D5	D6 Ø	L1	L2	L3 max.	≅	Weight/ piece [g]	Part No.	Type	PU ¹⁾
3	1.7	M8x0.75	7	19.5	7	7.5	10	3	153375	QSMS-3	10
4	2.2	M10x1	9	24	9.5	7.5	12	6	★ 153376	QSMS-4	10
									130780	QSMS-4-100	100
6	3.7	M12x1	11	25	11	6	14	9	★ 153377	QSMS-6	10
									130781	QSMS-6-100	100

1) Packaging unit quantity

Festo core product range

- ★ Generally ready for shipping ex works in 24 hours
- ☆ Generally ready for shipping ex works in 5 days

Push-in fittings QSM, mini series

Technical data

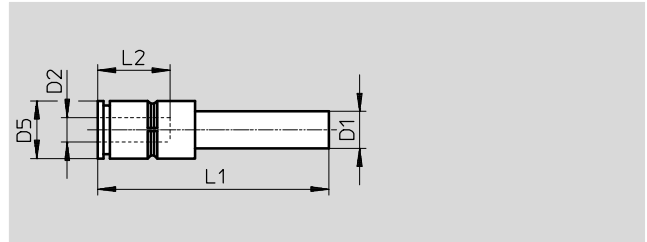
Push-in cap QSMC



Ordering data				
Tubing O.D.	Weight/piece [g]	Part No.	Type	PU ¹⁾
3	0.5	153381	QSMC-3	10

1) Packaging unit quantity

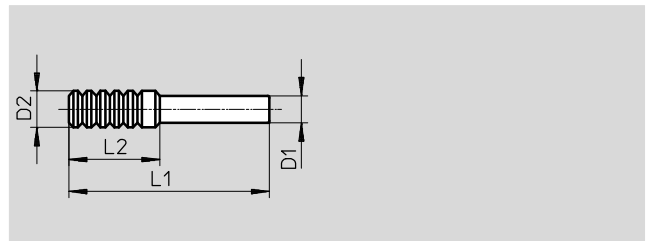
Push-in connector QSM-...H with push-in sleeve



Dimensions and ordering data									
Push-in sleeve Ø D1	Nominal size [mm]	Tubing O.D. D2	D5 Ø	L1	L2	Weight/piece [g]	Part No.	Type	PU ¹⁾
3	1.1	2	6	26.3	8.4	0.6	133035	QSM-3H-2	10
4	1.7	3	6	27	9.5	0.8	★ 153328	QSM-4H-3	10
							130762	QSM-4H-3-100	100
6	2.6	4	9	32.6	11.6	2.4	★ 153329	QSM-6H-4	10
							130763	QSM-6H-4-100	100

1) Packaging unit quantity

Blanking plug QSMC-...H



Dimensions and ordering data							
Push-in sleeve Ø D1	D2 Ø	L1	L2	Weight/piece [g]	Part No.	Type	PU ¹⁾
2	3	20	10.2	0.1	133036	QSMC-2H	10
3	4	22	10.2	0.2	153382	QSMC-3H	10

1) Packaging unit quantity

Festo core product range

- ★ Generally ready for shipping ex works in 24 hours
- ☆ Generally ready for shipping ex works in 5 days

Push-in fittings QSM, mini series

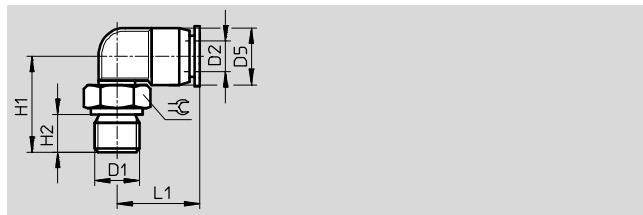
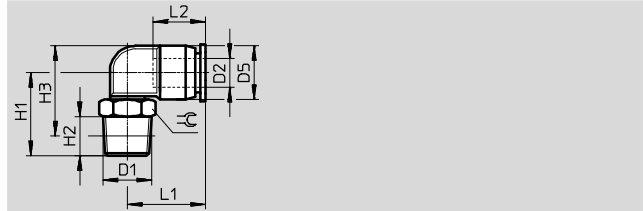
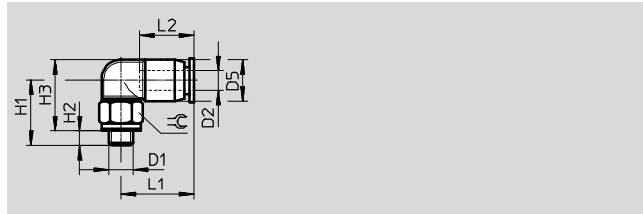
Technical data



Push-in L-fitting QSML

Orientable

Male thread with external hex



Dimensions and ordering data													
Connection	Nominal size	Tubing O.D.	D5	H1	H2	H3	L1	L2	≈	Weight/ piece	Part No.	Type	PU ¹⁾
D1	[mm]	D2	∅							[g]			
Metric thread with sealing ring													
M3	0.8	2	6	12	2.5	12.5	10.3	8.4	5.5	1.4	133030	QSML-M3-2	10
		3	6	12	2.5	12.5	11	9.5	5.5	1.4	153330	QSML-M3-3	10
	1.3	4	8	14	2.5	15.5	15.7	11.6	8	3	★ 153332	QSML-M3-4	10
			10.5	14.5	3	16.8	16.3	11.9	8	4.1	130769	QSML-M3-4-100	100
M5	0.9	2	6	13.5	3	13.5	10.3	8.4	8	2.7	133031	QSML-M5-2	10
	1.5	3	6	13.5	3	13.5	11	9.5	8	2.8	153331	QSML-M5-3	10
			8	13.5	3	14.5	15.7	11.6	8	3.4	★ 153333	QSML-M5-4	10
	2.1	6	10.5	14.5	3	16.8	16.3	11.9	8	4.1	★ 153335	QSML-M5-6	10
			13	13.5	3	14.5	15.7	11.6	8	3.4	130771	QSML-M5-4-100	100
M7	2	4	8	17	5.5	15.5	15.7	11.6	10	5.6	★ 186352	QSML-M7-4	10
			10.5	14.5	3	16.8	16.3	11.9	8	4.1	130772	QSML-M5-6-100	100
	2.4	6	10.5	19	5.5	18.8	16.3	11.9	10	6.2	★ 186353	QSML-M7-6	10
											130774	QSML-M7-6-100	100
R thread													
R ¹ / ₈	2.5	4	8.5	16	8	16.3	16	11.5	10	6	★ 153334	QSML- ¹ / ₈ -4	10
			11	17	8	18.5	16.5	12	10	7	130764	QSML- ¹ / ₈ -4-100	100
	3.3	6	11	17	8	18.5	16.5	12	10	7	★ 153336	QSML- ¹ / ₈ -6	10
											130765	QSML- ¹ / ₈ -6-100	100
G thread with sealing ring													
G ¹ / ₈	2.5	4	8	16.5	5.1	-	15.7	-	13	9	★ 186268	QSML-G ¹ / ₈ -4	10
			10.5	17.5	5.1	-	16.3	-	13	9.7	132897	QSML-G ¹ / ₈ -4-100	100
	3.3	6	10.5	17.5	5.1	-	16.3	-	13	9.7	★ 186269	QSML-G ¹ / ₈ -6	10

1) Packaging unit quantity

Festo core product range

★ Generally ready for shipping ex works in 24 hours

☆ Generally ready for shipping ex works in 5 days

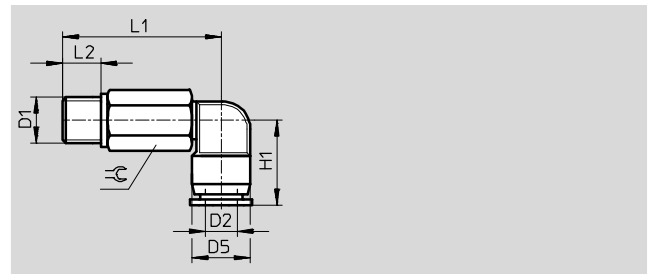
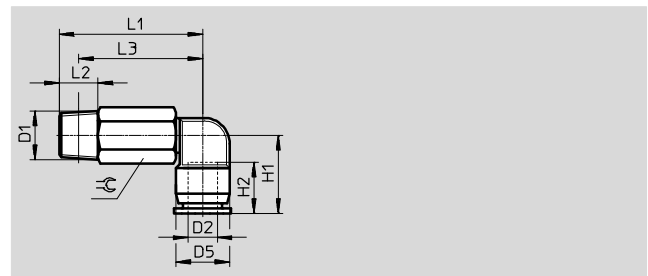
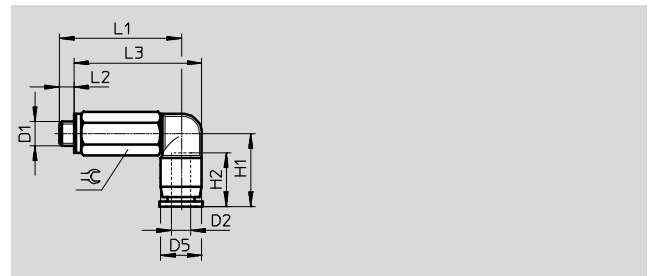
Push-in fittings QSM, mini series

Technical data

Push-in long L-fitting QSMLL

Orientable

Male thread with external hex



Dimensions and ordering data													
Connection	Nominal size [mm]	Tubing O.D. D2	D5 Ø	H1	H2	L1	L2	L3	≈	Weight/ piece [g]	Part No.	Type	PU ¹⁾
Metric thread with sealing ring													
M3	0.8	2	6	10.3	8.4	19	2.5	19.5	5.5	2.7	133032	QSMLL-M3-2	10
	0.9	3	6	11	9.5	19	2.5	19.5	5.5	2.8	153337	QSMLL-M3-3	10
											133011	QSMLL-M3-3-100	100
	1.1	4	8	15.7	11.6	23	2.5	24.5	8	6.8	153338	QSMLL-M3-4	10
M5	0.9	2	6	10.3	8.4	25	3	25	8	7,6	133033	QSMLL-M5-2	10
	1.5	3	6	11	9.5	25	3	25	8	7,7	130838	QSMLL-M5-3	10
											133012	QSMLL-M5-3-100	100
	2	4	8	15.7	11.6	25	3	26	8	8.3	153339	QSMLL-M5-4	10
											133013	QSMLL-M5-4-100	100
M7	2	4	8	15.7	11.6	29.5	5.5	28	10	14	153341	QSMLL-M5-6	10
											186354	QSMLL-M7-4	10
											133014	QSMLL-M7-4-100	100
	2.4	6	10.5	16.3	11.9	31.5	5.5	31.3	10	14	186355	QSMLL-M7-6	10
R thread													
R ¹ / ₈	2.3	4	8.5	15.5	11.5	28.5	8	22	10	13	153340	QSMLL- ¹ / ₈ -4	10
	3.1	6	11	16.5	12	29.5	8	25.5	10	14	153342	QSMLL- ¹ / ₈ -6	10
G thread with sealing ring													
G ¹ / ₈	2.3	4	8	15.7	-	29	5.1	-	13	23	186270	QSMLL-G ¹ / ₈ -4	10
	3.1	6	10.5	16.3	-	30	5.1	-	13	23	186271	QSMLL-G ¹ / ₈ -6	10

1) Packaging unit quantity

Push-in fittings QSM, mini series

Technical data

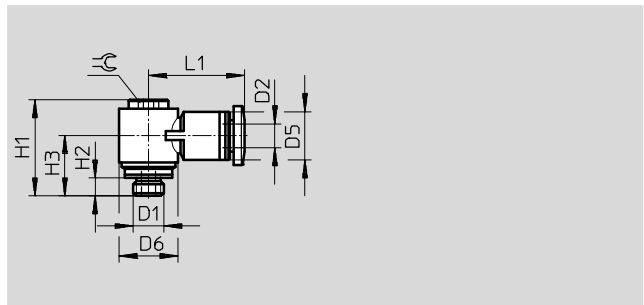
Push-in L-fitting QSMLV-...-I

Orientable

Male thread with internal hex



M thread



Dimensions and ordering data													
Connection	Nominal size [mm]	Tubing O.D. D2	D5 Ø	D6 Ø	H1	H2	H3	L1	≅	Weight/piece [g]	Part No.	Type	PU ¹⁾
Metric thread with sealing ring													
M5	1.7	3	8	9.8	16.5	3.5	10.5	16	3	5.1	130830	QSMLV-M5-3-I	10
	1.8	4	8	9.8	16.5	3.5	10.5	16	3	5.0	130831	QSMLV-M5-4-I	10
M7	1.9	4	8	9.8	18.5	5.5	12.5	16	3	5.6	130832	QSMLV-M7-4-I	10
	1.8	6	10.5	9.8	18.5	5.5	12.5	17.8	3	6.2	130833	QSMLV-M7-6-I	10

1) Packaging unit quantity

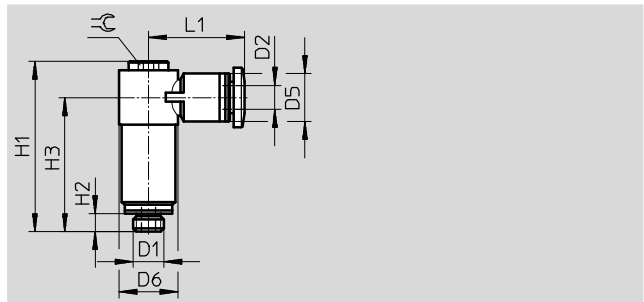
Push-in long L-fitting QSMLLV-...-I

Orientable

Male thread with internal hex



M thread



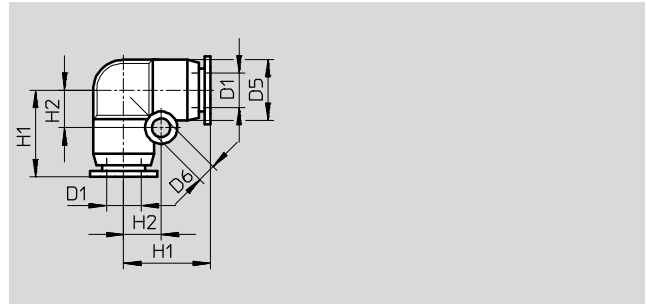
Dimensions and ordering data													
Connection	Nominal size [mm]	Tubing O.D. D2	D5 Ø	D6 Ø	H1	H2	H3	L1	≅	Weight/piece [g]	Part No.	Type	PU ¹⁾
Metric thread with sealing ring													
M5	1.6	3	8	9.8	28.3	3.5	22.3	16	3	10.9	130834	QSMLLV-M5-3-I	10
	1.8	4	8	9.8	28.3	3.5	22.3	16	3	10.9	130835	QSMLLV-M5-4-I	10
M7	1.9	4	8	9.8	30.3	5.5	24.3	16	3	11.8	130836	QSMLLV-M7-4-I	10
	1.9	6	10.5	9.8	30.3	5.5	24.3	17.8	3	12.4	130837	QSMLLV-M7-6-I	10

1) Packaging unit quantity

Push-in fittings QSM, mini series

Technical data

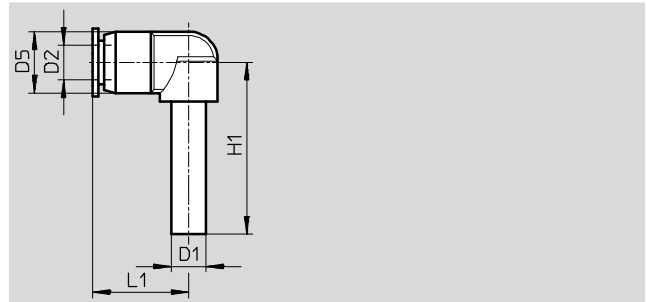
Push-in L-connector QSML



Dimensions and ordering data									
Tubing O.D.	Nominal size	D5	D6	H1	H2	Weight/ piece	Part No.	Type	PU ¹⁾
D1	[mm]	∅	∅			[g]			
3	1.7	6	3.2	11	4.5	1.5	153343	QSML-3	10
4	2.5	8	3.2	13.5	5.5	2	★ 153344	QSML-4	10
							130766	QSML-4-100	100
6	3.4	10.5	3.2	15.5	6.5	4	★ 153345	QSML-6	10
							130767	QSML-6-100	100

1) Packaging unit quantity

Push-in L-connector QSML-...H with push-in sleeve



Dimensions and ordering data									
Push-in sleeve ∅	Nominal size	Tubing O.D.	D5	H1	L1	Weight/ piece	Part No.	Type	PU ¹⁾
D1	[mm]	D2	∅			[g]			
3	1.2	3	9	24	14.7	1.7	153346	QSML-3H	10
4	1.9	4	9	25	14.7	1.7	★ 153347	QSML-4H	10
							★ 153348	QSML-6H	10
Reducing									
4	1.7	3	9	25	14.7	1.7	★ 153349	QSML-4H-3	10
6	1.9	4	9	26	14.7	1.9	★ 153350	QSML-6H-4	10

1) Packaging unit quantity

Festo core product range

- ★ Generally ready for shipping ex works in 24 hours
- ☆ Generally ready for shipping ex works in 5 days

Push-in fittings QSM, mini series

Technical data

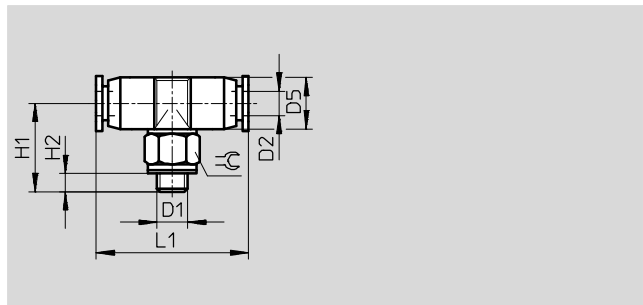
Push-in T-fitting QSMT

Orientable

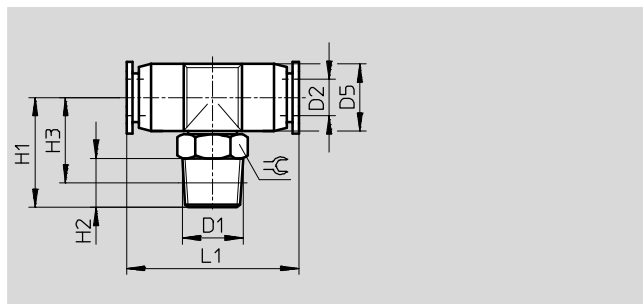
Male thread with external hex



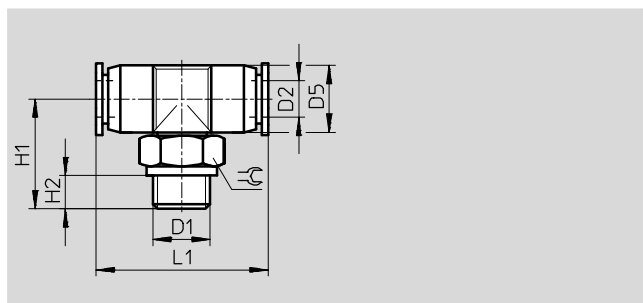
M thread



R thread



G thread



Dimensions and ordering data												
Connection	Nominal size	Tubing O.D.	D5	H1	H2	H3	L1	≈	Weight/ piece	Part No.	Type	PU ¹⁾
D1	[mm]	D2	∅						[g]			
Metric thread with sealing ring												
M3	0.9	3	6	12.8	3.3	–	22	5.5	2	153351	QSMT-M3-3	10
	1.3	4	8	15.8	3.3	–	26.2	8	4	153353	QSMT-M3-4	10
M5	1.6	3	6	14	3.5	–	22	8	3.3	153352	QSMT-M5-3	10
	2.2	4	8	15	3.5	–	26.2	8	4.4	153354	QSMT-M5-4	10
										130784	QSMT-M5-4-100	100
	2.1	6	10.5	16	3.5	–	28.4	8	5.6	153356	QSMT-M5-6	10
										130785	QSMT-M5-6-100	100
R thread												
R ¹ / ₈	2.4	4	8.5	17	8	13	27	10	7	153355	QSMT- ¹ / ₈ -4	10
	3.3	6	11	18	8	14	30	10	8	153357	QSMT- ¹ / ₈ -6	10
G thread with sealing ring												
G ¹ / ₈	2.4	4	8	17.5	5.1	–	26.2	13	10	186272	QSMT-G ¹ / ₈ -4	10
	3.3	6	10.5	18.5	5.1	–	28.4	13	12	186273	QSMT-G ¹ / ₈ -6	10

1) Packaging unit quantity

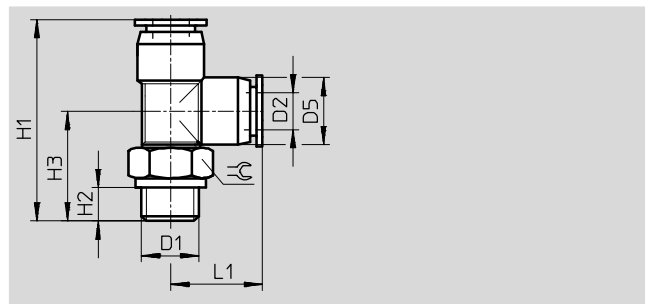
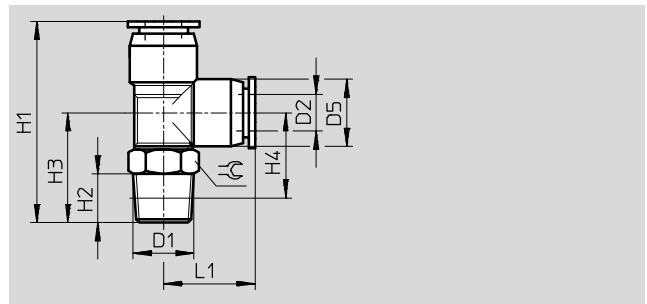
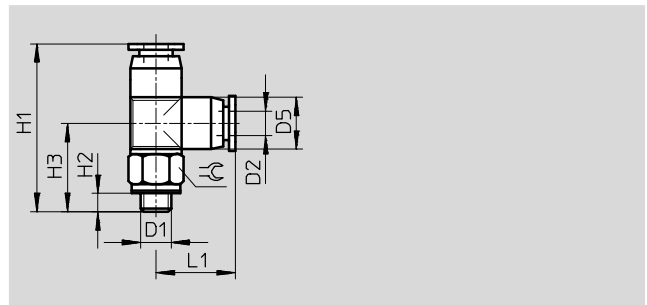
Push-in fittings QSM, mini series

Technical data

Push-in T-fitting QSMTL

Orientable

Male thread with external hex



Dimensions and ordering data													
Connection	Nominal size	Tubing O.D.	D5	H1	H2	H3	H4	L1	⊕	Weight/ piece	Part No.	Type	PU ¹⁾
D1	[mm]	D2	∅							[g]			
Metric thread with sealing ring													
M3	0.9	3	6	23.8	3.3	12.8	–	11	5.5	2	153358	QSMTL-M3-3	10
	1.1	4	8	29.5	3.3	15.8	–	13.7	8	4	153360	QSMTL-M3-4	10
M5	1.7	3	6	25	3.5	14	–	11	8	3.3	153359	QSMTL-M5-3	10
	1.6	4	8	28.7	3.5	15	–	13.7	8	4.4	153361	QSMTL-M5-4	10
	1.7	6	10.5	31.3	3.5	16	–	15.3	8	5.7	153363	QSMTL-M5-6	10
R thread													
R ¹ / ₈	2.4	4	8.5	30	8	17	13	13	10	7	153362	QSMTL- ¹ / ₈ -4	10
	3.3	6	10.5	33	8	18	14	15	10	8.5	153364	QSMTL- ¹ / ₈ -6	10
G thread with sealing ring													
G ¹ / ₈	2.4	4	8	31.2	5.1	17.5	–	13.7	13	10	186274	QSMTL-G ¹ / ₈ -4	10
	3.3	6	10.5	33.8	5.1	18.5	–	15.3	13	12	186275	QSMTL-G ¹ / ₈ -6	10

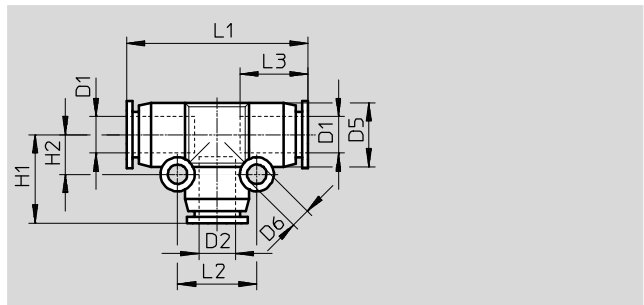
1) Packaging unit quantity

Push-in fittings QSM, mini series

Technical data



Push-in T-connector QSMT



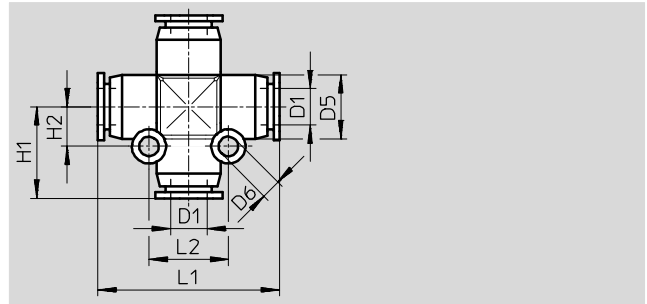
Dimensions and ordering data													
Tubing O.D. D1	Nominal size [mm]	Tubing O.D. D2	D5 ∅	D6 ∅	H1	H2	L1	L2	L3	Weight/ piece [g]	Part No.	Type	PU ¹⁾
2	0.9	2	6	3.2	10.3	4.5	20.5	9	8.4	1.6	133034	QSMT-2	10
3	1.6	3	6	3.2	11	4.5	22	9	9.5	1.7	153365	QSMT-3	10
4	2.4	4	8	3.2	13.7	5.6	27.3	11.2	11.6	3.3	★ 153366	QSMT-4	10
											130782	QSMT-4-100	100
6	3.4	6	10.5	3.2	15.3	6.6	30.5	13.2	11.9	5.3	★ 153367	QSMT-6	10
											130783	QSMT-6-100	100
Reducing													
4	1.7	3	8	3.2	13	5.5	27	11	11.5	3.5	★ 153368	QSMT-4-3	10
6	2.6	4	10.5	3.2	15	6.5	30	13	12	4	★ 153369	QSMT-6-4	10

1) Packaging unit quantity

Push-in fittings QSM, mini series

Technical data

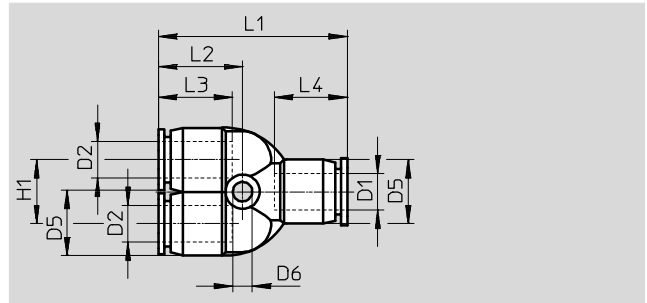
Push-in X-connector QSMX



Dimensions and ordering data											
Tubing O.D.	Nominal size	D5	D6	H1	H2	L1	L2	Weight/ piece	Part No.	Type	PU ¹⁾
D1	[mm]	∅	∅					[g]			
3	1.7	8	3.2	13.5	5.5	27	11	4	153378	QSMX-3	10
4	2.5	8	3.2	13.5	5.5	27	11	4	153379	QSMX-4	10
6	3.3	10.5	3.2	15.5	6.5	31	13	5	153380	QSMX-6	10

1) Packaging unit quantity

Push-in Y-connector QSMY



Dimensions and ordering data													
Tubing O.D.	Nominal size	Tubing O.D.	D5	D6	H1	L1	L2	L3	L4	Weight/ piece	Part No.	Type	PU ¹⁾
D1	[mm]	D2	∅	∅						[g]			
2	0.9	2	6	3.2	6.5	19.5	11.8	8.4	8.4	1.7	133037	QSMY-2	10
3	1.6	3	8	3.2	8	28.8	13.2	11.6	11.6	3.7	153370	QSMY-3	10
4	1.7	4	8	3.2	8	28.8	13.2	11.6	11.6	3.5	★ 153371	QSMY-4	10
											130786	QSMY-4-100	100
6	2.9	6	10.5	3.2	10.5	31.6	14.3	11.9	11.9	5.5	★ 153372	QSMY-6	10
											130787	QSMY-6-100	100
Reducing													
4	1.6	3	8	3.2	8	28.8	13.2	11.6	11.6	3.6	★ 153373	QSMY-4-3	10
6	2.3	4	10.5	3.2	10.5	31.5	14.2	11.6	11.9	5.3	★ 153374	QSMY-6-4	10

1) Packaging unit quantity

Festo core product range

- ★ Generally ready for shipping ex works in 24 hours
- ☆ Generally ready for shipping ex works in 5 days

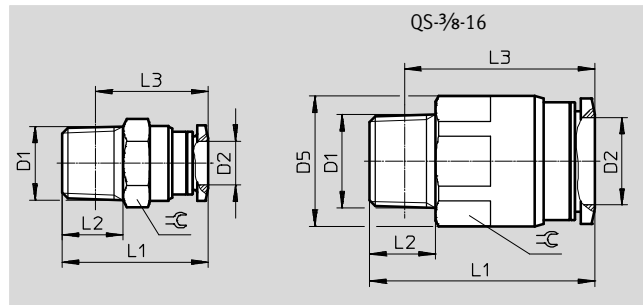
Push-in fittings QS, standard series



Technical data

Push-in fitting QS

Male thread with external hex



Dimensions and ordering data											
Connection	Nominal size	Tubing O.D.	D5	L1	L2	L3	≅	Weight/ piece	Part No.	Type	PU ¹⁾
D1	[mm]	D2						[g]			
R thread											
R ¹ / ₈	3	4	–	21	8	17	10	7.4	★ 153001	QS- ¹ / ₈ -4	10
									130674	QS- ¹ / ₈ -4-100	100
	5	6	–	22.3	8	18.3	12	8.2	★ 153002	QS- ¹ / ₈ -6	10
									130675	QS- ¹ / ₈ -6-100	100
R ¹ / ₈	6	8	–	27.9	8	23.9	14	14	★ 153004	QS- ¹ / ₈ -8	10
									130676	QS- ¹ / ₈ -8-50	50
	6	10	–	30.3	8	26.3	17	21	★ 190643	QS- ¹ / ₈ -10	10
									★ 190644	QS- ¹ / ₄ -4	10
R ¹ / ₄	3	4	–	22.5	11	16.5	14	16	★ 153003	QS- ¹ / ₄ -6	10
									130677	QS- ¹ / ₄ -6-100	100
	5	6	–	23.7	11	17.6	14	15	★ 153005	QS- ¹ / ₄ -8	10
									130678	QS- ¹ / ₄ -8-50	50
	7	8	–	26.6	11	20.6	14	14	★ 153007	QS- ¹ / ₄ -10	10
									130679	QS- ¹ / ₄ -10-50	50
R ³ / ₈	8.5	10	–	29.8	11	23.8	17	19	★ 164980	QS- ¹ / ₄ -12	10
									130680	QS- ¹ / ₄ -12-20	20
	8.5	12	–	35.9	11	29.9	21	37	★ 190645	QS- ³ / ₈ -6	10
									★ 153006	QS- ³ / ₈ -8	10
									130681	QS- ³ / ₈ -8-50	50
	9	10	–	29.3	12	23	17	24	★ 153008	QS- ³ / ₈ -10	10
								130682	QS- ³ / ₈ -10-50	50	
R ¹ / ₂	11	12	–	31.9	12	25.6	21	30	★ 153009	QS- ³ / ₈ -12	10
									130683	QS- ³ / ₈ -12-20	20
	11	16	23.8	41.1	12	34.8	22	50	164957	QS- ³ / ₈ -16	1
	9	10	–	30.4	15	22.2	21	46	★ 190646	QS- ¹ / ₂ -10	1
									133189	QS- ¹ / ₂ -10-50	50
	11	12	–	33.9	15	25.7	21	44	★ 153010	QS- ¹ / ₂ -12	1
								130684	QS- ¹ / ₂ -12-20	20	
R ¹ / ₂	13	16	–	41.3	15	33.1	24	63	153011	QS- ¹ / ₂ -16	1
									130685	QS- ¹ / ₂ -16-20	20

1) Packaging unit quantity

Festo core product range

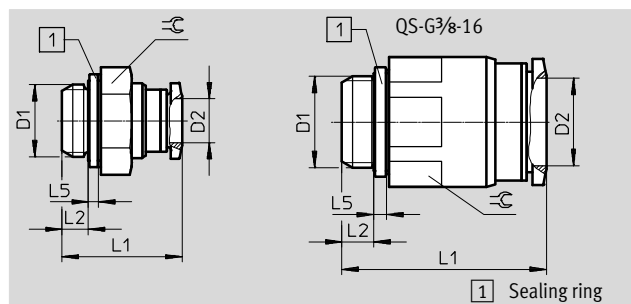
- ★ Generally ready for shipping ex works in 24 hours
- ☆ Generally ready for shipping ex works in 5 days

Push-in fittings QS, standard series

Technical data

Push-in fitting QS

Male thread with external hex



Dimensions and ordering data										
Connection	Nominal size [mm]	Tubing O.D.	L1	L2	L5	⌀	Weight/ piece [g]	Part No.	Type	PU ¹⁾
D1		D2								
G thread with sealing ring										
G ¹ / ₈	3	4	19.5	4.2	1.9	13	9.1	★ 186095	QS-G ¹ / ₈ -4	10
								132036	QS-G ¹ / ₈ -4-100	100
	5	6	20.6	4.2	1.9	13	8.3	★ 186096	QS-G ¹ / ₈ -6	10
								132037	QS-G ¹ / ₈ -6-100	100
6	8	25.8	4.2	1.9	14	13	★ 186098	QS-G ¹ / ₈ -8	10	
							132038	QS-G ¹ / ₈ -8-50	50	
G ¹ / ₄	5	6	21.2	4.8	1.9	17	17	★ 186097	QS-G ¹ / ₄ -6	10
								132039	QS-G ¹ / ₄ -6-100	100
	7	8	21.9	4.8	1.9	17	15	★ 186099	QS-G ¹ / ₄ -8	10
								132040	QS-G ¹ / ₄ -8-50	50
	8.5	10	28.9	4.8	1.9	17	21	★ 186101	QS-G ¹ / ₄ -10	10
132041								QS-G ¹ / ₄ -10-50	50	
8.5	12	34.1	4.8	1.9	21	39	★ 186350	QS-G ¹ / ₄ -12	10	
							132042	QS-G ¹ / ₄ -12-20	20	
G ³ / ₈	7	8	21.7	5.8	2.4	19	22	★ 186100	QS-G ³ / ₈ -8	10
								132043	QS-G ³ / ₈ -8-50	50
	9	10	25.4	5.8	2.4	19	22	★ 186102	QS-G ³ / ₈ -10	10
								132044	QS-G ³ / ₈ -10-50	50
11	12	31.5	5.8	2.4	21	33	★ 186103	QS-G ³ / ₈ -12	10	
							132045	QS-G ³ / ₈ -12-20	20	
11	16	37.3	5.8	2.4	22	45	186347	QS-G ³ / ₈ -16	1	
G ¹ / ₂	11	12	28	6.8	2.4	24	39	★ 186104	QS-G ¹ / ₂ -12	1
								132046	QS-G ¹ / ₂ -12-20	20
	13	16	35.3	6.8	2.4	24	51	186105	QS-G ¹ / ₂ -16	1
132047								QS-G ¹ / ₂ -16-20	20	

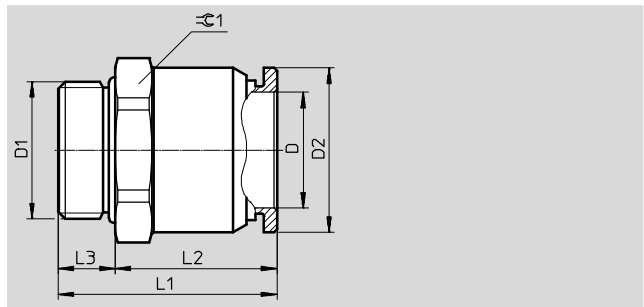
1) Packaging unit quantity

Push-in fittings QS, standard series

Technical data



Push-in fitting QS-G $\frac{3}{4}$ -22
Male thread with external hex



Dimensions and ordering data											
Connection	Nominal size [mm]	Tubing O.D.	D2 Ø	L1	L2	L3	≈ 1	Weight/ piece [g]	Part No.	Type	PU ¹⁾
D1		D									
G thread with sealing ring											
G $\frac{3}{4}$	20	22	31.6	42.1	31.1	11	32	93.2	8040613	QS-G$\frac{3}{4}$-22	1

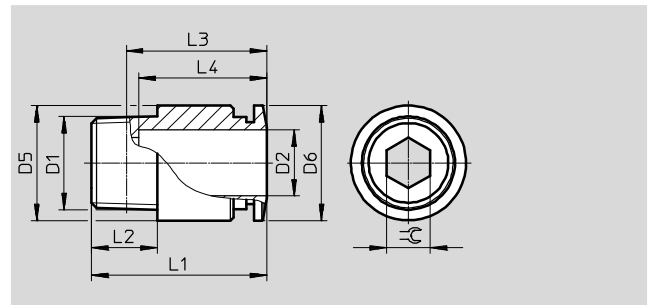
1) Packaging unit quantity

Push-in fittings QS, standard series

Technical data

Push-in fitting QS-...-I

Male thread with internal hex



Dimensions and ordering data														
Connection	Nominal size [mm]	Tubing O.D. D2	D5 Ø	D6 Ø	L1	L2	L3	L4	L5	≅	Weight/ piece [g]	Part No.	Type	PU ¹⁾
R thread														
R ¹ / ₈	2.6	4	9.7	9.9	20	8	16	14.9	-	2.5	6.6	★ 153012	QS- ¹ / ₈ -4-I	10
												133191	QS- ¹ / ₈ -4-I-100	100
	4.2	6	11.8	11.8	22.1	8	18.1	17	-	4	7.6	★ 153013	QS- ¹ / ₈ -6-I	10
												133186	QS- ¹ / ₈ -6-I-100	100
	5.3	8	13.7	13.8	25.9	8	21.9	18.2	-	5	8.8	★ 153015	QS- ¹ / ₈ -8-I	10
												133187	QS- ¹ / ₈ -8-I-50	50
R ¹ / ₄	5.3	10	17.5	16.8	30.3	8	26.3	20.7	-	5	17	★ 190647	QS- ¹ / ₈ -10-I	10
	4.2	6	13.7	11.8	21.3	11	15.2	17	-	4	13	★ 153014	QS- ¹ / ₄ -6-I	10
												133193	QS- ¹ / ₄ -6-I-100	100
	6.3	8	13.7	13.8	25.1	11	19.1	18.2	-	6	13	★ 153016	QS- ¹ / ₄ -8-I	10
												133190	QS- ¹ / ₄ -8-I-50	50
	6.3	10	17.5	16.8	29.8	11	23.8	20.7	-	6	20	★ 153018	QS- ¹ / ₄ -10-I	10
												133188	QS- ¹ / ₄ -10-I-50	50
	6.3	12	20.8	19.8	35.9	11	29.9	23.3	-	6	29	★ 190649	QS- ¹ / ₄ -12-I	10
R ³ / ₈	6.3	8	16.8	13.8	22.2	12	15.9	18.2	-	6	19	★ 153017	QS- ³ / ₈ -8-I	10
	6.3	10	17.5	16.8	29.3	12	23	20.7	-	6	26	★ 153019	QS- ³ / ₈ -10-I	10
	8.4	12	20.8	19.8	31.9	12	25.6	23.3	-	8	31	★ 153020	QS- ³ / ₈ -12-I	10
R ¹ / ₂	6.3	10	20.8	16.8	30.3	15	22.1	20.7	-	6	45	★ 190648	QS- ¹ / ₂ -10-I	1
	8.4	12	20.8	19.8	33.9	15	25.7	23.3	-	8	45	★ 153021	QS- ¹ / ₂ -12-I	1

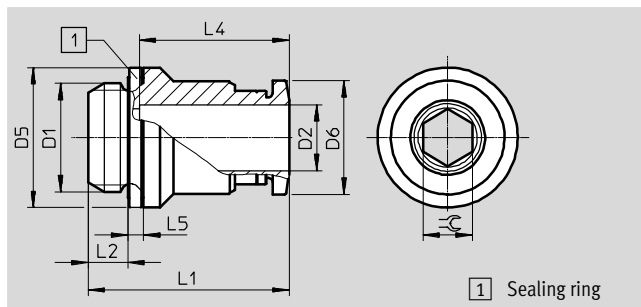
1) Packaging unit quantity

Push-in fittings QS, standard series

Technical data

Push-in fitting QS-...-I

Male thread with internal hex



Dimensions and ordering data														
Connection	Nominal size	Tubing O.D.	D5	D6	L1	L2	L3	L4	L5	≡	Weight/ piece	Part No.	Type	PU ¹⁾
D1	[mm]	D2	∅	∅							[g]			
G thread with sealing ring														
G ¹ / ₈	2.6	4	13	9.9	19.5	4.2	-	14.9	1.9	2.5	7.7	★ 186106	QS-G ¹ / ₈ -4-I	10
												133008	QS-G ¹ / ₈ -4-I-100	100
	4.2	6	13	11.8	21.6	4.2	-	17	1.9	4	8.3	★ 186107	QS-G ¹ / ₈ -6-I	10
												133009	QS-G ¹ / ₈ -6-I-100	100
	5.3	8	13.7	13.8	25.8	4.2	-	18.2	1.9	5	12	★ 186109	QS-G ¹ / ₈ -8-I	10
												133010	QS-G ¹ / ₈ -8-I-100	100
G ¹ / ₄	5.3	10	17	16.8	28.3	4.2	-	20.7	1.9	5	19	★ 132999	QS-G ¹ / ₈ -10-I	10
												133000	QS-G ¹ / ₈ -10-I-100	100
	4.2	6	17	11.8	20.2	4.8	-	17	1.9	4	13	★ 186108	QS-G ¹ / ₄ -6-I	10
G ³ / ₈	6.3	8	17	13.8	24.4	4.8	-	18.2	1.9	6	14	★ 186110	QS-G ¹ / ₄ -8-I	10
	7.3	10	17	16.8	28.9	4.8	-	20.7	1.9	7	20	★ 186112	QS-G ¹ / ₄ -10-I	10
G ³ / ₈	6.3	8	19	13.8	23.9	5.8	-	18.2	2.4	6	20	★ 186111	QS-G ³ / ₈ -8-I	10
	7.3	10	19	16.8	26.4	5.8	-	20.7	2.4	7	22	★ 186113	QS-G ³ / ₈ -10-I	10
	8.4	12	20.8	19.8	31.5	5.8	-	23.3	2.4	8	34	★ 186114	QS-G ³ / ₈ -12-I	10
G ¹ / ₂	8.4	12	24	19.8	28	6.8	-	23.3	2.4	8	33	★ 186115	QS-G ¹ / ₂ -12-I	1

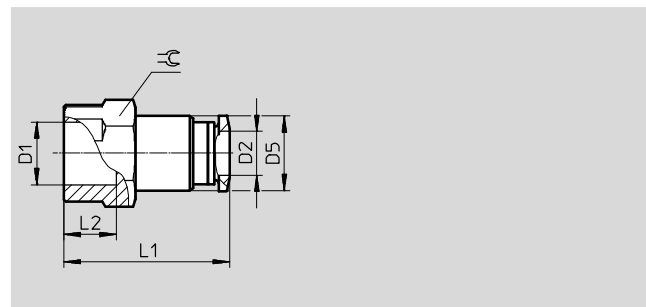
1) Packaging unit quantity

Push-in fittings QS, standard series

Technical data

Push-in fitting QSF

Female thread with external hex



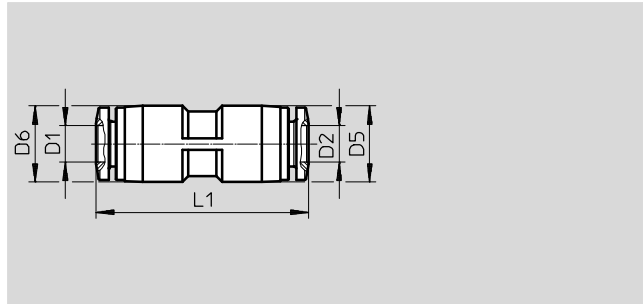
Dimensions and ordering data										
Connection	Nominal size [mm]	Tubing O.D. D2	D5 Ø	L1	L2	≅	Weight/ piece [g]	Part No.	Type	PU ¹⁾
G thread										
G ¹ / ₈	3	4	9.7	23.9	7	14	13	★ 153022	QSF- ¹ / ₈ -4-B	10
								130709	QSF- ¹ / ₈ -4-B-100	100
	5	6	11.8	26	7	14	15	★ 153023	QSF- ¹ / ₈ -6-B	10
								130710	QSF- ¹ / ₈ -6-B-100	100
	7	8	13.7	27.2	7	14	16	★ 153025	QSF- ¹ / ₈ -8-B	10
							130711	QSF- ¹ / ₈ -8-B-50	50	
G ¹ / ₄	3	4	9.7	26.9	9.5	17	21	★ 190650	QSF- ¹ / ₄ -4-B	10
								130712	QSF- ¹ / ₄ -6-B-100	100
	5	6	11.8	29	9.5	17	23	★ 153024	QSF- ¹ / ₄ -6-B	10
								130713	QSF- ¹ / ₄ -6-B-100	100
	7	8	13.7	30.2	9.5	17	24	★ 153026	QSF- ¹ / ₄ -8-B	10
								130714	QSF- ¹ / ₄ -8-B-50	50
G ³ / ₈	5	6	11.8	30.5	11	21	30	★ 190652	QSF- ³ / ₈ -6-B	10
								130715	QSF- ³ / ₈ -8-B-50	50
	7	8	13.7	31.7	11	21	32	★ 153027	QSF- ³ / ₈ -8-B	10
								130716	QSF- ³ / ₈ -10-B-50	50
	9	10	17.5	34.2	11	21	38	★ 153029	QSF- ³ / ₈ -10-B	10
							130717	QSF- ³ / ₈ -12-B-20	20	
G ¹ / ₂	11	12	20.8	40.1	14	24	56	★ 190653	QSF- ¹ / ₂ -12-B	1
		15	16	25	41.6	14	25	69	190654	QSF- ¹ / ₂ -16-B

1) Packaging unit quantity

Push-in fittings QS, standard series

Technical data

Push-in connector QS



Dimensions and ordering data									
Tubing O.D. D1	Nominal size [mm]	Tubing O.D. D2	D5 ∅	D6	L1	Weight/ piece [g]	Part No.	Type	PU ¹⁾
4	2.6	4	10	-	30.8	5	★ 153031	QS-4	10
							130686	QS-4-100	100
6	4	6	12.5	-	34.9	6.5	★ 153032	QS-6	10
							130687	QS-6-100	100
8	5	8	14.5	-	37.8	9.5	★ 153033	QS-8	10
							130688	QS-8-50	50
10	6.7	10	17.5	-	41.4	16	★ 153034	QS-10	10
							130689	QS-10-50	50
12	8.7	12	21	-	47.8	22	★ 153035	QS-12	10
							130690	QS-12-20	20
16	13.7	16	25	-	50	25	153036	QS-16	1
							133195	QS-16-20	20
Reducing									
6	2.6	4	12.5	12.5	34.4	6.4	★ 153037	QS-6-4	10
							130691	QS-6-4-100	100
8	2.3	4	10.7	14.5	36.6	7.2	★ 130606	QS-8-4	10
							★ 153038	QS-8-6	10
								130692	QS-8-6-50
10	3.7	6	13	17.5	39.8	12	★ 130607	QS-10-6	10
							★ 153039	QS-10-8	10
								130693	QS-10-8-50
12	5.2	8	14.5	21	44	16	★ 130608	QS-12-8	10
							★ 153040	QS-12-10	10
								130694	QS-12-10-20

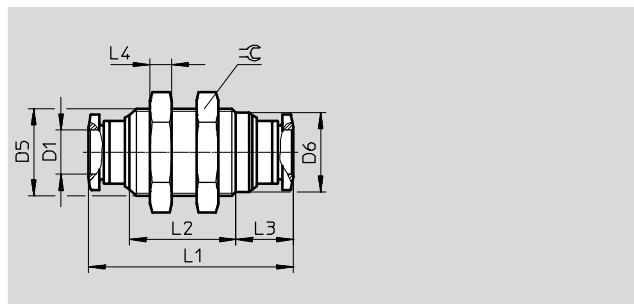
1) Packaging unit quantity

Festo core product range ★ Generally ready for shipping ex works in 24 hours
 ☆ Generally ready for shipping ex works in 5 days

Push-in fittings QS, standard series

Technical data

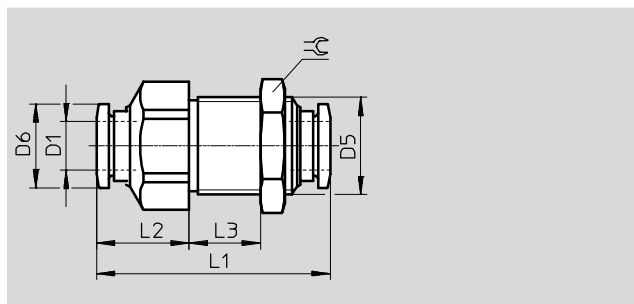
Push-in bulkhead connector QSS



Push-in bulkhead connector

QSS-...-F

with fixed collar



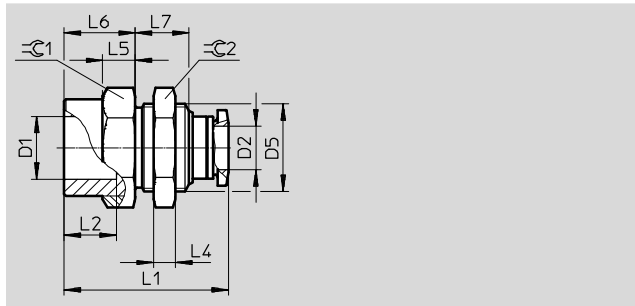
Dimensions and ordering data												
Tubing O.D.	Nominal size	D5	D6	L1	L2	L3	L4	≅	Weight/ piece [g]	Part No.	Type	PU ¹⁾
D1	[mm]		∅									
4	3	M12x1	10.8	30.8	14.8	9.5	4	14	11	★ 153157	QSS-4	10
										130788	QSS-4-100	100
6	5	M14x1	12.5	34.9	19	9.5	4	17	16	★ 153158	QSS-6	10
										130789	QSS-6-100	100
8	7	M16x1	14.6	37.4	19.4	10.5	4	19	19	★ 153159	QSS-8	10
										130790	QSS-8-50	50
10	9	M20x1	18.5	42.4	21.6	11.9	5	24	35	★ 153160	QSS-10	10
										130791	QSS-10-50	50
12	11	M22x1	20.4	47.6	24.2	13.2	6	27	52	★ 153161	QSS-12	10
										130792	QSS-12-20	20
With fixed collar												
4	2.6	M12x1	9.9	33	13	10	-	14	-	193950	QSS-4-F	10
6	4.0	M14x1	11.8	34.9	14.4	10	-	17	-	193951	QSS-6-F	10
8	5.5	M16x1	13.8	38.4	15.2	13	-	19	40	★ 130642	QSS-8-F	10
10	6.5	M20x1	16.8	47.1	20.3	15	-	24	86	★ 130643	QSS-10-F	10
12	7.5	M22x1	19.8	48.5	18.9	17.5	-	27	105	★ 130644	QSS-12-F	10

1) Packaging unit quantity

Push-in fittings QS, standard series

Technical data

Push-in bulkhead connector QSSF
with female thread



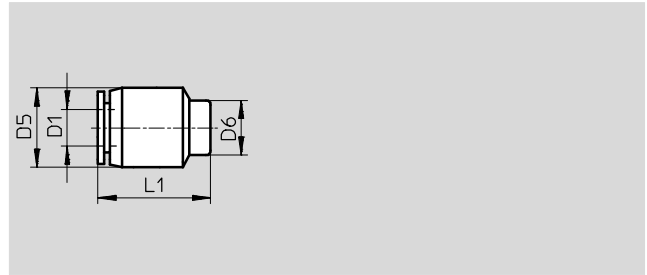
Dimensions and ordering data															
Connection	Nominal size	Tubing O.D.	D5 Ø	L1	L2	L4	L5	L6	L7	⌀1	⌀2	Weight/ piece	Part No.	Type	PU ¹⁾
D1	[mm]	D2										[g]			
G ¹ / ₈	3	4	M12x1	24.2	7	4	5	9	9	14	14	17	153162	QSSF- ¹ / ₈ -4-B	10
	5	6	M14x1	26.4	7	4	6	10	10.2	17	17	25	153163	QSSF- ¹ / ₈ -6-B	10
	7	8	M16x1	27	7	4	6	10	9.8	19	19	30	153165	QSSF- ¹ / ₈ -8-B	10
G ¹ / ₄	3	4	M12x1	27.5	9.5	4	6	12.3	9	17	14	24	190655	QSSF- ¹ / ₄ -4-B	10
	5	6	M14x1	28.7	9.5	4	6	12.3	10.2	17	17	27	153164	QSSF- ¹ / ₄ -6-B	10
	7	8	M16x1	30	9.5	4	6	13	9.8	19	19	34	153166	QSSF- ¹ / ₄ -8-B	10
	9	10	M20x1	32.7	9.5	5	7	13	11.1	24	24	57	153168	QSSF- ¹ / ₄ -10-B	10
G ³ / ₈	5	6	M14x1	30.9	11	4	6.5	14.5	10.2	21	17	36	190656	QSSF- ³ / ₈ -6-B	10
	7	8	M16x1	31.5	11	4	6.5	14.5	9.8	21	19	38	153167	QSSF- ³ / ₈ -8-B	10
	9	10	M20x1	34.2	11	5	7	14.5	11.1	24	24	57	153169	QSSF- ³ / ₈ -10-B	10
	11	12	M22x1	36.8	11	6	7	14.5	12.4	24	27	66	153170	QSSF- ³ / ₈ -12-B	10
G ¹ / ₂	11	12	M22x1	40.1	14	6	7	17.8	12.4	24	27	70	153171	QSSF- ¹ / ₂ -12-B	1
	15	16	M27x1.5	42.6	14	9	8.5	17.3	15.4	29	32	116	190657	QSSF- ¹ / ₂ -16-B	1

1) Packaging unit quantity

Push-in fittings QS, standard series

Technical data

Push-in cap QSC



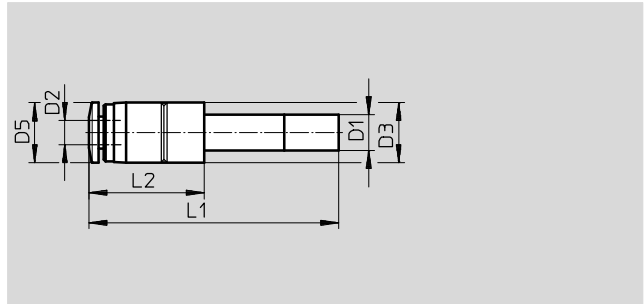
Dimensions and ordering data							
Tubing O.D.	D5	D6	L1	Weight/ piece [g]	Part No.	Type	PU ¹⁾
D1	∅	∅					
4	10	7	16.5	2.5	★ 153262	QSC-4	10
					130704	QSC-4-100	100
6	13	9	18.5	3.5	★ 153263	QSC-6	10
					130705	QSC-6-100	100
8	15	11	20	5	★ 153264	QSC-8	10
					130706	QSC-8-50	50
10	18	13	22.5	8	★ 153265	QSC-10	10
					130707	QSC-10-50	50
12	21.5	16	23	11.5	★ 153266	QSC-12	10
					130708	QSC-12-20	20

1) Packaging unit quantity

Push-in fittings QS, standard series

Technical data

Push-in connector QS-...H
with push-in sleeve



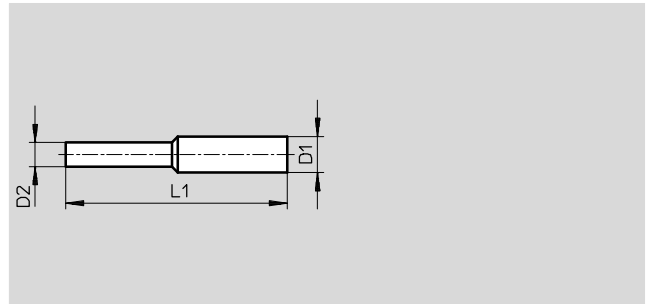
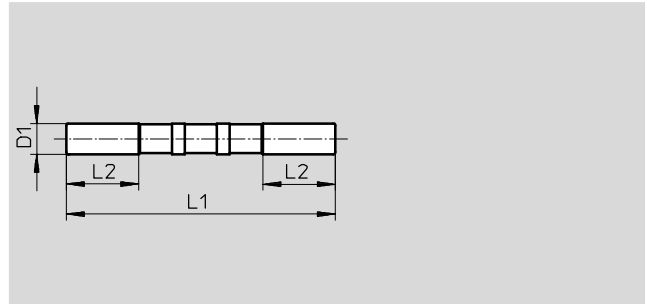
Dimensions and ordering data										
Push-in sleeve Ø D1	Nominal size [mm]	Tubing O.D. D2	D3 Ø	D5 Ø	L1	L2	Weight/ piece [g]	Part No.	Type	PU ¹⁾
6	2.5	4	10	9.9	37.7	15.2	2.9	★ 153041	QS-6H-4	10
								130695	QS-6H-4-100	100
8	2.4	4	12.5	9.9	40.2	16.7	3.8	★ 130622	QS-8H-4	10
		6	12.5	11.8	40.8	17.3	4	★ 153042	QS-8H-6	10
	3.8	6	12.5	11.8	43.8	18.8	4.5	★ 130623	QS-10H-6	10
10	3.8	6	12.5	11.8	43.8	18.8	4.5	★ 130623	QS-10H-6	10
		8	14.5	13.8	43.7	18.7	5.8	★ 153043	QS-10H-8	10
	5.4	8	14.5	13.8	43.7	18.7	5.8	★ 130697	QS-10H-8-50	50
12	3.8	6	14.5	11.8	48.8	19.8	6.0	★ 132981	QS-12H-6	10
		8	14.5	13.8	49.7	20.7	6.7	★ 130624	QS-12H-8	10
	6.3	10	17.5	16.8	50	21	9.6	★ 153044	QS-12H-10	10
								130698	QS-12H-10-20	20

1) Packaging unit quantity

Push-in fittings QS, standard series

Technical data

Push-in sleeve QSH



Reducing

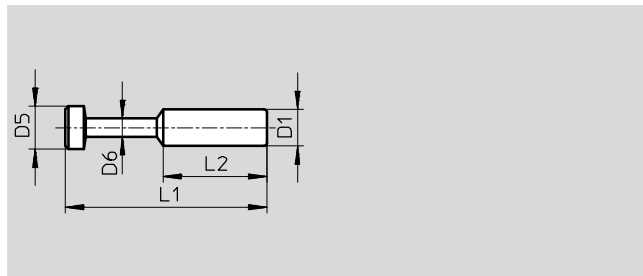
Dimensions and ordering data													
Push-in sleeve Ø D1	Nominal size [mm]	Push-in sleeve Ø D2	L1	L2	Weight/ piece [g]	Part No.	Type	PU ¹⁾					
4	2.5	-	34.8	11.3	0.5	153251	QSH-4	10					
						130723	QSH-4-100	100					
6	4	-	38.2	11.3	0.5	153252	QSH-6	10					
						130724	QSH-6-100	100					
8	6	-	41.4	12.1	1	153253	QSH-8	10					
						130725	QSH-8-50	50					
10	7.5	-	46.2	13	1.5	153254	QSH-10	10					
						130726	QSH-10-50	50					
12	9	-	52.8	17.5	3	153255	QSH-12	10					
						130727	QSH-12-20	20					
16	11	-	55.6	18	4	153256	QSH-16	1					
Reducing													
6	2.3	4	36.7	-	0.5	153257	QSH-6-4	10					
						130718	QSH-6-4-100	100					
8	2.3	4	41.1	-	0.9	130625	QSH-8-4	10					
						3.8	6	40.5	-	0.9	153258	QSH-8-6	10
											130719	QSH-8-6-50	50
10	3.8	6	43.7	-	1.4	130626	QSH-10-6	10					
						4.9	8	44	-	1.3	153259	QSH-10-8	10
											130720	QSH-10-8-50	50
12	4.9	8	47.5	-	2.1	130627	QSH-12-8	10					
						7.1	10	49.6	-	2.2	153260	QSH-12-10	10
											130721	QSH-12-10-20	20
16	7.8	12	54.4	-	4.2	153261	QSH-16-12	1					
						130722	QSH-16-12-20	20					

1) Packaging unit quantity

Push-in fittings QS, standard series

Technical data

Blanking plug QSC-...H



Dimensions and ordering data								
Push-in sleeve \varnothing	D5 \varnothing	D6 \varnothing	L1	L2	Weight/ piece [g]	Part No.	Type	PU ¹⁾
D1								
4	5	3	28	15	0.5	★ 153267	QSC-4H	10
						130699	QSC-4H-100	100
6	7	3	33	17	0.5	★ 153268	QSC-6H	10
						130700	QSC-6H-100	100
8	9	4	37	18	1	★ 153269	QSC-8H	10
						130701	QSC-8H-50	50
10	11	5	42	20.5	2	★ 153270	QSC-10H	10
						130702	QSC-10H-50	50
12	13	6	44	23	2.5	★ 153271	QSC-12H	10
						130703	QSC-12H-20	20
16	17	8	46	24	4	153272	QSC-16H	1

1) Packaging unit quantity

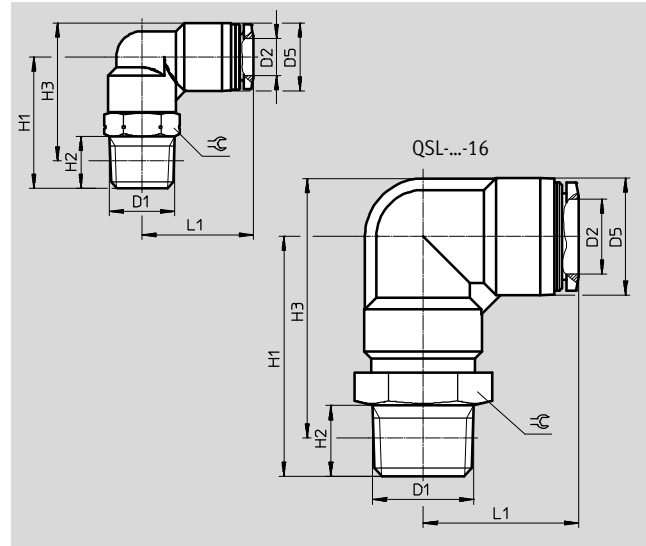
Push-in fittings QS, standard series

Technical data

Push-in L-fitting QSL

Orientable

Male thread with external hex



Dimensions and ordering data												
Connection	Nominal size [mm]	Tubing O.D. D2	D5 Ø	H1	H2	H3	L1	⌀	Weight/ piece [g]	Part No.	Type	PU ¹⁾
R thread												
R ¹ / ₈	2.8	4	10	22	8	23	18.7	10	10	★ 153045	QSL- ¹ / ₈ -4	10
										130728	QSL- ¹ / ₈ -4-100	100
	4.2	6	12.5	22.5	8	24.8	20.3	10	11	★ 153046	QSL- ¹ / ₈ -6	10
										130729	QSL- ¹ / ₈ -6-100	100
	6	8	14.5	24	8	27.3	22.7	12	14	★ 153048	QSL- ¹ / ₈ -8	10
										130730	QSL- ¹ / ₈ -8-50	50
	6	10	17.5	25	8	29.8	25.5	12	18	★ 190658	QSL- ¹ / ₈ -10	10
R ¹ / ₄	2.8	4	10	29	11	28	20.7	14	18	★ 190659	QSL- ¹ / ₄ -4	10
	4.3	6	12.5	28	11	28.2	21.8	14	19	★ 153047	QSL- ¹ / ₄ -6	10
										130731	QSL- ¹ / ₄ -6-100	100
	6.7	8	14.5	28	11	29.2	23.7	14	20	★ 153049	QSL- ¹ / ₄ -8	10
										130732	QSL- ¹ / ₄ -8-50	50
	8	10	17.5	28.5	11	31.2	26	14	23	★ 153051	QSL- ¹ / ₄ -10	10
										130733	QSL- ¹ / ₄ -10-50	50
	8	12	21	29.8	11	34.2	29	14	27	★ 164981	QSL- ¹ / ₄ -12	10
										130734	QSL- ¹ / ₄ -12-20	20
R ³ / ₈	4.3	6	12.5	31.5	12	31.4	23.8	17	30	★ 190660	QSL- ³ / ₈ -6	10
	6.7	8	14.5	31	12	31.9	24.7	17	31	★ 153050	QSL- ³ / ₈ -8	10
										130735	QSL- ³ / ₈ -8-50	50
	8.3	10	17.5	32	12	34.4	27	17	34	★ 153052	QSL- ³ / ₈ -10	10
										130736	QSL- ³ / ₈ -10-20	20
	10	12	21	32.5	12	36.7	29.7	17	38	★ 153053	QSL- ³ / ₈ -12	10
										130737	QSL- ³ / ₈ -12-20	20
	11	16	25	47	11	53.2	33.1	22	74	164958	QSL- ³ / ₈ -16	1
R ¹ / ₂	8.3	10	17.5	36	15	36.6	27.5	21	57	★ 190661	QSL- ¹ / ₂ -10	1
										133192	QSL- ¹ / ₂ -10-50	50
	10.3	12	21	36.5	15	38.8	30.7	21	61	★ 153054	QSL- ¹ / ₂ -12	1
										130738	QSL- ¹ / ₂ -12-20	20
	13	16	25	51	15	55.3	33.1	22	79	153055	QSL- ¹ / ₂ -16	1
										130739	QSL- ¹ / ₂ -16-20	20

1) Packaging unit quantity

Festo core product range

- ★ Generally ready for shipping ex works in 24 hours
- ☆ Generally ready for shipping ex works in 5 days

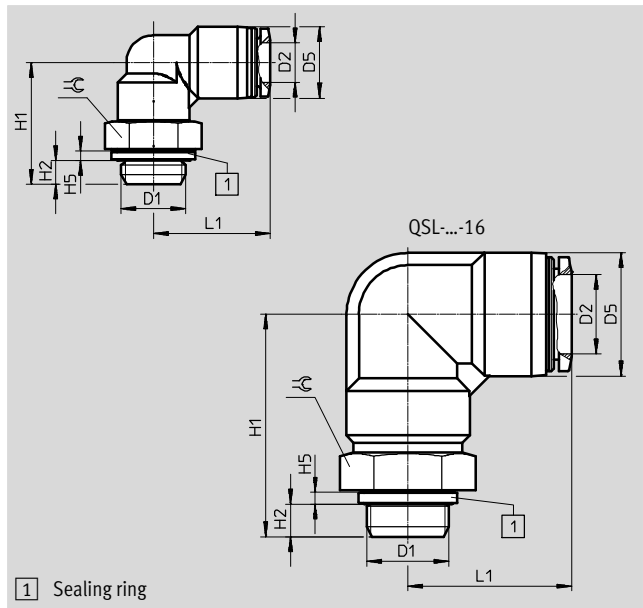
Push-in fittings QS, standard series

Technical data

Push-in L-fitting QSL

Orientable

Male thread with external hex



Dimensions and ordering data												
Connection	Nominal size	Tubing O.D.	D5	H1	H2	H5	L1	≈	Weight/ piece	Part No.	Type	PU ¹⁾
D1	[mm]	D2	∅						[g]			
G thread with sealing ring												
G ¹ / ₈	2.8	4	10	21.1	4.2	1.9	18.7	13	13	★ 186116	QSL-G ¹ / ₈ -4	10
										132048	QSL-G ¹ / ₈ -4-100	100
	4.2	6	12.5	21.6	4.2	1.9	20.3	13	14	★ 186117	QSL-G ¹ / ₈ -6	10
										132049	QSL-G ¹ / ₈ -6-100	100
	6	8	14.5	22.1	4.2	1.9	22.7	13	15	★ 186119	QSL-G ¹ / ₈ -8	10
										132050	QSL-G ¹ / ₈ -8-50	50
G ¹ / ₄	4.3	6	12.5	24.7	4.8	1.9	21.8	17	21	★ 186118	QSL-G ¹ / ₄ -6	10
										132051	QSL-G ¹ / ₄ -6-100	100
	6.7	8	14.5	24.7	4.8	1.9	23.7	17	23	★ 186120	QSL-G ¹ / ₄ -8	10
										132052	QSL-G ¹ / ₄ -8-50	50
	8	10	17.5	25.2	4.8	1.9	26	17	26	★ 186122	QSL-G ¹ / ₄ -10	10
										132053	QSL-G ¹ / ₄ -10-50	50
	8	12	21	26.5	4.8	1.9	29	17	29	★ 186351	QSL-G ¹ / ₄ -12	10
										132054	QSL-G ¹ / ₄ -12-20	20
G ³ / ₈	6.7	8	14.5	27.2	5.8	2.4	24.7	19	30	★ 186121	QSL-G ³ / ₈ -8	10
										132055	QSL-G ³ / ₈ -8-50	50
	8.3	10	17.5	28.2	5.8	2.4	27	19	33	★ 186123	QSL-G ³ / ₈ -10	10
										132056	QSL-G ³ / ₈ -10-20	20
	10	12	21	28.7	5.8	2.4	29.7	19	37	★ 186124	QSL-G ³ / ₈ -12	10
										132057	QSL-G ³ / ₈ -12-20	20
11	16	25	44.2	5.8	2.4	33.1	24	77	★ 186348	QSL-G ³ / ₈ -16	1	
G ¹ / ₂	10.3	12	21	32.2	6.8	2.4	30.7	24	67	★ 186125	QSL-G ¹ / ₂ -12	1
										132058	QSL-G ¹ / ₂ -12-20	20
	13	16	25	45.2	6.8	2.4	33.1	24	75	★ 186126	QSL-G ¹ / ₂ -16	1
										132059	QSL-G ¹ / ₂ -16-20	20

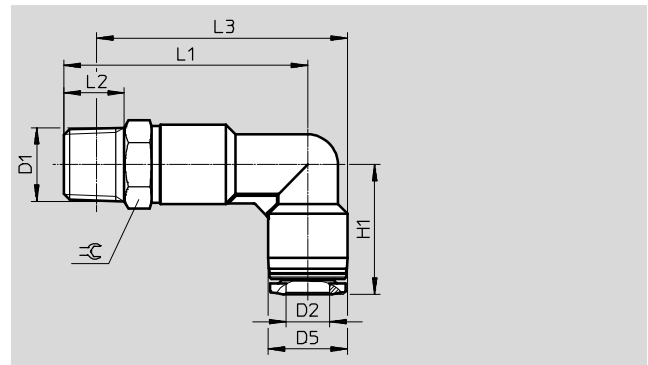
1) Packaging unit quantity

Festo core product range ★ Generally ready for shipping ex works in 24 hours
 ☆ Generally ready for shipping ex works in 5 days

Push-in fittings QS, standard series

Technical data

Push-in long L-fitting QSLL
Orientable
Male thread with external hex



Dimensions and ordering data												
Connection	Nominal size [mm]	Tubing O.D.	D5 ∅	H1	L1	L2	L3	≈C	Weight/ piece [g]	Part No.	Type	PU ¹⁾
D1	D2											
R thread												
R ¹ / ₈	2.8	4	10	18.7	34	8	35	10	11	★ 153076	QSLL- ¹ / ₈ -4	10
	4.3	6	12.5	20.3	37	8	39.3	10	13	★ 153077	QSLL- ¹ / ₈ -6	10
	6	8	14.5	22.7	40.5	8	43.8	12	16	★ 153079	QSLL- ¹ / ₈ -8	10
R ¹ / ₄	2.8	4	10	20.7	41	11	40	14	19	★ 190662	QSLL- ¹ / ₄ -4	10
	4.3	6	12.5	21.8	42.5	11	42.7	14	20	★ 153078	QSLL- ¹ / ₄ -6	10
	6.7	8	14.5	23.7	44.5	11	45.7	14	22	★ 153080	QSLL- ¹ / ₄ -8	10
	8	10	17.5	26	48	11	50.7	14	26	★ 153082	QSLL- ¹ / ₄ -10	10
R ³ / ₈	4.3	6	12.5	23.8	46	12	45.9	17	33	★ 190663	QSLL- ³ / ₈ -6	10
	6.7	8	14.5	24.7	47.5	12	48.4	17	35	★ 153081	QSLL- ³ / ₈ -8	10
	8.3	10	17.5	27	51.5	12	53.9	17	38	★ 153083	QSLL- ³ / ₈ -10	10
	10	12	21	29.7	55.5	12	59.7	17	42	★ 153084	QSLL- ³ / ₈ -12	10
R ¹ / ₂	8.3	10	17.5	27	55.5	15	56.1	21	63	★ 190664	QSLL- ¹ / ₂ -10	1
	10.3	12	21	29.7	59.5	15	61.8	21	68	★ 153085	QSLL- ¹ / ₂ -12	1

1) Packaging unit quantity

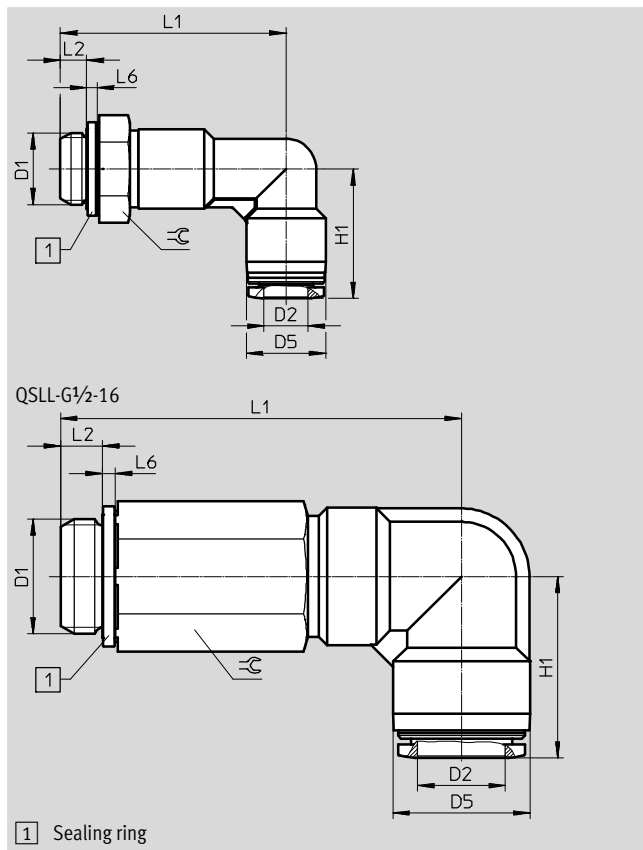
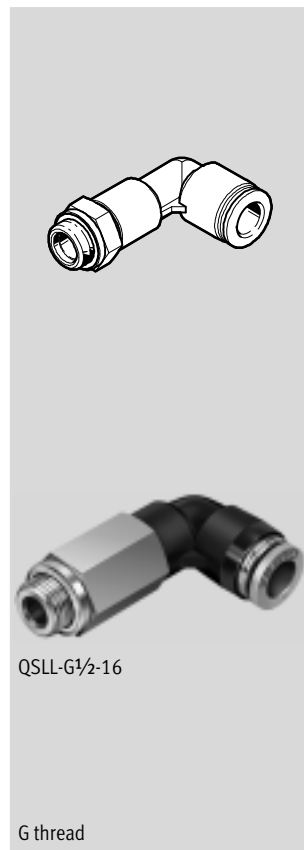
Push-in fittings QS, standard series

Technical data

Push-in long L-fitting QSLL

Orientable

Male thread with external hex



Dimensions and ordering data												
Connection	Nominal size	Tubing O.D.	D5	H1	L1	L2	L6	≡	Weight/ piece	Part No.	Type	PU ¹⁾
D1	[mm]	D2	∅						[g]			
G thread with sealing ring												
G ¹ / ₈	2.8	4	10	18.7	33.1	4.2	1.9	13	14	186127	QSLL-G¹/₈-4	10
										133015	QSLL-G¹/₈-4-100	100
	4.3	6	12.5	20.3	36.1	4.2	1.9	13	15	186128	QSLL-G¹/₈-6	10
										133016	QSLL-G¹/₈-6-100	100
	6	8	14.5	22.7	38.6	4.2	1.9	13	17	186130	QSLL-G¹/₈-8	10
										133017	QSLL-G¹/₈-8-100	100
G ¹ / ₄	4.3	6	12.5	21.8	39.2	4.8	1.9	17	25	186129	QSLL-G¹/₄-6	10
	6.7	8	14.5	23.7	41.2	4.8	1.9	17	27	186131	QSLL-G¹/₄-8	10
	8	10	17.5	26	44.7	4.8	1.9	17	31	186133	QSLL-G¹/₄-10	10
	8	12	21	29	49.5	4.8	1.9	17	35	132596	QSLL-G¹/₄-12	1
G ³ / ₈	6.7	8	14.5	24.7	43.7	5.8	2.4	19	34	186132	QSLL-G³/₈-8	10
	8.3	10	17.5	27	47.7	5.8	2.4	19	37	186134	QSLL-G³/₈-10	10
	10	12	21	29.7	51.7	5.8	2.4	19	41	186135	QSLL-G³/₈-12	10
G ¹ / ₂	10.3	12	21	29.7	55.2	6.8	2.4	24	75	186136	QSLL-G¹/₂-12	1
	13	16	25	33.1	72.2	6.8	2.4	24	158	190665	QSLL-G¹/₂-16	1

1) Packaging unit quantity

Push-in fittings QS, standard series

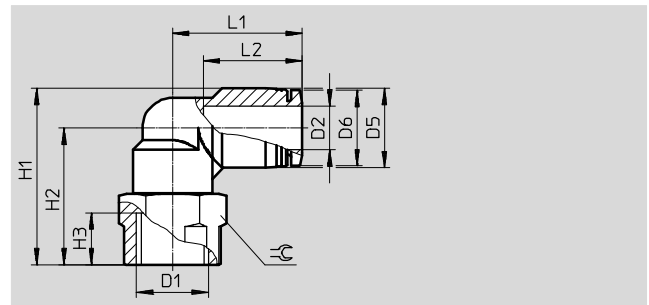
Technical data

Push-in L-fitting QSLF

Female thread with external hex



G thread



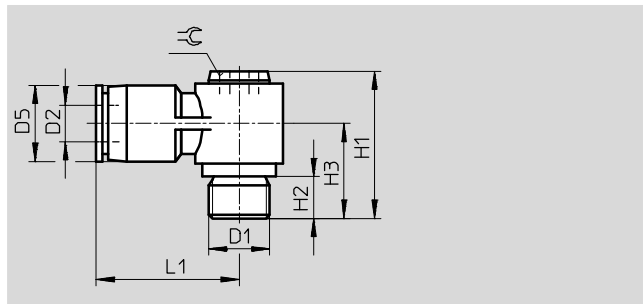
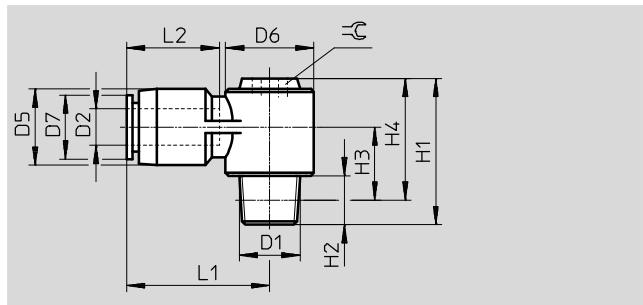
Dimensions and ordering data														
Connection	Nominal size [mm]	Tubing O.D.	D5 ∅	D6 ∅	H1	H2	H3	L1	L2	⌀	Weight/ piece [g]	Part No.	Type	PU ¹⁾
D1		D2												
G thread														
G ¹ / ₈	2.8	4	10	9.9	25	20	7	18.7	14.9	14	14	★ 153273	QSLF- ¹ / ₈ -4-B	10
	4.2	6	12.5	11.8	26.8	20.5	7	20.3	17	14	15	★ 153274	QSLF- ¹ / ₈ -6-B	10
	6	8	14.5	13.8	28.3	21	7	22.7	18.1	14	16	★ 153276	QSLF- ¹ / ₈ -8-B	10
G ¹ / ₄	4.3	6	12.5	11.8	31.3	25	9.5	21.8	17	17	22	★ 153275	QSLF- ¹ / ₄ -6-B	10
	6.7	8	14.5	13.8	32.3	25	9.5	23.7	18.1	17	24	★ 153277	QSLF- ¹ / ₄ -8-B	10
	8	10	17.5	16.8	34.3	25.5	9.5	26	20.2	17	27	★ 153279	QSLF- ¹ / ₄ -10-B	10
G ³ / ₈	6.7	8	14.5	13.8	34.8	27.5	11	24.7	18.1	21	33	★ 153278	QSLF- ³ / ₈ -8-B	10
	8.3	10	17.5	16.8	37.3	28.5	11	27	20.2	21	36	★ 153280	QSLF- ³ / ₈ -10-B	10

1) Packaging unit quantity

Push-in fittings QS, standard series

Technical data

Push-in L-fitting QSLV-...-I
 Orientable
 Male thread with internal hex



Dimensions and ordering data																
Connection	Nominal size	Tubing O.D.	D5	D6	D7	H1	H2	H3	H4	L1	L2	±C	Weight/ piece	Part No.	Type	PU ¹⁾
D1	[mm]	D2	∅	∅	∅								[g]			
R thread																
R ¹ / ₈	3	6	13	14.3	11.8	24	8	11.5	20	23.7	17	5	15	153097	QSLV-1¹/₈-6-I	10
	4.2	8	14	17.9	13.8	27	8	12	23	26.7	18.1	8	22	153099	QSLV-1¹/₈-8-I	10
R ¹ / ₄	3.1	6	13	14.3	11.8	27	11	12.5	21	23.7	17	5	22	153098	QSLV-1¹/₄-6-I	10
	4	8	14	17.9	13.8	30	11	13	24	26.7	18.1	8	28	153100	QSLV-1¹/₄-8-I	10
	5.4	10	18	21.3	16.8	34	11	15	28	30.7	20.7	10	40	153102	QSLV-1¹/₄-10-I	10
R ³ / ₈	4.2	8	14	17.9	13.8	31	12	13.7	24.7	26.7	18.1	8	37	153101	QSLV-3³/₈-8-I	10
	5.4	10	18	21.3	16.8	35	12	15.7	28.7	30.7	20.7	10	49	153103	QSLV-3³/₈-10-I	10
	6.9	12	21	26.3	19.8	39	12	17.7	32.7	36.4	23.4	12	68	153104	QSLV-3³/₈-12-I	10
R ¹ / ₂	6.4	12	21	26.3	19.8	42	15	18.8	33.8	36.4	23.4	12	85	153105	QSLV-1¹/₂-12-I	1
G thread																
G ¹ / ₈	3	6	13	-	-	23	5.1	14.5	-	23.7	-	5	15	186148	QSLV-G¹/₈-6-I	10
	4.2	8	14	-	-	26	5.1	15	-	26.7	-	8	22	186150	QSLV-G¹/₈-8-I	10
G ¹ / ₄	3.1	6	13	-	-	23.5	5.6	15	-	23.7	-	5	19	186149	QSLV-G¹/₄-6-I	10
	4	8	14	-	-	26.5	5.6	15.5	-	26.7	-	8	25	186151	QSLV-G¹/₄-8-I	10
	5.4	10	18	-	-	30.5	5.6	17.5	-	30.7	-	10	38	186153	QSLV-G¹/₄-10-I	10
G ³ / ₈	4.2	8	14	-	-	28	6.6	17	-	26.7	-	8	33	186152	QSLV-G³/₈-8-I	10
	5.4	10	18	-	-	32	6.6	19	-	30.7	-	10	45	186154	QSLV-G³/₈-10-I	10
	6.9	12	21	-	-	36	6.6	21	-	36.4	-	12	65	186155	QSLV-G³/₈-12-I	10
G ¹ / ₂	6.4	12	21	-	-	37	7.6	22	-	36.4	-	12	75	186156	QSLV-G¹/₂-12-I	1

1) Packaging unit quantity

Push-in fittings QS, standard series

Technical data

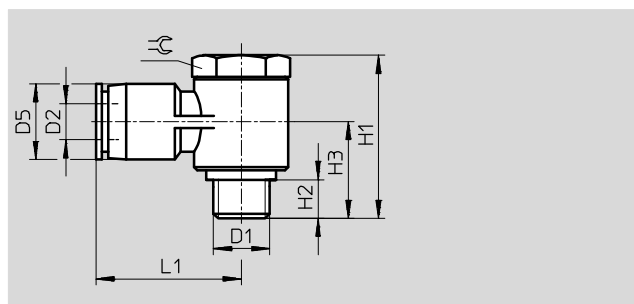
Push-in L-fitting QSLV

Orientable

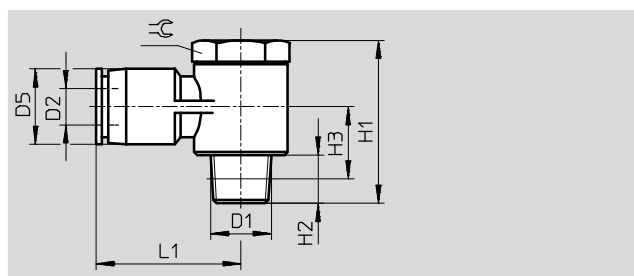
Male thread with external hex



M thread



R thread



Dimensions and ordering data												
Connection	Nominal size [mm]	Tubing O.D.	D5 ∅	H1	H2	H3	L1	≈C	Weight/ piece [g]	Part No.	Type	PU ¹⁾
D1	D2											
Metric thread												
M5	1.6	6	12.5	17.7	3.5	10.9	23.1	8	8.2	★ 190666	QSLV-M5-6	10
R thread												
R ¹ / ₈	2.4	4	10	27	8	12	22.5	14	20	★ 153086	QSLV- ¹ / ₈ -4	10
										130749	QSLV- ¹ / ₈ -4-100	100
	3.7	6	12.5	27	8	12	24	14	35.5	★ 153087	QSLV- ¹ / ₈ -6	10
										130750	QSLV- ¹ / ₈ -6-100	100
R ¹ / ₄	4.4	8	14.5	27	8	12	26	14	37	★ 153089	QSLV- ¹ / ₈ -8	10
										130751	QSLV- ¹ / ₈ -8-50	50
	3.8	6	12.5	31.5	11	13.5	27	17	32.5	★ 153088	QSLV- ¹ / ₄ -6	10
										130752	QSLV- ¹ / ₄ -6-100	100
R ¹ / ₂	5	8	14.5	31.5	11	13.5	28.5	17	59.5	★ 153090	QSLV- ¹ / ₄ -8	10
										130753	QSLV- ¹ / ₄ -8-50	50
	5.4	10	17.5	31.5	11	14.5	30.5	17	62.5	★ 153092	QSLV- ¹ / ₄ -10	10
										130754	QSLV- ¹ / ₄ -10-50	50
R ³ / ₈	5.2	8	14.5	36	12	15.5	30.5	21	54.5	★ 153091	QSLV- ³ / ₈ -8	10
	6.3	10	17.5	36	12	15.5	33	21	66	★ 153093	QSLV- ³ / ₈ -10	10
	7.1	12	21	36	12	17	35	21	97.5	★ 153094	QSLV- ³ / ₈ -12	10
R ¹ / ₂	8	12	21	40.5	15	16.5	38	24	100	★ 153095	QSLV- ¹ / ₂ -12	1
	8.9	16	25	48.5	15	22	36.5	24	115	153096	QSLV- ¹ / ₂ -16	1

1) Packaging unit quantity

Festo core product range

- ★ Generally ready for shipping ex works in 24 hours
- ☆ Generally ready for shipping ex works in 5 days

Push-in fittings QS, standard series

Technical data

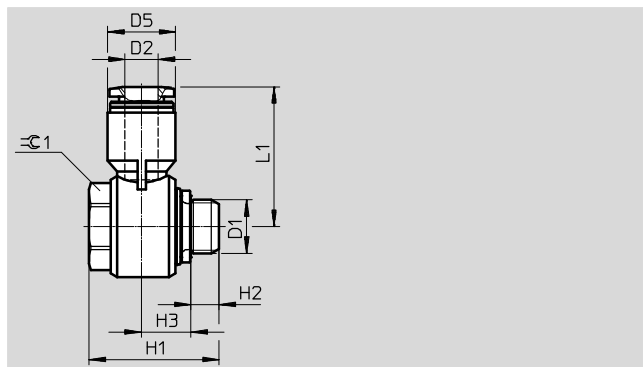
Push-in L-fitting QSLV

Orientable

Male thread with external hex



G thread



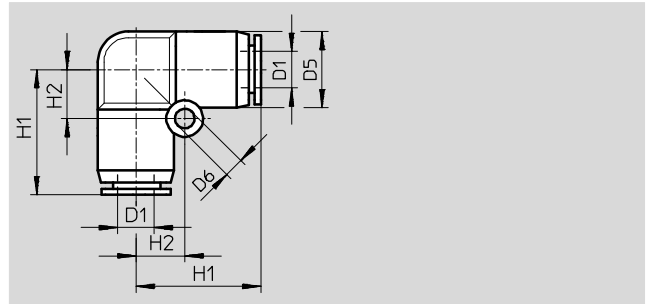
Dimensions and ordering data												
Connection	Nominal size	Tubing O.D.	D5	H1	H2	H3	L1	$\approx \text{C}1$	Weight/ piece	Part No.	Type	PU ¹⁾
D1	[mm]	D2	\varnothing						[g]			
G thread												
G ¹ / ₈	2.3	4	10	23.7	5.1	8.7	23.4	14	22	★ 186137	QSLV-G ¹ / ₈ -4	10
										132060	QSLV-G ¹ / ₈ -4-100	100
	3.5	6	12.4	23.7	5.1	9	25.5	14	23	★ 186138	QSLV-G ¹ / ₈ -6	10
										132061	QSLV-G ¹ / ₈ -6-100	100
	4	8	14.4	23.7	5.1	10	28.4	14	25	★ 186140	QSLV-G ¹ / ₈ -8	10
										132062	QSLV-G ¹ / ₈ -8-50	50
G ¹ / ₄	3.7	6	14.5	28.6	5.6	10.4	29	19	44	★ 186139	QSLV-G ¹ / ₄ -6	10
										132063	QSLV-G ¹ / ₄ -6-100	100
	4.9	8	14.5	28.6	5.6	10.4	28.9	19	45	★ 186141	QSLV-G ¹ / ₄ -8	10
										132064	QSLV-G ¹ / ₄ -8-50	50
	5.3	10	17.6	28.6	5.6	11.7	31.2	19	48	★ 186143	QSLV-G ¹ / ₄ -10	10
										132065	QSLV-G ¹ / ₄ -10-50	50
G ³ / ₈	5.4	8	14.4	33.1	6.6	12.6	31	24	71	★ 186142	QSLV-G ³ / ₈ -8	10
	6.4	10	17.6	33.1	6.6	12.6	33.6	24	74	★ 186144	QSLV-G ³ / ₈ -10	10
	6.4	12	21	33.1	6.6	14.3	36.4	24	77	★ 186145	QSLV-G ³ / ₈ -12	10
G ¹ / ₂	7	12	21	34	7.6	14.3	37.9	27	99	★ 186146	QSLV-G ¹ / ₂ -12	1
	8.1	16	25	43.1	7.6	17.2	38.1	27	115	186147	QSLV-G ¹ / ₂ -16	1

1) Packaging unit quantity

Push-in fittings QS, standard series

Technical data

Push-in L-connector QSL



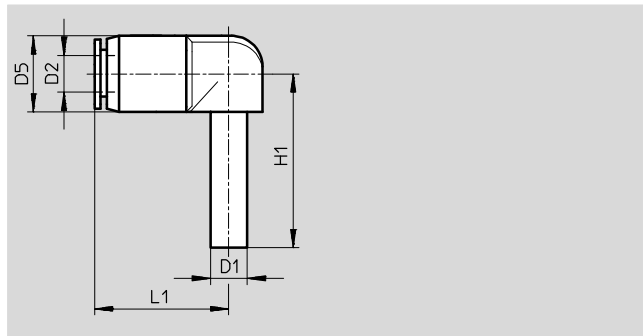
Dimensions and ordering data									
Tubing O.D.	Nominal size	D5	D6	H1	H2	Weight/ piece	Part No.	Type	PU ¹⁾
D1	[mm]	∅	∅			[g]			
4	2.3	10	3.2	16.9	6.5	5.1	★ 153070	QSL-4	10
							130740	QSL-4-100	100
6	3.6	12.5	3.2	20.1	8	7.3	★ 153071	QSL-6	10
							130741	QSL-6-100	100
8	4.6	15	4.2	22.4	10	11	★ 153072	QSL-8	10
							130742	QSL-8-50	50
10	6.2	17.5	4.2	26.2	12	17	★ 153073	QSL-10	10
							130743	QSL-10-50	50
12	7.7	21	4.2	29.4	14	25	★ 153074	QSL-12	10
							130744	QSL-12-20	20
16	10.8	25	4.2	33.1	12	31	153075	QSL-16	1
							133194	QSL-16-20	20

1) Packaging unit quantity

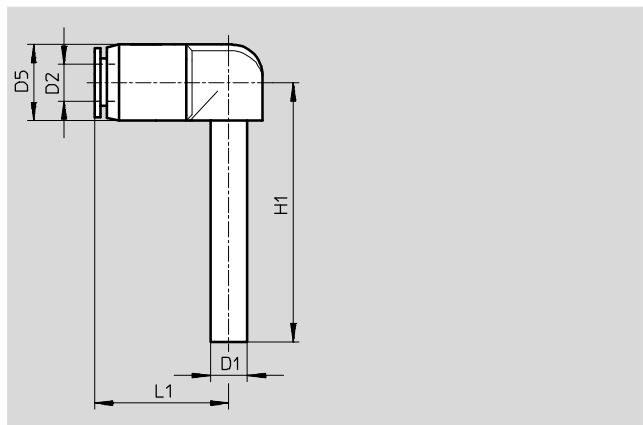
Push-in fittings QS, standard series

Technical data

Push-in L-connector QSL-...H
with push-in sleeve



Long push-in sleeve



Dimensions and ordering data									
Push-in sleeve Ø D1	Nominal size [mm]	Tubing O.D. D2	D5 Ø	H1	L1	Weight/ piece [g]	Part No.	Type	PU ¹⁾
4	2	4	10	25	16.8	2.7	★ 153056	QSL-4H	10
							130745	QSL-4H-100	100
6	3.2	6	12.5	28.5	19.8	3.9	★ 153057	QSL-6H	10
							130746	QSL-6H-100	100
8	4.7	8	14.5	30.7	21.8	5.7	★ 153058	QSL-8H	10
							130747	QSL-8H-50	50
10	5.7	10	17.5	33.7	24.9	9.6	★ 153059	QSL-10H	10
							130748	QSL-10H-50	50
12	6.8	12	21	39	28.9	15	★ 153060	QSL-12H	10
Reducing									
6	2.4	4	12.5	28.5	17.7	3.6	★ 153061	QSL-6H-4	10
8	3.5	6	14.5	30.7	21.9	5.2	★ 153062	QSL-8H-6	10
10	4.9	8	17.5	33.7	24.6	8	★ 153063	QSL-10H-8	10
12	6.1	10	21	39	28.7	14	★ 153064	QSL-12H-10	10
Long push-in sleeve									
4	2	4	10	36	16.8	2.8	★ 153065	QSL-4HL	10
6	3.1	6	12.5	42	19.8	4.2	★ 153066	QSL-6HL	10
8	4.5	8	14.5	46.7	21.8	6.2	★ 153067	QSL-8HL	10
10	5.6	10	17.5	51.7	24.9	11	★ 153068	QSL-10HL	10
12	6.7	12	21	59.5	28.95	16	★ 153069	QSL-12HL	10

1) Packaging unit quantity

Festo core product range ★ Generally ready for shipping ex works in 24 hours
 ☆ Generally ready for shipping ex works in 5 days

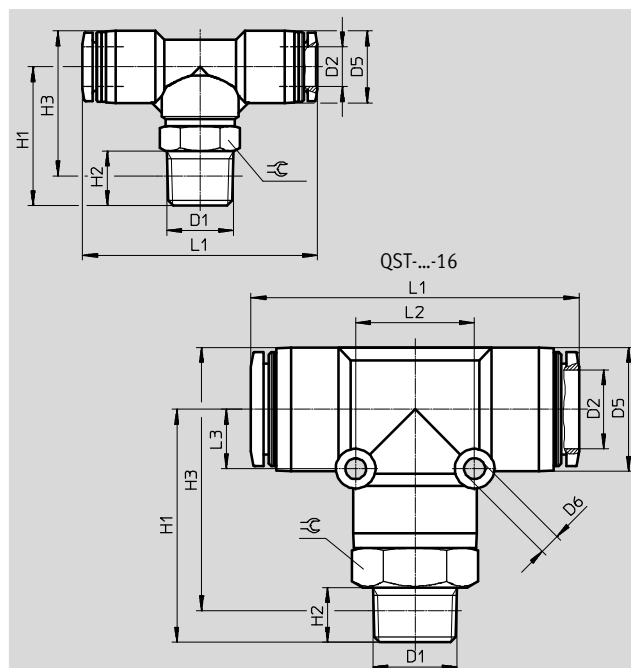
Push-in fittings QS, standard series

Technical data

Push-in T-fitting QST

Orientable

Male thread with external hex



Dimensions and ordering data															
Connection	Nominal size	Tubing O.D.	D5	D6	H1	H2	H3	L1	L2	L3	⊖	Weight/ piece	Part No.	Type	PU ¹⁾
D1	[mm]	D2	∅	∅								[g]			
R thread															
R ¹ / ₈	2.8	4	10	-	22	8	23	37.4	-	-	10	13	★ 153106	QST- ¹ / ₈ -4	10
													130793	QST- ¹ / ₈ -4-100	100
	4.2	6	12.5	-	22.5	8	24.8	40.5	-	-	10	14	★ 153107	QST- ¹ / ₈ -6	10
													130794	QST- ¹ / ₈ -6-100	100
	6	8	14.5	-	24	8	27.3	45.4	-	-	12	19	★ 153109	QST- ¹ / ₈ -8	10
													130795	QST- ¹ / ₈ -8-50	50
	6	10	17.5	-	25	8	29.8	51	-	-	12	25	★ 190667	QST- ¹ / ₈ -10	10
R ¹ / ₄	2.8	4	10	-	29	11	28	41.4	-	-	14	20	★ 190668	QST- ¹ / ₄ -4	10
	4.3	6	12.5	-	28	11	28.2	43.5	-	-	14	22	★ 153108	QST- ¹ / ₄ -6	10
													130796	QST- ¹ / ₄ -6-100	100
	6.7	8	14.5	-	28	11	29.2	47.4	-	-	14	25	★ 153110	QST- ¹ / ₄ -8	10
													130797	QST- ¹ / ₄ -8-50	50
	8	10	17.5	-	28.5	11	31.2	52	-	-	14	31	★ 153112	QST- ¹ / ₄ -10	10
													130798	QST- ¹ / ₄ -10-50	50
	8	12	21	-	29.8	11	34.2	57.9	-	-	14	38	★ 190669	QST- ¹ / ₄ -12	10
R ³ / ₈	4.3	6	12.5	-	31.5	12	31.4	47.5	-	-	17	33	★ 190670	QST- ³ / ₈ -6	10
	6.7	8	14.5	-	31	12	31.9	49.4	-	-	17	35	★ 153111	QST- ³ / ₈ -8	10
													130799	QST- ³ / ₈ -8-50	50
	8.3	10	17.5	-	32	12	34.4	54	-	-	17	42	★ 153113	QST- ³ / ₈ -10	10
													130800	QST- ³ / ₈ -10-20	20
	10	12	21	-	32.5	12	36.7	59.4	-	-	17	48	★ 153114	QST- ³ / ₈ -12	10
													130801	QST- ³ / ₈ -12-20	20
R ¹ / ₂	8.3	10	17.5	-	36	15	36.6	55	-	-	21	65	★ 190672	QST- ¹ / ₂ -10	1
	10.3	12	21	-	36.5	15	38.8	61.4	-	-	21	72	★ 153115	QST- ¹ / ₂ -12	1
	13	16	25	4.2	51	15	55.3	66.2	24	12	22	93	153116	QST- ¹ / ₂ -16	1

1) Packaging unit quantity

Festo core product range

★ Generally ready for shipping ex works in 24 hours

☆ Generally ready for shipping ex works in 5 days

Push-in fittings QS, standard series

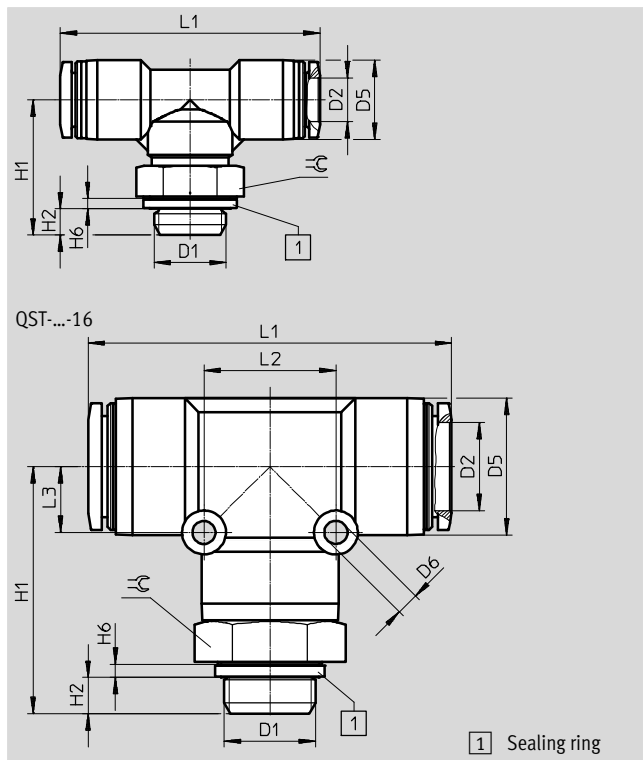


Technical data

Push-in T-fitting QST

Orientable

Male thread with external hex



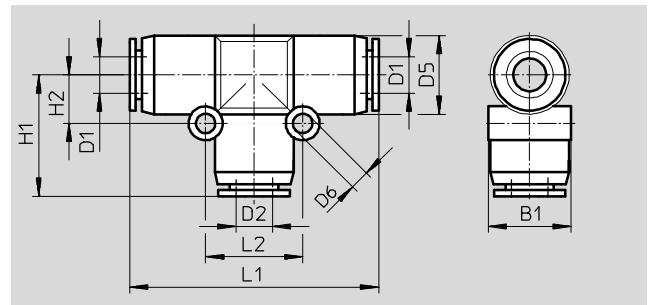
Dimensions and ordering data															
Connection	Nominal size	Tubing O.D.	D5	D6	H1	H2	H6	L1	L2	L3		Weight/ piece	Part No.	Type	PU ¹⁾
D1	[mm]	D2	∅	∅								[g]			
G thread with sealing ring															
G ¹ / ₈	2.8	4	10	-	21.1	4.2	1.9	37.4	-	-	13	15	186157	QST-G¹/₈-4	10
													132066	QST-G¹/₈-4-100	100
	4.2	6	12.5	-	21.6	4.2	1.9	40.5	-	-	13	17	186158	QST-G¹/₈-6	10
													132067	QST-G¹/₈-6-100	100
	6	8	14.5	-	22.1	4.2	1.9	45.4	-	-	13	19	186160	QST-G¹/₈-8	10
													132068	QST-G¹/₈-8-50	50
G ¹ / ₄	4.3	6	12.5	-	24.7	4.8	1.9	43.5	-	-	17	24	186159	QST-G¹/₄-6	10
													132069	QST-G¹/₄-6-100	100
	6.7	8	14.5	-	24.7	4.8	1.9	47.4	-	-	17	27	186161	QST-G¹/₄-8	10
													132070	QST-G¹/₄-8-50	50
	8	10	17.5	-	25.2	4.8	1.9	52	-	-	17	33	186163	QST-G¹/₄-10	10
													132071	QST-G¹/₄-10-50	50
G ³ / ₈	8	12	21	-	26.5	4.8	1.9	57.9	-	-	17	43	132597	QST-G¹/₄-12	1
	6.7	8	14.5	-	27.2	5.8	2.4	49.4	-	-	19	34	186162	QST-G³/₈-8	10
													132072	QST-G³/₈-8-50	50
	8.3	10	17.5	-	28.2	5.8	2.4	54	-	-	19	41	186164	QST-G³/₈-10	10
													132073	QST-G³/₈-10-20	20
	10	12	21	-	28.7	5.8	2.4	59.4	-	-	19	47	186165	QST-G³/₈-12	10
												132074	QST-G³/₈-12-20	20	
G ¹ / ₂	11	16	25	4.2	44.2	5.8	2.4	66.2	24	12	24	97	186349	QST-G³/₈-16	1
	10.3	12	21	-	32.2	6.8	2.4	61.4	-	-	24	78	186166	QST-G¹/₂-12	1
	13	16	25	4.2	45.2	6.8	2.4	66.2	24	12	24	95	186167	QST-G¹/₂-16	1

1) Packaging unit quantity

Push-in fittings QS, standard series

Technical data

Push-in T-connector QST



Dimensions and ordering data													
Tubing O.D. D1	Nominal size [mm]	Tubing O.D. D2	D5 ∅	D6 ∅	B1	H1	H2	L1	L2	Weight/ piece [g]	Part No.	Type	PU ¹⁾
4	2.6	4	10	3.2	10.4	17.2	6.5	34.4	13	7.5	★ 153128	QST-4	10
											130802	QST-4-100	100
6	4	6	13	3.2	13.5	20.1	8	40.2	16	11	★ 153129	QST-6	10
											130803	QST-6-100	100
8	5	8	15	3.2	15.6	22.2	9	44.4	18	16	★ 153130	QST-8	10
											130804	QST-8-50	50
10	6.7	10	17.5	4.2	18.2	25.2	12	50.4	24	25	★ 153131	QST-10	10
											130805	QST-10-50	50
12	8.7	12	21	4.2	21.7	28.4	14	56.8	28	36	★ 153132	QST-12	10
											130806	QST-12-20	20
16	10.7	16	25	4.2	25.6	33.1	12	66.2	24	44	153133	QST-16	1
Reducing													
6	2.3	4	13	3.2	13	19.5	8	40.1	16	11	★ 153134	QST-6-4	10
											130820	QST-6-4-100	100
8	2.3	4	14.5	3.2	15,1	21.7	9	44.4	18	14	★ 130613	QST-8-4	10
	3.5	6	14.5	3.2	15,1	22.3	9	44.4	18	14	★ 153135	QST-8-6	10
											130821	QST-8-6-50	50
10	3.7	6	17.5	4.2	18,2	25	12	50.4	24	22	★ 130614	QST-10-6	10
	4.9	8	17.5	4.2	18,2	24.9	12	50.4	24	23	★ 153136	QST-10-8	10
											130822	QST-10-8-50	50
12	5.1	8	21	4.2	21,7	27.7	14	56.8	28	32	★ 130615	QST-12-8	10
	6.1	10	21	4.2	21,7	28	14	56.8	28	34	★ 153137	QST-12-10	10
											130823	QST-12-10-20	20
16	7.6	12	25	4.2	25,7	33.2	12	66.2	24	45	★ 130616	QST-16-12	1

1) Packaging unit quantity

Push-in fittings QS, standard series

Technical data



Push-in T-fitting QSTF

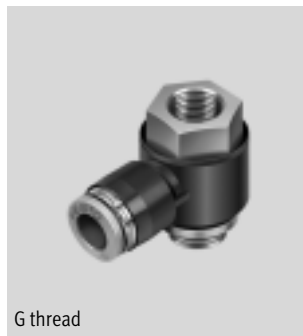
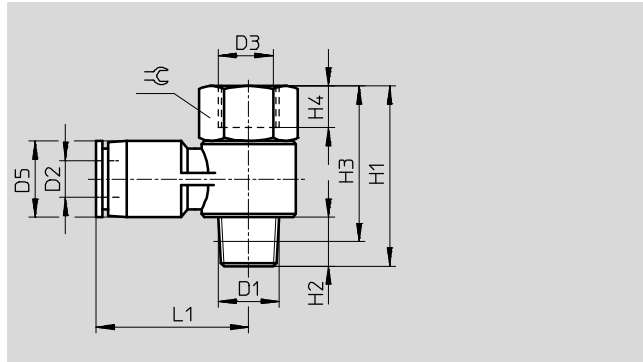
Orientable

Male and female thread with external

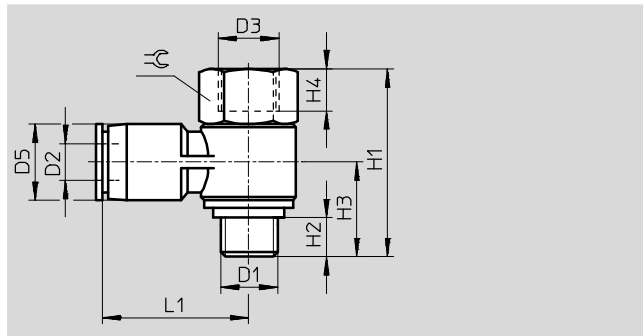
hex



R thread



G thread



Dimensions and ordering data														
Connection	Nominal size [mm]	Tubing O.D. D2	D3 Ø	D5 Ø	H1	H2	H3	H4	L1	⌀	Weight/piece [g]	Part No.	Type	PU ¹⁾
R thread														
R ¹ / ₈	2.5	4	G ¹ / ₈	10	32.5	8	28.5	7	22.2	14	22	153182	QSTF- ¹ / ₈ -4-B	1
	3.3	6	G ¹ / ₈	12.5	32.5	8	28.5	7	24.2	14	23	153183	QSTF- ¹ / ₈ -6-B	1
	3.6	8	G ¹ / ₈	14.5	32.5	8	28.5	7	26.2	14	25	153185	QSTF- ¹ / ₈ -8-B	1
R ¹ / ₄	3.6	6	G ¹ / ₄	12.5	38.5	11	32.5	9	26.8	17	37	153184	QSTF- ¹ / ₄ -6-B	1
	4.4	8	G ¹ / ₄	14.5	38.5	11	32.5	9	28.2	17	39	153186	QSTF- ¹ / ₄ -8-B	1
	4.4	10	G ¹ / ₄	18	38.5	11	32.5	9	30.5	17	42	153188	QSTF- ¹ / ₄ -10-B	1
R ³ / ₈	4.9	8	G ³ / ₈	14.5	44.5	12	38.2	11	30.2	21	61	153187	QSTF- ³ / ₈ -8-B	1
	5.6	10	G ³ / ₈	18	44.5	12	38.2	11	32.5	21	64	153189	QSTF- ³ / ₈ -10-B	1
	6	12	G ³ / ₈	21	44.5	12	38.2	11	35.2	21	67	153190	QSTF- ³ / ₈ -12-B	1
R ¹ / ₂	7.4	12	G ¹ / ₂	21	52.2	13	44	14	38.2	24	101	153191	QSTF- ¹ / ₂ -12-B	1
G thread with sealing ring														
G ¹ / ₈	2.4	4	G ¹ / ₈	10	26	5.1	13.8	7	23.4	14	20	186199	QSTF-G ¹ / ₈ -4	1
	3.2	6	G ¹ / ₈	12.4	26	5.1	14.1	7	25.5	14	21	186200	QSTF-G ¹ / ₈ -6	1
	3.7	8	G ¹ / ₈	14.4	26	5.1	15.1	7	28.4	14	23	186202	QSTF-G ¹ / ₈ -8	1
G ¹ / ₄	3.7	6	G ¹ / ₄	14.5	33.2	5.6	16	9	29	19	43	186201	QSTF-G ¹ / ₄ -6	1
	4.4	8	G ¹ / ₄	14.5	33.2	5.6	16	9	28.9	19	44	186203	QSTF-G ¹ / ₄ -8	1
	4.9	10	G ¹ / ₄	17.6	33.2	5.6	17.3	9	31.2	19	47	186205	QSTF-G ¹ / ₄ -10	1
G ³ / ₈	4.9	8	G ³ / ₈	14.4	38.1	6.6	19.2	10.5	31	24	71	186204	QSTF-G ³ / ₈ -8	1
	5.8	10	G ³ / ₈	17.6	38.1	6.6	19.2	10.5	33.6	24	74	186206	QSTF-G ³ / ₈ -10	1
	6	12	G ³ / ₈	21	38.1	6.6	20.9	10.5	36.4	24	77	186207	QSTF-G ³ / ₈ -12	1
G ¹ / ₂	7	12	G ¹ / ₂	21	42.8	7.6	21.9	13	37.9	27	99	186208	QSTF-G ¹ / ₂ -12	1

1) Packaging unit quantity

Push-in fittings QS, standard series

Technical data

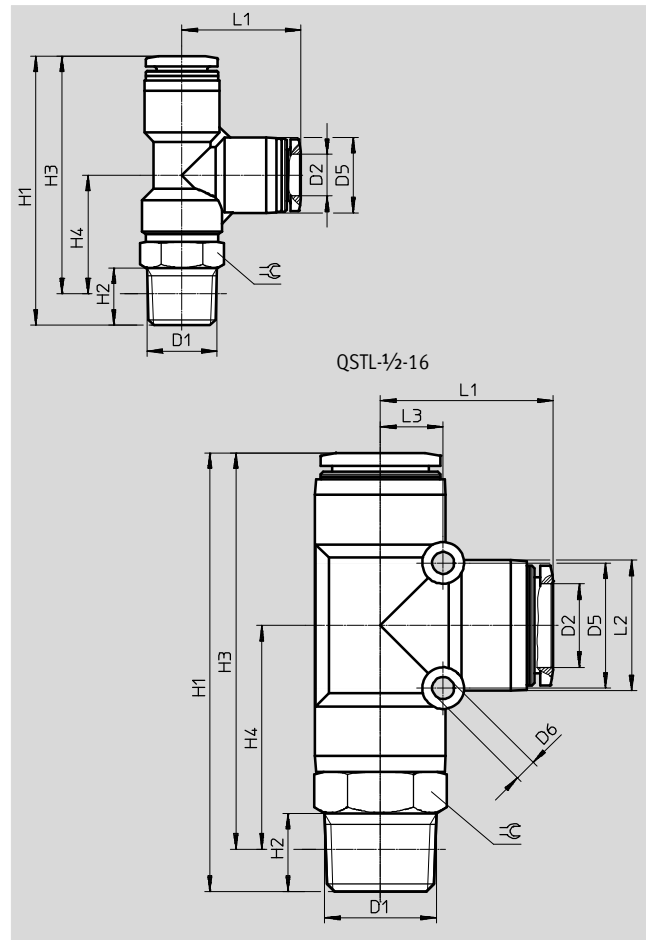
Push-in T-fitting QSTL

Orientable

Male thread with external hex



R thread



Dimensions and ordering data																	
Connection	Nominal size	Tubing O.D.	D5	D6	H1	H2	H3	H4	L1	L2	L3	⌀	Weight/ piece	Part No.	Type	PU ¹⁾	
D1	[mm]	D2	∅	∅									[g]				
R thread																	
R ¹ / ₈	2.8	4	10	-	40.2	8	36.2	19	17.2	-	-	10	13	★ 153117	QSTL- ¹ / ₈ -4	10	
														130824	QSTL- ¹ / ₈ -4-100	100	
	4.3	6	12.5	-	43.3	8	39.3	18.8	20.5	-	-	10	14	★ 153118	QSTL- ¹ / ₈ -6	10	
														130825	QSTL- ¹ / ₈ -6-100	100	
R ¹ / ₄	6	8	14.5	-	46.9	8	42.9	20	22.9	-	-	12	19	★ 153120	QSTL- ¹ / ₈ -8	10	
														130826	QSTL- ¹ / ₈ -8-50	50	
	4.3	6	12.5	-	48.8	11	42.7	22.2	20.5	-	-	14	22	★ 153119	QSTL- ¹ / ₄ -6	10	
														130827	QSTL- ¹ / ₄ -6-100	100	
R ³ / ₈	6.7	8	14.5	-	51.7	11	45.7	22.8	22.9	-	-	14	25	★ 153121	QSTL- ¹ / ₄ -8	10	
														130828	QSTL- ¹ / ₄ -8-50	50	
	8	10	17.5	-	54.7	11	48.7	22.5	26.2	-	-	14	31	★ 153123	QSTL- ¹ / ₄ -10	10	
														130829	QSTL- ¹ / ₄ -10-50	50	
R ³ / ₄	6.7	8	14.5	-	55.4	12	49.1	26.2	22.9	-	-	17	35	★ 153122	QSTL- ³ / ₈ -8	10	
	8.3	10	17.5	-	58.2	12	51.9	25.7	26.2	-	-	17	42	★ 153124	QSTL- ³ / ₈ -10	10	
	10	12	21	-	63.5	12	57.2	26.7	30.5	-	-	17	48	★ 153125	QSTL- ³ / ₈ -12	10	
R ¹ / ₂	10.3	12	21	-	67.5	15	59.3	28.8	30.7	-	-	21	72	★ 153126	QSTL- ¹ / ₂ -12	1	
	13	16	25	4.2	84.1	15	75.9	42.8	33.1	24	12	22	93	153127	QSTL- ¹ / ₂ -16	1	

1) Packaging unit quantity

Festo core product range

- ★ Generally ready for shipping ex works in 24 hours
- ☆ Generally ready for shipping ex works in 5 days

Push-in fittings QS, standard series

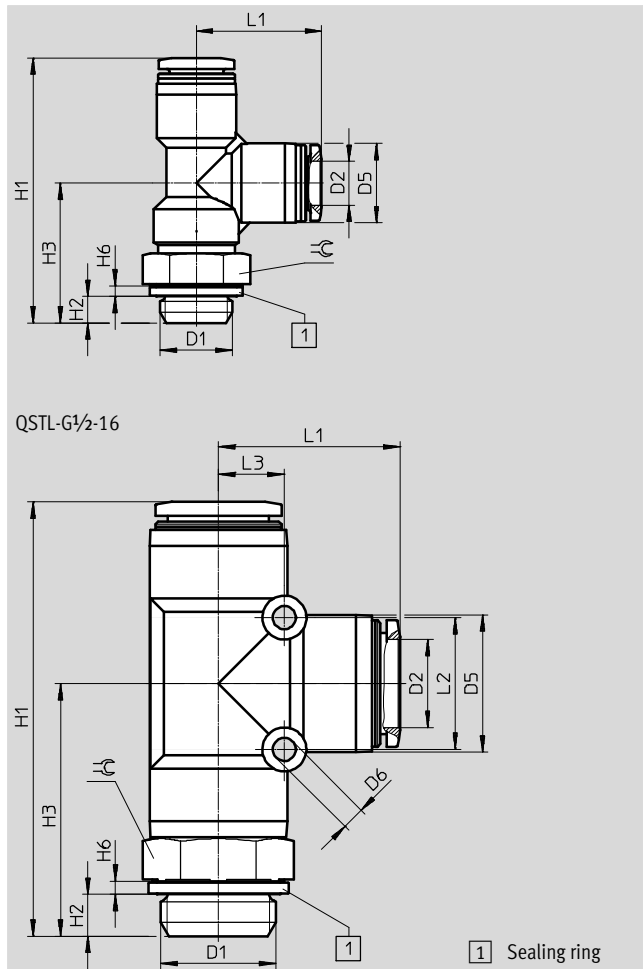
Technical data



Push-in T-fitting QSTL

Orientable

Male thread with external hex



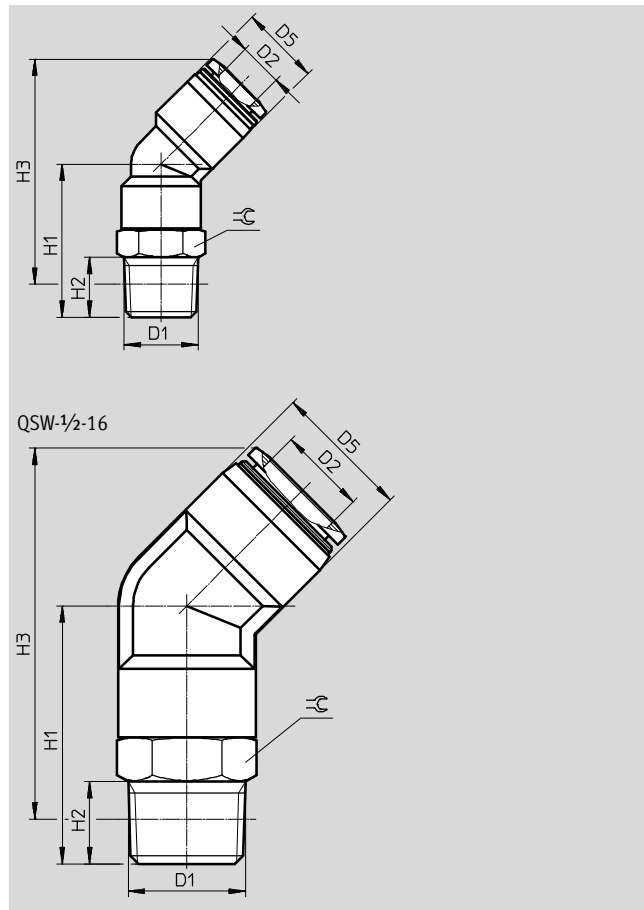
Dimensions and ordering data																	
Connection	Nominal size	Tubing O.D.	D5	D6	H1	H2	H3	H6	L1	L2	L3	∅	Weight/ piece	Part No.	Type	PU ¹⁾	
D1	[mm]	D2	∅	∅									[g]				
G thread with sealing ring																	
G $\frac{1}{8}$	2.8	4	10	-	39.3	4.2	22.1	1.9	17.2	-	-	13	15	186168	QSTL-G $\frac{1}{8}$ -4	10	
														132075	QSTL-G $\frac{1}{8}$ -4-100	100	
	4.3	6	12.5	-	42.4	4.2	21.9	1.9	20.5	-	-	13	17	186169	QSTL-G $\frac{1}{8}$ -6	10	
														132076	QSTL-G $\frac{1}{8}$ -6-100	100	
G $\frac{1}{4}$	6	8	14.5	-	45	4.2	22.1	1.9	22.9	-	-	13	19	186171	QSTL-G $\frac{1}{8}$ -8	10	
														132077	QSTL-G $\frac{1}{8}$ -8-50	50	
	4.3	6	12.5	-	45.5	4.8	25	1.9	20.5	-	-	17	24	186170	QSTL-G $\frac{1}{4}$ -6	10	
														132078	QSTL-G $\frac{1}{4}$ -6-100	100	
G $\frac{3}{8}$	6.7	8	14.5	-	48.4	4.8	25.5	1.9	22.9	-	-	17	27	186172	QSTL-G $\frac{1}{4}$ -8	10	
														132079	QSTL-G $\frac{1}{4}$ -8-50	50	
	8	10	17.5	-	51.4	4.8	25.2	1.9	26.2	-	-	17	33	186174	QSTL-G $\frac{1}{4}$ -10	10	
														132080	QSTL-G $\frac{1}{4}$ -10-50	50	
G $\frac{1}{2}$	6.7	8	14.5	-	51.6	5.8	28.7	2.4	22.9	-	-	19	34	186173	QSTL-G $\frac{3}{8}$ -8	10	
	8.3	10	17.5	-	54.4	5.8	28.2	2.4	26.2	-	-	19	41	186175	QSTL-G $\frac{3}{8}$ -10	10	
	10	12	21	-	59.7	5.8	29.2	2.4	30.5	-	-	19	48	186176	QSTL-G $\frac{3}{8}$ -12	10	
G $\frac{1}{2}$	10.3	12	21	-	63.2	6.8	32.7	2.4	30.7	-	-	24	78	186177	QSTL-G $\frac{1}{2}$ -12	1	
	13	16	25	4.2	78.3	6.8	45.2	2.4	33.1	24	12	24	89	186178	QSTL-G $\frac{1}{2}$ -16	1	

1) Packaging unit quantity

Push-in fittings QS, standard series

Technical data

Push-in angled fitting QSW
 Orientable
 Male thread with external hex



Dimensions and ordering data											
Connection	Nominal size	Tubing O.D.	D5	H1	H2	H3	≅	Weight/ piece	Part No.	Type	PU ¹⁾
D1	mm]	D2						[g]			
R thread											
R ¹ / ₈	2.5	4	8	14.8	8	23	10	6.1	130596	QSW- ¹ / ₈ -4	10
	3.3	6	10.5	16.4	8	25.3	10	6.8	130597	QSW- ¹ / ₈ -6	10
	6	8	14.5	24	8	39.2	12	14	130598	QSW- ¹ / ₈ -8	10
R ¹ / ₄	3.3	6	10.5	21.4	11	28.2	14	17.9	130599	QSW- ¹ / ₄ -6	10
	6.7	8	14.5	28	11	41.2	14	20	130600	QSW- ¹ / ₄ -8	10
	8	10	17.5	28.5	11	44.9	14	23	130601	QSW- ¹ / ₄ -10	10
R ³ / ₈	8.3	10	17.5	33	12	49.1	17	35	130602	QSW- ³ / ₈ -10	10
	9.5	12	21	32.5	12	53.2	17	38	130603	QSW- ³ / ₈ -12	10
R ¹ / ₂	10.3	12	21	36.5	15	55.4	21	61	130604	QSW- ¹ / ₂ -12	1
	13	16	25	47	15	67.6	22	78	130605	QSW- ¹ / ₂ -16	1

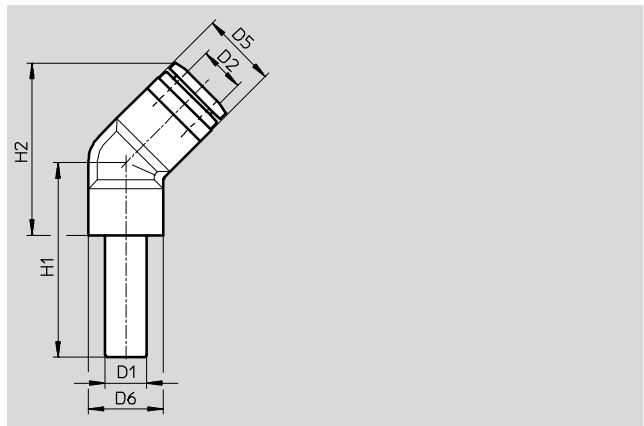
1) Packaging unit quantity

Push-in fittings QS, standard series

Technical data



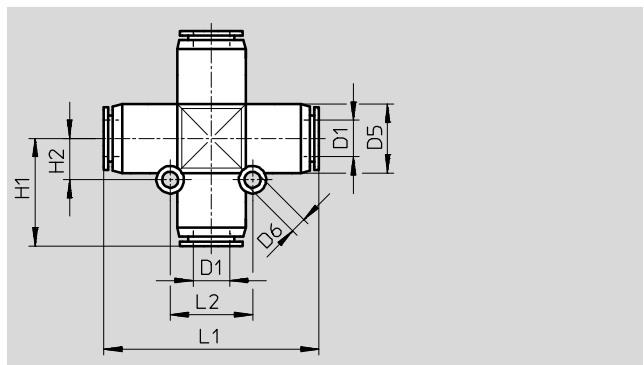
Push-in angled connector QSW-...HL
with push-in sleeve



Dimensions and ordering data										
Push-in sleeve Ø D1	Nominal size [mm]	Tubing O.D. D2	D5	D6	H1	H2	Weight/ piece [g]	Part No.	Type	PU ¹⁾
4	2	4	8	8	21.8	15	1.4	130617	QSW-4HL	10
6	2.7	6	10.5	8	24.6	17.3	2.1	130618	QSW-6HL	10
8	5	8	14.5	10	28.5	25.7	5.8	130619	QSW-8HL	10
10	6,3	10	17.5	11	31.5	30.5	9.5	130620	QSW-10HL	10
12	7,9	12	21	14	35.5	36.3	14.5	130621	QSW-12HL	10

1) Packaging unit quantity

Push-in X-connector QSX



Dimensions and ordering data											
Tubing O.D. D1	Nominal size [mm]	D5 Ø	D6 Ø	H1	H2	L1	L2	Weight/ piece [g]	Part No.	Type	PU ¹⁾
8	4.7	15	3.5	23.5	9	47	18	20	153285	QSX-8	10
10	6.1	17.5	4.5	27.5	11	55	22	32	153286	QSX-10	10
12	7.5	21	4.5	31	12	62	24	46	153287	QSX-12	10

1) Packaging unit quantity

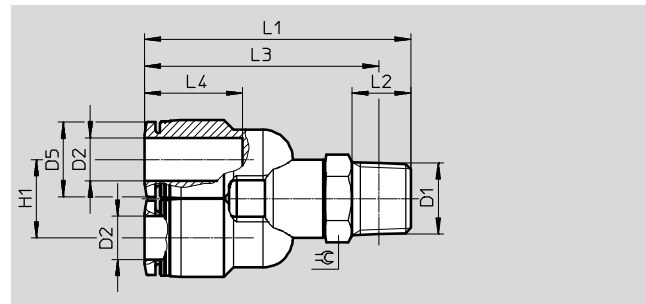
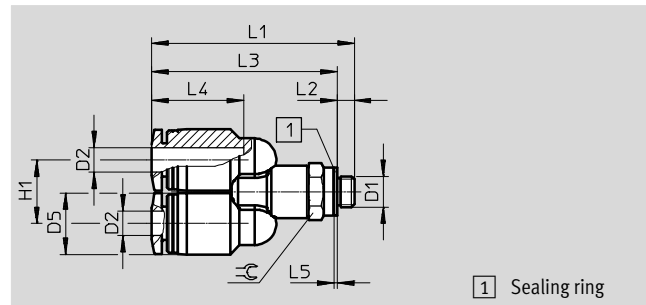
Push-in fittings QS, standard series

Technical data

Push-in Y-fitting QSY

Orientable

Male thread with external hex



Dimensions and ordering data														
Connection	Nominal size [mm]	Tubing O.D.	D5 ∅	H1	L1	L2	L3	L4	L5	⌀	Weight/ piece [g]	Part No.	Type	PU ¹⁾
D1	D2													
Metric thread with sealing ring														
M5	2.4	4	10	10.3	32.9	2.8	30.1	14.9	0.5	8	8	★ 190673	QSY-M5-4	10
	2.4	6	12.5	12.5	38.3	2.8	35.5	17	0.5	10	13	★ 190674	QSY-M5-6	10
R thread														
R ¹ / ₈	3.1	4	10	10.3	38.4	8	34.4	14.9	-	10	13	★ 153138	QSY- ¹ / ₈ -4	10
	4.2	6	12.5	12.5	41.3	8	37.3	17	-	10	15	★ 153139	QSY- ¹ / ₈ -6	10
	5.9	8	14.5	14.5	46.1	8	42.1	18.1	-	12	20	★ 153141	QSY- ¹ / ₈ -8	10
R ¹ / ₄	3.3	4	10	10.3	43.4	11	37.4	14.9	-	14	20	★ 190675	QSY- ¹ / ₄ -4	10
	4.8	6	12.5	12.5	48.3	11	42.2	17	-	14	22	★ 153140	QSY- ¹ / ₄ -6	10
	6.2	8	14.5	14.5	49.3	11	43.3	18.1	-	14	25	★ 153142	QSY- ¹ / ₄ -8	10
	7.2	10	17.5	17.5	53.6	11	47.6	20.2	-	14	32	★ 153144	QSY- ¹ / ₄ -10	10
R ³ / ₈	6.6	8	14.5	14.5	52.5	12	46.2	18.1	-	17	36	★ 153143	QSY- ³ / ₈ -8	10
	7.4	10	17.5	17.5	56.7	12	50.4	20.2	-	17	43	★ 153145	QSY- ³ / ₈ -10	10
	8.4	12	21	21	60.6	12	54.3	23.4	-	17	51	★ 153146	QSY- ³ / ₈ -12	10
R ¹ / ₂	7.8	10	17.5	17.5	60.2	15	52	20.2	-	21	66	133196	QSY- ¹ / ₂ -10	1
	8.3	12	21	21	64.7	15	56.5	23.4	-	21	74	★ 153147	QSY- ¹ / ₂ -12	1

1) Packaging unit quantity

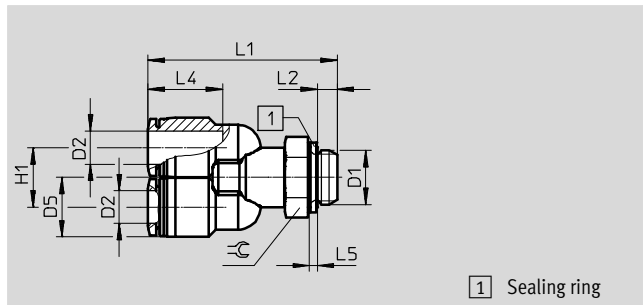
Push-in fittings QS, standard series

Technical data

Push-in Y-fitting QSY

Orientable

Male thread with external hex



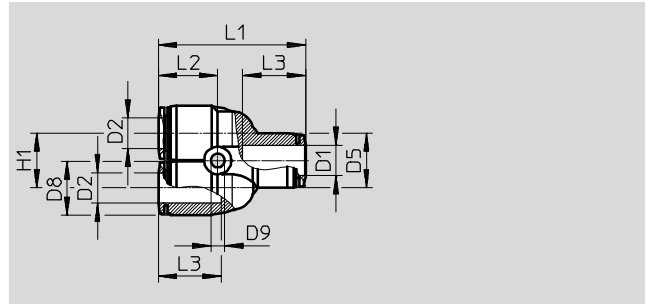
Dimensions and ordering data													
Connection	Nominal size [mm]	Tubing O.D. D2	D5 Ø	H1	L1	L2	L4	L5	≅	Weight/piece [g]	Part No.	Type	PU ¹⁾
G thread with sealing ring													
G ¹ / ₈	3.1	4	10	10.3	37.5	4.2	14.9	1.9	13	15	186179	QSY-G¹/₈-4	10
	4.2	6	12.5	12.5	40.4	4.2	17	1.9	13	17	186180	QSY-G¹/₈-6	10
	5.9	8	14.5	14.5	44.2	4.2	18.1	1.9	13	20	186182	QSY-G¹/₈-8	10
G ¹ / ₄	4.8	6	12.5	12.5	45	4.8	17	1.9	17	25	186181	QSY-G¹/₄-6	10
	6.2	8	14.5	14.5	46	4.8	18.1	1.9	17	28	186183	QSY-G¹/₄-8	10
	7.2	10	17.5	17.5	50.3	4.8	20.2	1.9	17	35	186185	QSY-G¹/₄-10	10
G ³ / ₈	6.6	8	14.5	14.5	48.7	5.8	18.1	2.4	19	35	186184	QSY-G³/₈-8	10
	7.4	10	17.5	17.5	52.9	5.8	20.2	2.4	19	42	186186	QSY-G³/₈-10	10
	8.4	12	21	21	56.8	5.8	23.4	2.4	19	50	186187	QSY-G³/₈-12	10
G ¹ / ₂	8.3	12	21	21	60.4	6.8	23.4	2.4	24	80	186188	QSY-G¹/₂-12	1

1) Packaging unit quantity

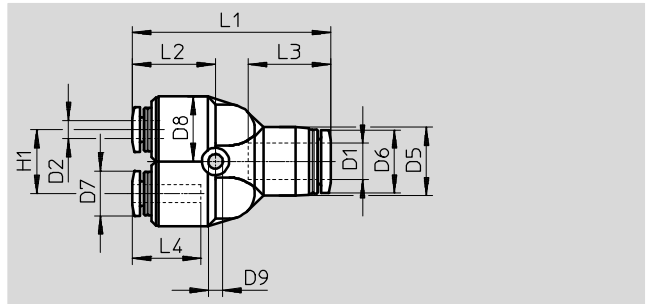
Push-in fittings QS, standard series

Technical data

Push-in Y-connector QSY



2 reducing outlets



Reducing

Dimensions and ordering data																	
Tubing O.D.	Nominal size [mm]	Tubing O.D.	D5 ∅	D6 ∅	D7 ∅	D8 ∅	D9 ∅	H1	L1	L2	L3	L4	Weight/ piece [g]	Part No.	Type	PU ¹⁾	
D1	D2	D2															
4	2.3	4	10	-	-	10	3.2	11	32.8	14.1	14.9	-	7.6	★ 153148	QSY-4	10	
														130807	QSY-4-100	100	
6	3.6	6	13	-	-	12.5	3.4	12	37.7	15.8	17	-	11	★ 153149	QSY-6	10	
														130808	QSY-6-100	100	
8	4.6	8	15	-	-	14.5	3.4	14	42.4	17.2	18.1	-	16	★ 153150	QSY-8	10	
														130809	QSY-8-50	50	
10	5.9	10	17.5	-	-	17.5	4.2	18	48.4	19.5	20.7	-	26	★ 153151	QSY-10	10	
														130810	QSY-10-20	20	
12	7	12	21	-	-	21	4.2	20	54.9	22.3	23.4	-	37	★ 153152	QSY-12	10	
														130811	QSY-12-20	20	
16	8.5	16	25	-	-	25	4.5	24	62.2	22.1	24.1	-	45	130609	QSY-16	1	
Reducing																	
6	2.3	4	13	11.8	9.9	12.5	3.4	12	37.2	15.2	17	14.9	11	★ 153153	QSY-6-4	10	
														130812	QSY-6-4-100	100	
8	1.7	4	14.5	13.8	9.9	12.5	3.4	14	41.9	16.7	18.1	14.9	13	★ 130610	QSY-8-4	10	
	3.2	6	14.5	13.8	11.8	12.5	3.4	14	42.5	17.3	18.1	17	13	★ 153154	QSY-8-6	10	
														130813	QSY-8-6-50	50	
10	3.3	6	17.5	16.8	11.8	14.5	4.5	18	48.2	19.3	20.2	17	19	★ 130611	QSY-10-6	10	
	4.5	8	17.5	16.8	13.8	14.5	4.5	18	48.1	19.2	20.2	18.1	20	★ 153155	QSY-10-8	10	
														130814	QSY-10-8-20	20	
12	4.5	8	21	19.8	13.8	17.5	4.5	20	54.3	21.7	23.4	18.1	27	★ 130612	QSY-12-8	10	
	5.8	10	21	19.8	16.8	17.5	4.5	20	54.6	22	23.4	20.2	30	★ 153156	QSY-12-10	10	
														130815	QSY-12-10-20	20	
16	7	12	25	23	19.8	25	4.5	24	62.3	22.2	24.1	23.4	48	★ 190708	QSY-16-12	1	

1) Packaging unit quantity

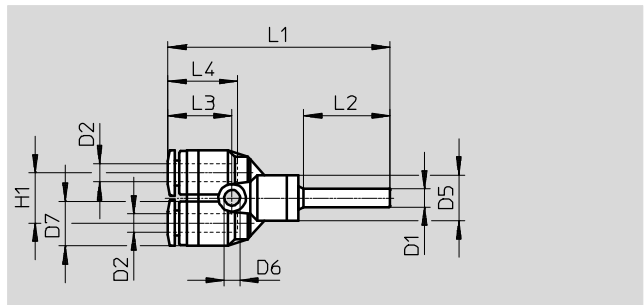
Festo core product range ★ Generally ready for shipping ex works in 24 hours
 ☆ Generally ready for shipping ex works in 5 days

Push-in fittings QS, standard series



Technical data

Push-in Y-connector QSY-...H
with push-in sleeve

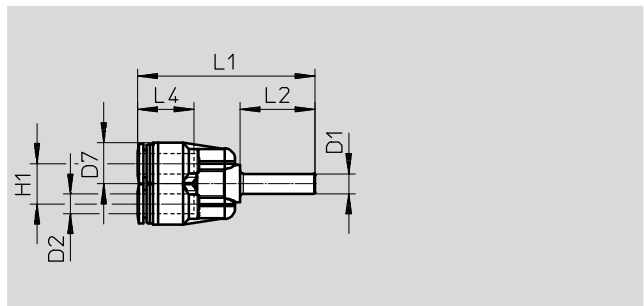
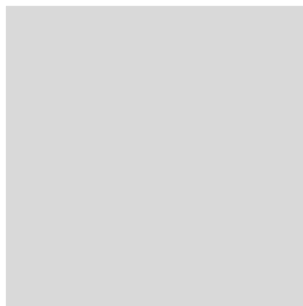


Dimensions and ordering data														
Push-in sleeve Ø	Nominal size	Tubing O.D.	D5	D6	D7	H1	L1	L2	L3	L4	Weight/ piece	Part No.	Type	PU ¹⁾
D1	[mm]	D2	Ø	Ø	Ø						[g]			
4	1.6	4	10	3.2	10	11	48.7	19	14.1	14.9	6.5	130628	QSY-4H	10
Reducing														
6	2.3	4	10	3.2	10	11	50.9	22	14.1	14.9	6.8	130633	QSY-6H-4	10

1) Packaging unit quantity

Push-in Y-connector QSY-...H-B
with push-in sleeve

No. of supply lines: 1
No. of outlets: 2



Dimensions and ordering data											
Push-in sleeve Ø	Nominal size	For tubing O.D.	D7	H1	L1	L2	L4	Weight/ piece	Part No.	Type	PU ¹⁾
D1	[mm]	D2	Ø					[g]			
6	3.1	6	12.5	12	53.2	22.5	17	8.5	133145	QSY-6H-B	10
8	4.6	8	14.5	14	56.1	23.5	18.1	13	133146	QSY-8H-B	10
10	5.9	10	17.5	18	63.2	25	20.2	21	133148	QSY-10H-B	10
12	7.3	12	21	20	71.3	29	23.4	31	133150	QSY-12H-B	10
Reducing											
8	3.6	6	12.5	12	54.2	23.5	17	8.8	133147	QSY-8H-6-B	10
10	4.6	8	14.5	14	57.6	25	18.1	13	133149	QSY-10H-8-B	10
12	5.9	10	17.5	18	67.2	29	20.2	22	133151	QSY-12H-10-B	10

1) Packaging unit quantity

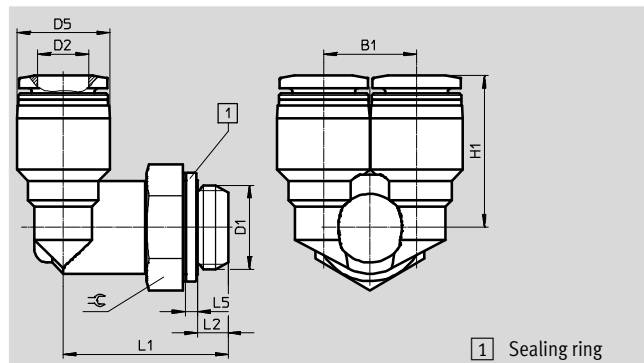
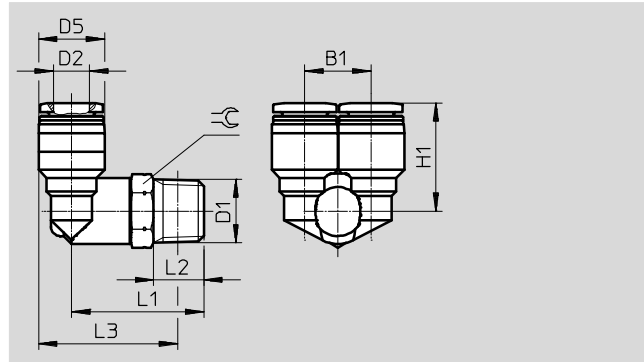
Push-in fittings QS, standard series

Technical data

Push-in Y-fitting QSYL

Orientable

Male thread with external hex



Dimensions and ordering data														
Connection	Nominal size [mm]	Tubing O.D. D2	B1	D5 Ø	H1	L1	L2	L3	L5	≅	Weight/ piece [g]	Part No.	Type	PU ¹⁾
R thread														
R ¹ / ₈	3.9	4	10.3	10	18.2	23	8	24	-	10	13	★ 153172	QSYL- ¹ / ₈ -4	1
	4.2	6	12.5	12.5	19.8	23.5	8	25.8	-	10	15	★ 153173	QSYL- ¹ / ₈ -6	1
	5.7	8	14.5	14.5	22.7	25	8	28.3	-	12	20	★ 153175	QSYL- ¹ / ₈ -8	1
R ¹ / ₄	5.3	6	12.5	12.5	21.8	29	11	29.2	-	14	22	★ 153174	QSYL- ¹ / ₄ -6	1
	7.3	8	14.5	14.5	23.7	29	11	30.2	-	14	25	★ 153176	QSYL- ¹ / ₄ -8	1
	8	10	17.5	17.5	26	29.5	11	32.2	-	14	32	★ 153178	QSYL- ¹ / ₄ -10	1
R ³ / ₈	7.3	8	14.5	14.5	24.7	32	12	32.9	-	17	37	★ 153177	QSYL- ³ / ₈ -8	1
	9.2	10	17.5	17.5	27	32.5	12	34.9	-	17	43	★ 153179	QSYL- ³ / ₈ -10	1
	9.7	12	21	21	29.2	33.5	12	37.7	-	17	51	★ 153180	QSYL- ³ / ₈ -12	1
R ¹ / ₂	10.6	12	21	21	30.2	38	15	40.3	-	21	74	★ 153181	QSYL- ¹ / ₂ -12	1
G thread with sealing ring														
G ¹ / ₈	3.9	4	10.3	10	18.2	22.1	4.2	-	1.9	13	16	186189	QSYL-G ¹ / ₈ -4	1
	4.2	6	12.5	12.5	19.8	22.6	4.2	-	1.9	13	18	186190	QSYL-G ¹ / ₈ -6	1
	5.7	8	14.5	14.5	22.7	23.1	4.2	-	1.9	13	20	186192	QSYL-G ¹ / ₈ -8	1
G ¹ / ₄	5.3	6	12.5	12.5	21.8	25.7	4.8	-	1.9	17	26	186191	QSYL-G ¹ / ₄ -6	1
	7.3	8	14.5	14.5	23.7	25.7	4.8	-	1.9	17	29	186193	QSYL-G ¹ / ₄ -8	1
	8	10	17.5	17.5	26	26.2	4.8	-	1.9	17	36	186195	QSYL-G ¹ / ₄ -10	1
G ³ / ₈	7.3	8	14.5	14.5	24.7	28.2	5.8	-	2.4	19	38	186194	QSYL-G ³ / ₈ -8	1
	9.2	10	17.5	17.5	27	28.7	5.8	-	2.4	19	45	186196	QSYL-G ³ / ₈ -10	1
	9.7	12	21	21	29.2	29.7	5.8	-	2.4	19	52	186197	QSYL-G ³ / ₈ -12	1
G ¹ / ₂	10.6	12	21	21	30.2	33.7	6.8	-	2.4	24	80	186198	QSYL-G ¹ / ₂ -12	1

1) Packaging unit quantity

Festo core product range

- ★ Generally ready for shipping ex works in 24 hours
- ☆ Generally ready for shipping ex works in 5 days

Push-in fittings QS, standard series

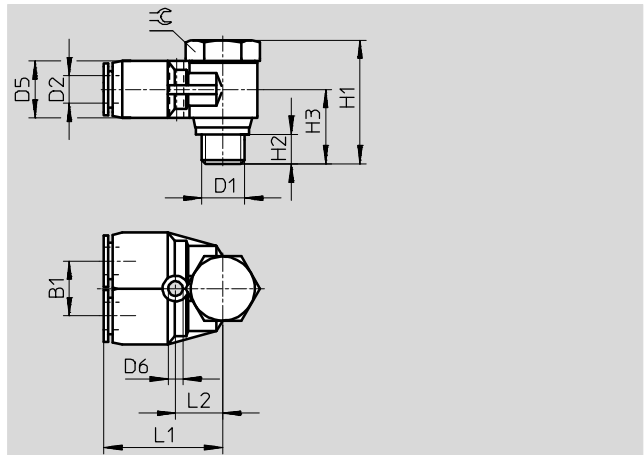
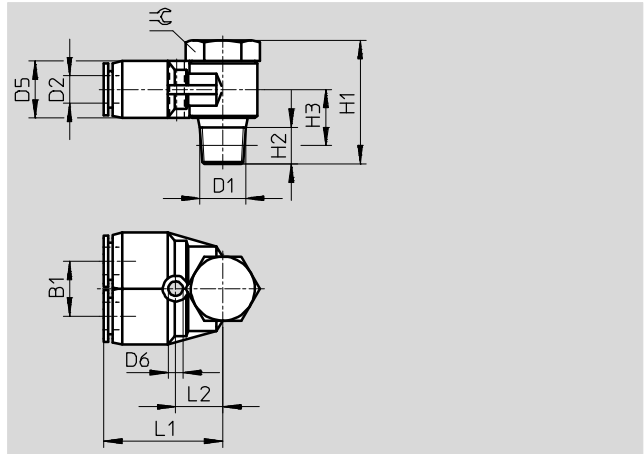
Technical data



Push-in Y-fitting QSYLV

Orientable

Male thread with external hex



Dimensions and ordering data																
Connection	Nominal size	Tubing O.D.	B1	D5	D6	H1	H2	H3	L1	L2	⌀	Weight/ piece	Part No.	Type	PU ¹⁾	
D1	[mm]	D2		∅	∅							[g]				
R thread																
R $\frac{1}{8}$	3.3	6	12	12.5	3.2	27	8	11	26	10.5	14	24.5	153192	QSYLV- $\frac{1}{8}$ -6	1	
R $\frac{1}{4}$	4.4	8	14	14.5	3.2	31.5	11	12.5	29	12.5	17	41.5	153193	QSYLV- $\frac{1}{4}$ -8	1	
R $\frac{3}{8}$	5.7	10	17	17.5	4.2	36	12	14.5	33.5	15	21	69.5	153194	QSYLV- $\frac{3}{8}$ -10	1	
R $\frac{1}{2}$	7.1	12	20	21	4.2	40	15	17.5	37.5	17	24	102	153195	QSYLV- $\frac{1}{2}$ -12	1	
G thread with sealing ring																
G $\frac{1}{8}$	3.5	6	12	12.4	3.2	26.2	5.1	15.2	27.5	12	17	31	186209	QSYLV-G $\frac{1}{8}$ -6	1	
G $\frac{1}{4}$	4.7	8	14	14.4	3.2	28.4	5.6	16.4	30.9	14	19	48	186210	QSYLV-G $\frac{1}{4}$ -8	1	
G $\frac{3}{8}$	5.2	10	17	17.6	4.2	33.4	6.6	19.4	34	15.5	21	73	186211	QSYLV-G $\frac{3}{8}$ -10	1	
G $\frac{1}{2}$	7	12	20	21	4.2	37.4	7.6	21.9	38.9	18.5	27	123	186212	QSYLV-G $\frac{1}{2}$ -12	1	

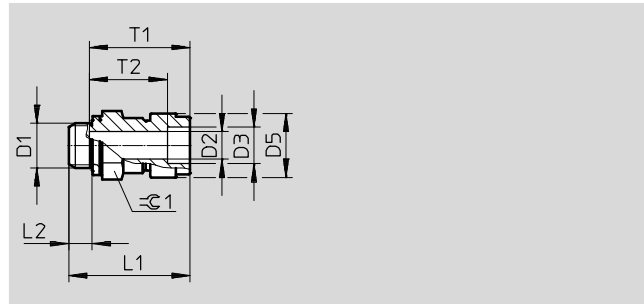
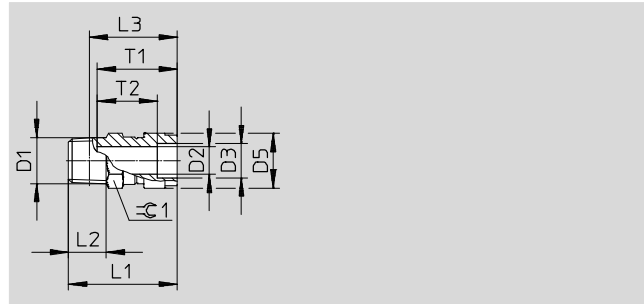
1) Packaging unit quantity

Push-in fittings QS-V0, weld spatter resistant

Technical data

Push-in fitting QS-V0

Male thread with external hex



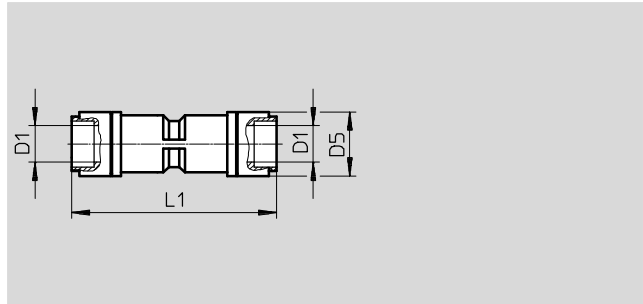
Dimensions and ordering data														
Pneumatic connection		Nom-inal size [mm]	Dimensions [mm]								Weight/ piece [g]	Part No.	Type	PU ¹⁾
Male thread	For tubing O.D.		D3 Ø	D5 Ø	L1	L2	L3	T1	T2	≈ 1				
D1	D2													
R thread														
R ¹ / ₈	4	3	6	12	26.1	8	22.1	20	15	10	7.9	132888	QS-V0-1/8-4	10
	6	5	8	14	27.4	8	23.4	22.1	16.5	12	8.7	160500	QS-V0-1/8-6	10
	8	6	10	16	33.1	8	29.1	23.4	17.5	14	14	160501	QS-V0-1/8-8	10
R ¹ / ₄	6	5	8	14	28.8	11	22.7	22.1	16.5	14	15	160502	QS-V0-1/4-6	10
	8	7	10	16	31.8	11	25.8	23.4	17.5	14	15	160503	QS-V0-1/4-8	10
	10	8.5	12	19	35	11	29	25.9	20	17	20	160504	QS-V0-1/4-10	10
	12	8.5	14	22	40.9	11	34.9	28.3	23.3	21	28	160505	QS-V0-1/4-12	1
R ³ / ₈	8	7	10	16	30.7	12	24.4	23.4	17.5	17	25	160506	QS-V0-3/8-8	10
	10	9	12	19	34.5	12	28.2	25.9	20	17	25	160507	QS-V0-3/8-10	10
	12	11	14	22	36.9	12	30.6	28.3	23.3	21	31	160508	QS-V0-3/8-12	1
R ¹ / ₂	10	9	12	19	35.6	15	27.4	25.9	20	21	46	160509	QS-V0-1/2-10	1
	12	11	14	22	38.9	15	30.7	28.3	23.3	21	45	160510	QS-V0-1/2-12	1
G thread with sealing ring														
G ¹ / ₈	6	5	8	14	25.7	4.2	-	22.1	16.5	13	8.7	186314	QS-V0-G1/8-6	10
	8	6	10	16	31	4.2	-	23.4	17.5	14	13	186315	QS-V0-G1/8-8	10
G ¹ / ₄	6	5	8	14	26.3	4.8	-	22.1	16.5	17	17	186316	QS-V0-G1/4-6	10
	8	7	10	16	27.1	4.8	-	23.4	17.5	17	15	186317	QS-V0-G1/4-8	10
	10	8.5	12	19	34.1	4.8	-	25.9	20	17	22	186318	QS-V0-G1/4-10	10
	12	8.5	14	22	39.1	4.8	-	28.3	23.3	21	30	186319	QS-V0-G1/4-12	1
G ³ / ₈	8	7	10	16	26.9	5.8	-	23.4	17.5	19	22	186320	QS-V0-G3/8-8	10
	10	9	12	19	30.6	5.8	-	25.9	20	19	23	186321	QS-V0-G3/8-10	10
	12	11	14	22	36.5	5.8	-	28.3	23.3	21	33	186322	QS-V0-G3/8-12	1
G ¹ / ₂	10	9	12	19	31.3	6.8	-	25.9	20	24	43	186323	QS-V0-G1/2-10	1
	12	11	14	22	33	6.8	-	28.3	23.3	24	40	186324	QS-V0-G1/2-12	1

1) Packaging unit quantity

Push-in fittings QS-V0, weld spatter resistant

Technical data

Push-in connector QS-V0



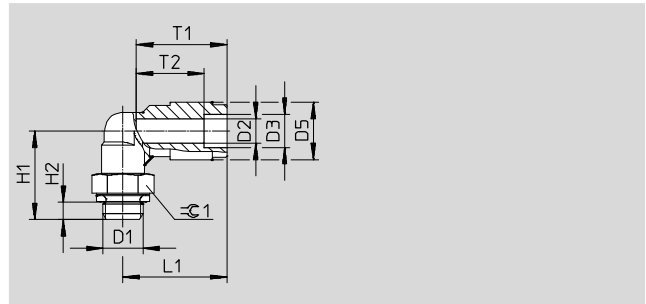
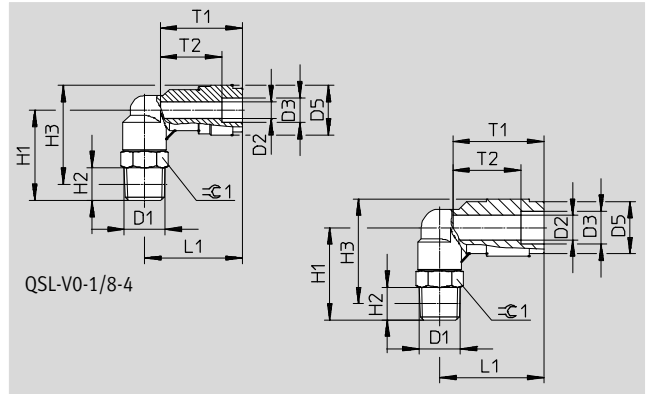
Dimensions and ordering data							
Pneumatic connection	Nominal size [mm]	Dimensions [mm]		Weight/piece [g]	Part No.	Type	PU ¹⁾
For tubing O.D.		D5 ∅	L1				
D1							
4	2.6	12	41	6	132890	QS-V0-4	10
6	4	14	45.1	7.9	160546	QS-V0-6	10
8	5	16	48.2	11	160547	QS-V0-8	10
10	6.7	19	51.8	18	160548	QS-V0-10	10
12	8.7	22.2	57.8	26	160549	QS-V0-12	1

1) Packaging unit quantity

Push-in fittings QS-V0, weld spatter resistant

Technical data

Push-in L-fitting QSL-V0
Male thread with external hex



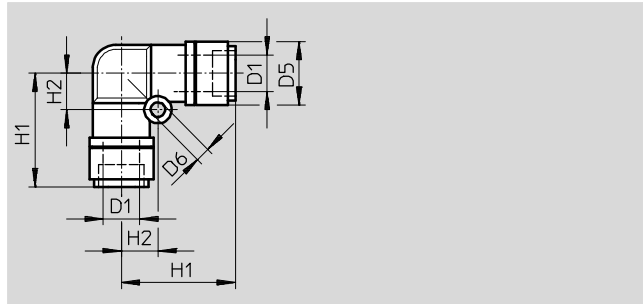
Dimensions and ordering data															
Pneumatic connection		Nom- inal size [mm]	Dimensions [mm]									Weight/ piece [g]	Part No.	Type	PU ¹⁾
Male thread	For tubing O.D.		D3 ∅	D5 ∅	H1	H2	H3	L1	T1	T2	±0.1				
D1	D2														
R thread															
R ¹ / ₈	4	2.8	6	12	22	8	24	23.8	20	15	10	11	132891	QSL-V0-1/8-4	10
	6	4.2	8	14	22.5	8	25.5	25.4	22.1	16.5	10	12	160511	QSL-V0-1/8-6	10
	8	6	10	16	24	8	28	27.9	23.3	17.4	12	15	160512	QSL-V0-1/8-8	10
R ¹ / ₄	6	4.3	8	14	28	11	29	28.9	22.1	16.5	14	20	160513	QSL-V0-1/4-6	10
	8	6.7	10	16	28	11	30	28.9	23.3	17.4	14	21	160514	QSL-V0-1/4-8	10
	10	8	12	19	28.5	11	32	31.2	25.4	19.5	14	25	160515	QSL-V0-1/4-10	10
	12	8	14	22.2	29.8	11	34.8	34	28.4	23.4	14	29	160516	QSL-V0-1/4-12	1
R ³ / ₈	8	6.7	10	16	31	12	32.7	29.9	23.3	17.4	17	32	160517	QSL-V0-3/8-8	10
	10	8.3	12	19	32	12	35.2	32.2	25.4	19.5	17	36	160518	QSL-V0-3/8-10	10
	12	10	14	22.2	32.5	12	37.3	34.7	28.4	23.4	17	40	160519	QSL-V0-3/8-12	1
R ¹ / ₂	10	8.3	12	19	36	15	37.3	32.7	25.4	19.5	21	59	160520	QSL-V0-1/2-10	1
	12	10.3	14	22.2	36.5	15	39.4	35.7	28.4	23.4	21	64	160521	QSL-V0-1/2-12	1
G thread with sealing ring															
G ¹ / ₈	6	4.2	8	14	21.6	4.2	-	25.4	22.1	16.5	13	15	186325	QSL-V0-G1/8-6	10
	8	6	10	16	22.1	4.2	-	27.9	23.3	17.4	13	16	186326	QSL-V0-G1/8-8	10
G ¹ / ₄	6	4.3	8	14	24.7	4.8	-	26.9	22.1	16.5	17	23	186327	QSL-V0-G1/4-6	10
	8	6.7	10	16	24.7	4.8	-	28.9	23.3	17.4	17	25	186328	QSL-V0-G1/4-8	10
	10	8	12	19	25.2	4.8	-	31.2	25.4	19.5	17	29	186329	QSL-V0-G1/4-10	10
	12	8	14	22.2	26.5	4.8	-	34	28.4	23.4	17	33	186330	QSL-V0-G1/4-12	1
G ³ / ₈	8	6.7	10	16	27.2	5.8	-	29.9	23.3	17.4	19	33	186331	QSL-V0-G3/8-8	10
	10	8.3	12	19	28.2	5.8	-	32.2	25.4	19.5	19	37	186332	QSL-V0-G3/8-10	10
	12	10	14	22.2	28.7	5.8	-	34.7	28.4	23.4	19	41	186333	QSL-V0-G3/8-12	1
G ¹ / ₂	10	8.3	12	19	31.7	6.8	-	32.7	25.4	19.5	24	65	186334	QSL-V0-G1/2-10	1
	12	10.3	14	22.2	32.2	6.8	-	35.7	28.4	23.4	24	69	186335	QSL-V0-G1/2-12	1

1) Packaging unit quantity

Push-in fittings QS-V0, weld spatter resistant

Technical data

Push-in L-connector QSL-V0



Dimensions and ordering data									
Pneumatic connection	Nom- inal size [mm]	Dimensions [mm]				Weight/ piece [g]	Part No.	Type	PU ¹⁾
For tubing O.D. D1		D5 ∅	D6 ∅	H1	H2				
4	2.3	12	3.2	22	6.5	6.4	132893	QSL-V0-4	10
6	3.6	14	3.2	25.2	8	8.7	160540	QSL-V0-6	10
8	4.6	16	4.2	27.6	10	13	160541	QSL-V0-8	10
10	6.2	19	4.2	31.4	12	20	160542	QSL-V0-10	10
12	7.7	22.2	4.2	34.4	14	29	160543	QSL-V0-12	1

1) Packaging unit quantity

Push-in fittings QS-V0, weld spatter resistant

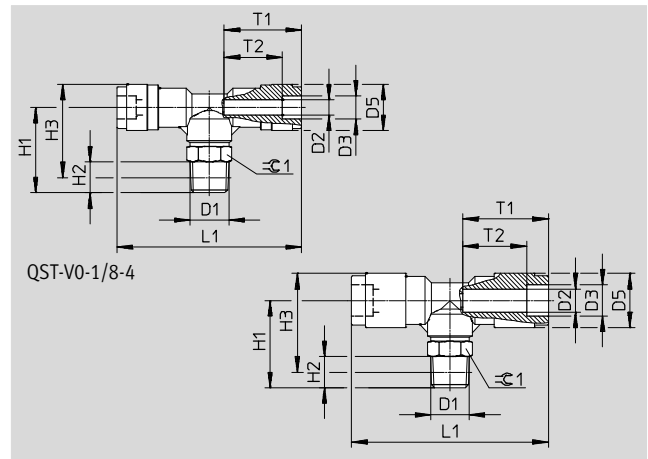
Technical data

Push-in T-fitting QST-V0

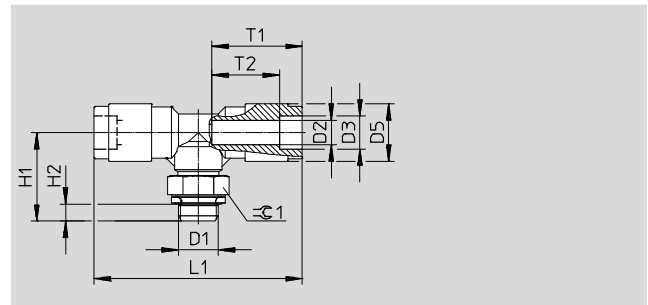
Male thread with external hex



R thread



G thread



Dimensions and ordering data															
Pneumatic connection		Nominal size [mm]	Dimensions [mm]									Weight/ piece [g]	Part No.	Type	PU ¹⁾
Male thread	For tubing O.D.		D3 Ø	D5 Ø	H1	H2	H3	L1	T1	T2	≈ 1				
D1	D2														
R thread															
R ¹ / ₈	4	2.8	6	12	22	8	24	47.6	20	15	10	14	132894	QST-V0-1/8-4	10
	6	4.2	8	14	22.5	8	25.5	50.7	22.1	16.5	10	16	160522	QST-V0-1/8-6	10
	8	6	10	16	24	8	28	55.8	23.3	17.4	12	20	160523	QST-V0-1/8-8	10
R ¹ / ₄	6	4.3	8	14	28	11	29	53.7	22.1	16.5	14	24	160524	QST-V0-1/4-6	10
	8	6.7	10	16	28	11	30	57.8	23.3	17.4	14	26	160525	QST-V0-1/4-8	10
	10	8	12	19	28.5	11	32	62.4	25.4	19.5	14	33	160526	QST-V0-1/4-10	10
	12	8	14	22.2	29.8	11	34.8	67.9	28.4	23.4	14	42	160527	QST-V0-1/4-12	1
R ³ / ₈	8	6.7	10	16	31	12	32.7	59.8	23.3	17.4	17	37	160528	QST-V0-3/8-8	10
	10	8.3	12	19	32	12	35.2	64.4	25.4	19.5	17	44	160529	QST-V0-3/8-10	10
	12	10	14	22.2	32.5	12	37.3	69.4	28.4	23.4	17	53	160530	QST-V0-3/8-12	1
R ¹ / ₂	10	8.3	12	19	36	15	37.3	65.4	25.4	19.5	21	68	160531	QST-V0-1/2-10	1
	12	10.3	14	22.2	36.5	15	39.4	71.4	28.4	23.4	21	77	160532	QST-V0-1/2-12	1
G thread with sealing ring															
G ¹ / ₈	6	4.2	8	14	21.6	4.2	-	50.8	22.1	16.5	13	19	186336	QST-V0-G1/8-6	10
	8	6	10	16	22.1	4.2	-	55.8	23.3	17.4	13	21	186337	QST-V0-G1/8-8	10
G ¹ / ₄	6	4.3	8	14	24.7	4.8	-	53.8	22.1	16.5	17	28	186338	QST-V0-G1/4-6	10
	8	6.7	10	16	24.7	4.8	-	57.8	23.3	17.4	17	30	186339	QST-V0-G1/4-8	10
	10	8	12	19	25.2	4.8	-	62.4	25.4	19.5	17	37	186340	QST-V0-G1/4-10	10
	12	8	14	22.2	26.5	4.8	-	67.9	28.4	23.4	17	46	186341	QST-V0-G1/4-12	1
G ³ / ₈	8	6.7	10	16	27.2	5.8	-	59.8	23.3	17.4	19	39	186342	QST-V0-G3/8-8	10
	10	8.3	12	19	28.2	5.8	-	64.4	25.4	19.5	19	46	186343	QST-V0-G3/8-10	10
	12	10	14	22.2	28.7	5.8	-	69.4	28.4	23.4	19	54	186344	QST-V0-G3/8-12	1
G ¹ / ₂	10	8.3	12	19	31.7	6.8	-	65.4	25.4	19.5	24	73	186345	QST-V0-G1/2-10	1
	12	10.3	14	22.2	32.2	6.8	-	71.4	28.4	23.4	24	82	186346	QST-V0-G1/2-12	1

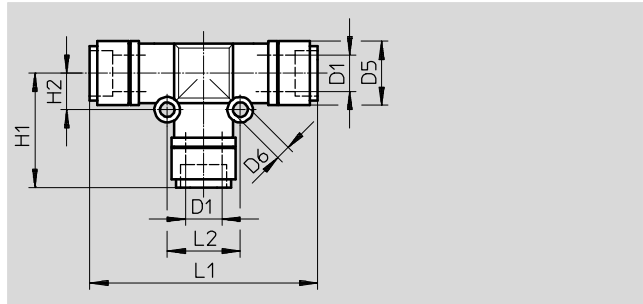
1) Packaging unit quantity

Push-in fittings QS-V0, weld spatter resistant

Technical data



Push-in T-connector QST-V0



Dimensions and ordering data											
Pneumatic connection	Nom- inal size [mm]	Dimensions [mm]						Weight/ piece [g]	Part No.	Type	PU ¹⁾
For tubing O.D. D1		D5 ∅	D6 ∅	H1	H2	L1	L2				
4	2.6	12	3.2	22.3	6.5	44.6	13	9.4	132896	QST-V0-4	10
6	4	14	3.2	25.15	8	50.3	16	14	160533	QST-V0-6	10
8	5	16	3.2	27.4	9	54.8	18	18	160534	QST-V0-8	10
10	6.7	19	4.2	30.4	12	60.8	24	28	160535	QST-V0-10	10
12	8.7	22.2	4.2	33.2	14	66.8	28	41	160536	QST-V0-12	1

1) Packaging unit quantity

Push-in fittings QS

Accessories

Release tool QSO

Release aid for QS push-in fittings



Dimensions and ordering data				
Tubing O.D.	Weight/ piece [g]	Part No.	Type	PU ¹⁾
3 ... 10	13	158419	QSO	1

1) Packaging unit quantity