



37-8060 - (7200-FG)

BSPT Male x JIC Male 90 Deg Compact Elbow 37 Deg Cone



BRENNAN INDUSTRIES, EXTRAORDINARY FITTINGS

In business for over 60 years, Brennan supplies more than 50,000 types of hydraulic fittings and adaptors in sizes ranging from 1/16 to 3 inches.

Learn More at Brennan University:

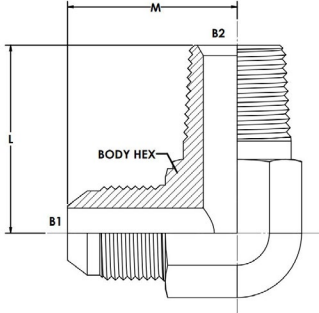
[Fittings 101](#)

[Tube Fittings Resources](#)

[Literature and Certifications](#)

Tech Data Sheet: 71412

37-8060 - (7200-FG)



DESCRIPTION:

BSPT Male x JIC Male 90 Deg
Compact Elbow 37 Deg Cone

UK SERIES:

37-8060

US SERIES:

7200-FG

THREAD TYPE B1:

MALE JIC SAE 37 DEGREE FLARE

THREAD SPECIFICATION B1:

SAE J514

THREAD TYPE B2:

MALE BSPT (R)

THREAD SPECIFICATION B2:

ISO 7-1

BODY MATERIAL:

STEEL

| Item | THREAD SIZE B1 | THREAD DRILL B1 (MM) | THREAD SIZE B2 | THREAD DRILL B2 (MM) |
|---------------|----------------|----------------------|----------------|----------------------|
| 37-8060-04-02 | 7/16-20 | 4.4 | 1/8-28 | 4.8 |
| 37-8060-04-04 | 7/16-20 | 4.4 | 1/4-19 | 7.1 |
| 37-8060-04-06 | 7/16-20 | 4.4 | 3/8-19 | 9.0 |
| 37-8060-05-02 | 1/2-20 | 6.0 | 1/8-28 | |
| 37-8060-05-04 | 1/2-20 | 6.0 | 1/4-19 | 7.1 |
| 37-8060-06-02 | 9/16-18 | 7.5 | 1/8-28 | 4.5 |
| 37-8060-06-04 | 9/16-18 | 7.5 | 1/4-19 | 7.1 |
| 37-8060-06-06 | 9/16-18 | 7.5 | 3/8-19 | 10.3 |
| 37-8060-06-08 | 9/16-18 | 7.5 | 1/2-14 | 13.1 |
| 37-8060-08-04 | 3/4-16 | 9.9 | 1/4-19 | 6.0 |
| 37-8060-08-06 | 3/4-16 | 9.9 | 3/8-19 | 10.3 |
| 37-8060-08-08 | 3/4-16 | 9.9 | 1/2-14 | 13.5 |
| 37-8060-08-12 | 3/4-16 | 9.9 | 3/4-14 | 17.0 |
| 37-8060-10-06 | 7/8-14 | 12.3 | 3/8-19 | 9.0 |
| 37-8060-10-08 | 7/8-14 | 12.3 | 1/2-14 | 13.0 |
| 37-8060-10-12 | 7/8-14 | 12.3 | 3/4-14 | 17.0 |
| 37-8060-12-08 | 1-1/16-12 | 15.5 | 1/2-14 | 12.0 |
| 37-8060-12-12 | 1-1/16-12 | 15.5 | 3/4-14 | 18.3 |
| 37-8060-12-16 | 1-1/16-12 | 15.5 | 1-11 | 22.0 |
| 37-8060-16-12 | 1-5/16-12 | 21.4 | 3/4-14 | 18.3 |
| 37-8060-16-16 | 1-5/16-12 | 21.4 | 1-11 | 23.8 |
| 37-8060-20-16 | 1-5/8-12 | 27.4 | 1-11 | 23.8 |
| 37-8060-20-20 | 1-5/8-12 | 27.4 | 1-1/4-11 | 31.7 |
| 37-8060-20-24 | 1-5/8-12 | | 1-1/2-11 | |
| 37-8060-24-20 | 1-7/8-12 | 33.3 | 1-1/4-11 | 31.7 |
| 37-8060-24-24 | 1-7/8-12 | 33.3 | 1-1/2-11 | 38.1 |
| 37-8060-32-32 | 2-1/2-12 | 49.2 | 2-11 | 45.2 |