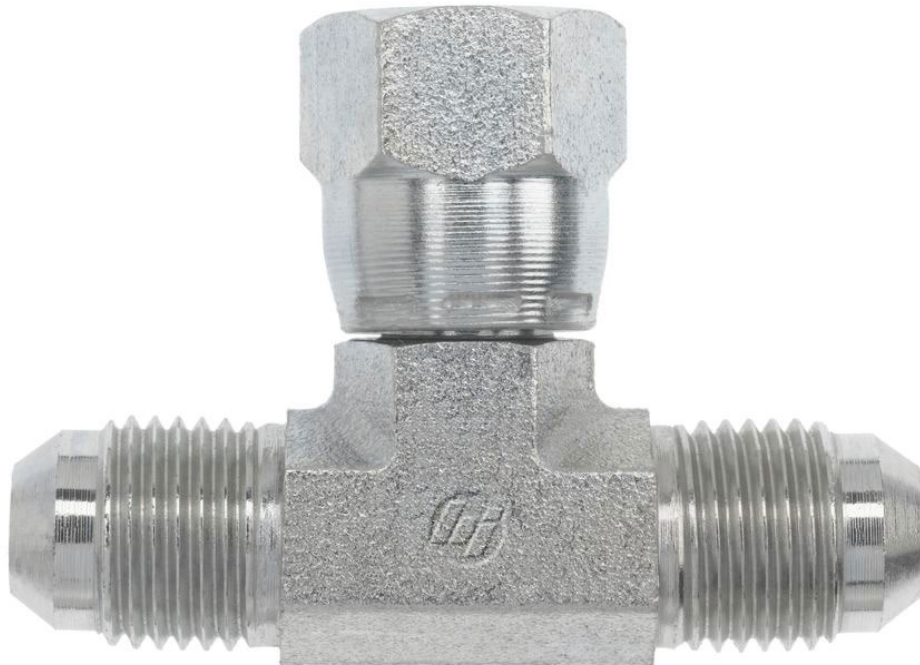




## 37-9020 - (6600-FG)

Male JIC x Male JIC x Female JIC Swivel Tee



### **BRENNAN INDUSTRIES, EXTRAORDINARY FITTINGS**

In business for over 60 years, Brennan supplies more than 50,000 types of hydraulic fittings and adaptors in sizes ranging from 1/16 to 3 inches.

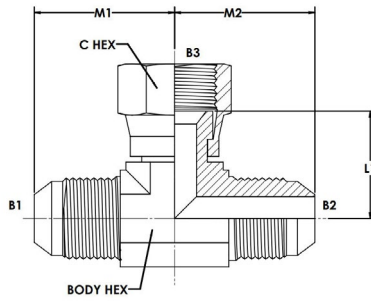
#### **Learn More at Brennan University:**

[Fittings 101](#)

[Tube Fittings Resources](#)

[Literature and Certifications](#)

**Tech Data Sheet:**



# 37-9020 - (6600-FG)

**DESCRIPTION:**

**MALE JIC X MALE JIC X FEMALE JIC SWIVEL TEE**

**UK PART NUMBER:**

**37-9020**

**US PART NUMBER:**

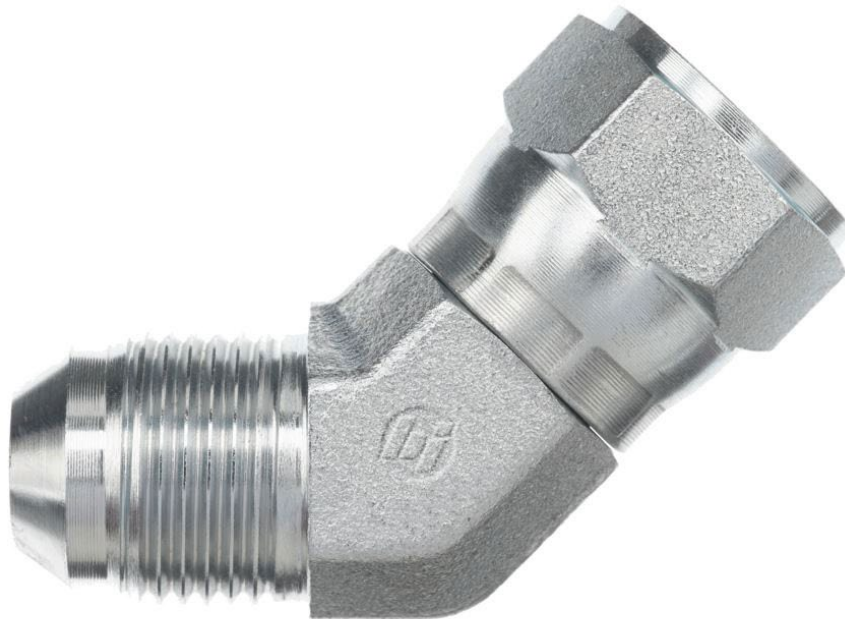
**6600-FG**

Item	TUBE O.D.	A1 SAE 37 Deg	A2 SAE 37 Deg	A3 SAE 37 Deg	A1 DRILL	A2 DRILL	A3 DRILL	M LGTH	M4 LGTH	M6 LGTH	C HEX
37-9020-03-03-03	3/16	3/8-24	3/8-24	3/8-24	0.125	0.125	0.125	0.830	0.660	1.000	0.500
37-9020-04-04-04	1/4	7/16-20	7/16-20	7/16-20	0.172	0.172	0.172	0.89	0.65	1.00	0.563
37-9020-05-05-05	5/16	1/2-20	1/2-20	1/2-20	0.234	0.234	0.234	0.95	0.68	1.06	0.625
37-9020-06-06-06	3/8	9/16-18	9/16-18	9/16-18	0.297	0.297	0.297	1.06	0.87	1.25	0.688
37-9020-06-06-08	3/8	9/16-18	9/16-18	3/4-16	0.297	0.297	0.391	1.140	0.950	1.380	0.875
37-9020-08-08-08	1/2	3/4-16	3/4-16	3/4-16	0.391	0.391	0.391	1.25	0.95	1.38	0.875
37-9020-10-10-10	5/8	7/8-14	7/8-14	7/8-14	0.484	0.484	0.484	1.450	1.120	1.620	1.000
37-9020-12-12-10	3/4	1-1/16-12	1-1/16-12	7/8-14	0.609	0.609	0.484	1.66	1.130	1.630	1.000
37-9020-12-12-12	3/4	1-1/16-12	1-1/16-12	1-1/16-12	0.609	0.609	0.609	1.66	1.18	1.75	1.250
37-9020-14-14-14	7/8	1-3/16-12	1-3/16-12	1-3/16-12	0.719	0.719	0.719	1.80	1.20	1.78	1.375
37-9020-16-16-16	1	1-5/16-12	1-5/16-12	1-5/16-12	0.844	0.844	0.844	1.81	1.40	2.00	1.500
37-9020-20-20-20	1-1/4	1-5/8-12	1-5/8-12	1-5/8-12	1.078	1.078	1.078	2.06	1.67	2.31	2.000
37-9020-24-24-24	1-1/2	1-7/8-12	1-7/8-12	1-7/8-12	1.312	1.312	1.312	2.330	1.870	2.590	2.250
37-9020-32-32-32	2	2-1/2-12	2-1/2-12	2-1/2-12	1.781	1.781	1.781	3.06	2.43	3.38	2.875



## 37-7040 - (6502-FG)

JIC Male x JIC Swivel Female 45 Deg Forged Compact Elbow  
37 Deg Cone



### **BRENNAN INDUSTRIES, EXTRAORDINARY FITTINGS**

In business for over 60 years, Brennan supplies more than 50,000 types of hydraulic fittings and adaptors in sizes ranging from 1/16 to 3 inches.

#### **Learn More at Brennan University:**

[Fittings 101](#)

[Tube Fittings Resources](#)

[Literature and Certifications](#)

**Tech Data Sheet: 71417**

# 37-7040 - (6502-FG)

## DESCRIPTION:

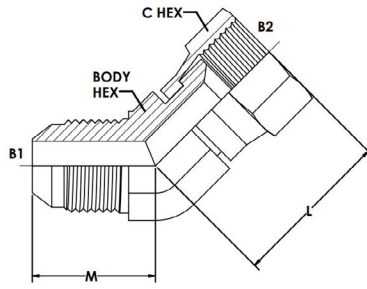
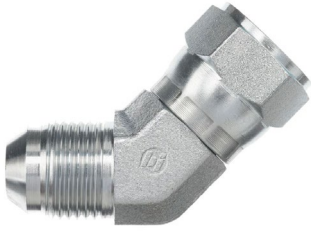
JIC MALE X JIC SWIVEL FEMALE 45 DEG  
FORGED COMPACT ELBOW 37 DEG CONE

## UK PART NUMBER:

37-7040

## US PART NUMBER:

6502-FG



Item	TUBE O.D.	B1 SAE 37 Deg	B2 SAE 37 Deg	B1 DRILL	B2 DRILL	M2 LGTH	M LGTH	M6 LGTH	C HEX	Y FLATS	Material
37-7040-02-02	1/8	5/16-24	5/16-24	0.062	0.062	0.690	0.630	0.940	0.438	0.438	STEEL
37-7040-03-03	3/16	3/8-24	3/8-24	0.125	0.125	0.690	0.605	0.940	0.438	0.438	STEEL
37-7040-04-04	1/4	7/16-20	7/16-20	0.172	0.172	0.72	0.59	0.94	0.563	0.438	STEEL
37-7040-05-05	5/16	1/2-20	1/2-20	0.234	0.234	0.770	0.620	1.000	0.625	0.562	STEEL
37-7040-06-06	3/8	9/16-18	9/16-18	0.297	0.297	0.83	0.75	1.12	0.688	0.562	STEEL
37-7040-08-08	1/2	3/4-16	3/4-16	0.391	0.391	0.98	0.85	1.28	0.875	0.750	STEEL
37-7040-10-08	5/8	7/8-14	3/4-16	0.484	0.391	1.11	0.91	1.33	0.875	0.875	STEEL
37-7040-10-10	5/8	7/8-14	7/8-14	0.484	0.484	1.11	0.94	1.44	1.000	0.875	STEEL
37-7040-12-12	3/4	1-1/16-12	1-1/16-12	0.609	0.609	1.280	0.931	1.500	1.250	1.062	STEEL
37-7040-14-14	7/8	1-3/16-12	1-3/16-12	0.719	0.719	1.45	1.04	1.62	1.375	1.312	STEEL
37-7040-16-12	1	1-5/16-12	1-1/16-12	0.844	0.609	1.47	1.14	1.70	1.250	1.312	STEEL
37-7040-16-16	1	1-5/16-12	1-5/16-12	0.844	0.844	1.47	1.15	1.75	1.500	1.312	STEEL
37-7040-20-20	1 1/4	1-5/8-12	1-5/8-12	1.078	1.078	1.59	1.405	2.03	2.000	1.625	STEEL
37-7040-24-24	1 1/2	1-7/8-12	1-7/8-12	1.312	1.312	1.78	1.53	2.25	2.250	1.875	STEEL
37-7040-32-32	2	2-1/2-12	2-1/2-12	1.781	1.781	2.220	1.960	2.910	2.875	2.500	STEEL