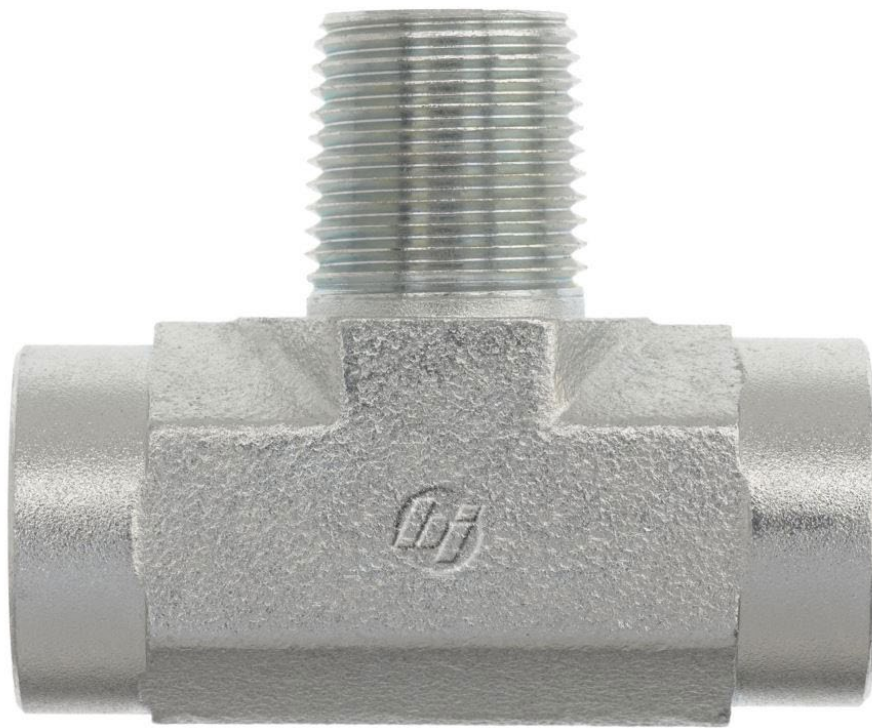




50-5604 - (5604-FG)

NPT Female x NPT Female x NPT Male Branch Tee



BRENNAN INDUSTRIES, EXTRAORDINARY FITTINGS

In business for over 60 years, Brennan supplies more than 50,000 types of hydraulic fittings and adaptors in sizes ranging from 1/16 to 3 inches.

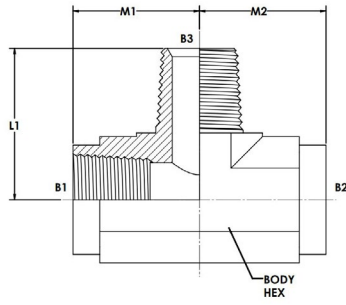
Learn More at Brennan University:

[Fittings 101](#)

[Tube Fittings Resources](#)

[Literature and Certifications](#)

Tech Data Sheet: 71530



50-5604 - (5604-FG)

DESCRIPTION:

**NPT FEMALE X NPT FEMALE X NPT MALE
BRANCH TEE**

UK PART NUMBER:

50-5604

US PART NUMBER:

5604-FG

Item	A1 NPTF	A2 NPTF	A3 NPTF	A3 DRILL	N1 LGTH	N2 LGTH	N LGTH	Y FLATS	Material
50-5604-02-02-02	1/8-27	1/8-27	1/8-27	0.188	0.660	0.660	0.780	0.562	STEEL
50-5604-04-04-04	1/4-18	1/4-18	1/4-18	0.281	0.88	0.88	1.09	0.750	STEEL
50-5604-06-06-06	3/8-18	3/8-18	3/8-18	0.406	1.020	1.020	1.220	0.875	STEEL
50-5604-08-08-08	1/2-14	1/2-14	1/2-14	0.531	1.230	1.230	1.470	1.062	STEEL
50-5604-12-12-12	3/4-14	3/4-14	3/4-14	0.719	1.36	1.36	1.59	1.312	STEEL
50-5604-16-16-16	1-11 1/2	1-11 1/2	1-11 1/2	0.938	1.620	1.620	1.970	1.625	STEEL
50-5604-20-20-20	1 1/4-11 1/2	1 1/4-11 1/2	1 1/4-11 1/2	1.250	1.700	1.700	2.380	1.875	STEEL
50-5604-24-24-24	1-1/2-11-1/2	1-1/2-11-1/2	1-1/2-11-1/2	1.500	2.080	2.080	2.640	2.562	STEEL
50-5604-32-32-32	2-11-1/2	2-11-1/2	2-11-1/2	1.938	2.390	2.390	3.000	2.812	STEEL