



7688-C - (7688-C)

JIS Female Cap (BSPP Threads)



BRENNAN INDUSTRIES, EXTRAORDINARY FITTINGS

In business for over 60 years, Brennan supplies more than 50,000 types of hydraulic fittings and adaptors in sizes ranging from 1/16 to 3 inches.

Learn More at Brennan University:

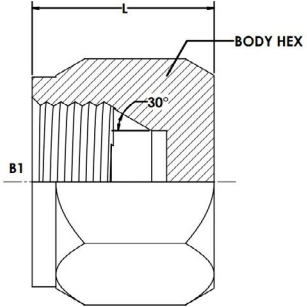
[Fittings 101](#)

[Tube Fittings Resources](#)

[Literature and Certifications](#)

Tech Data Sheet: 71569

7688-C - (7688-C)



DESCRIPTION:

JIS Female Cap (BSPP Threads)

UK SERIES:

7688-C

US SERIES:

7688-C

THREAD TYPE B1:

FEMALE JIS 30 DEGREE FLARE

THREAD SPECIFICATION B1:

BSPP THREAD WITH 30 DEG FLARE

THREAD SPECIFICATION B1:

JIS B 0202

BODY MATERIAL:

STEEL

Item	THREAD SIZE B1
7688-C-02	1/8-28
7688-C-04	1/4-19
7688-C-06	3/8-19
7688-C-08	1/2-14
7688-C-10	5/8-14
7688-C-12	3/4-14
7688-C-16	1-11
7688-C-20	1-1/4-11
7688-C-24	1-1/2-11
7688-C-32	2-11