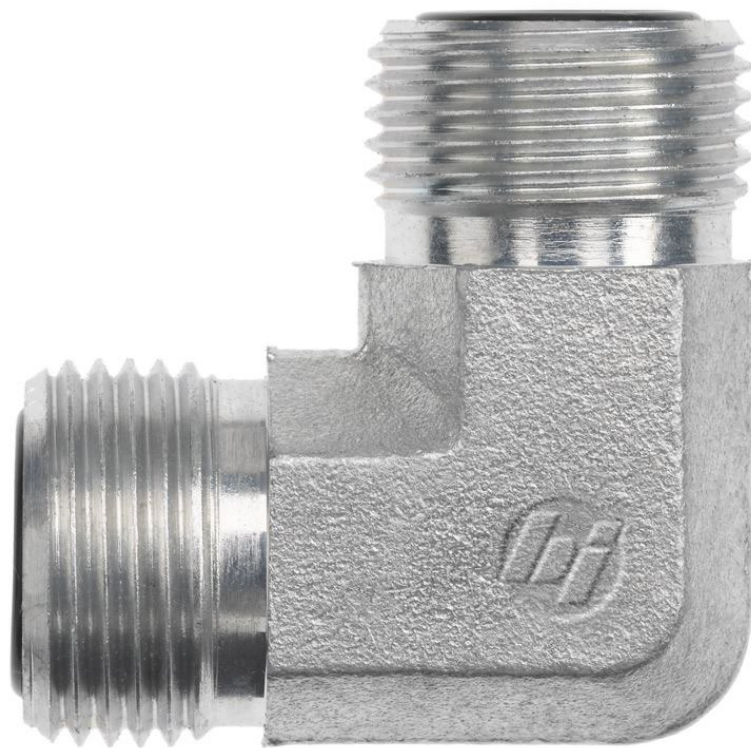




OR-8000 - (FS2500-FG)

Male x Male 90 Deg Forged Compact Elbow



BRENNAN INDUSTRIES, EXTRAORDINARY FITTINGS

In business for over 60 years, Brennan supplies more than 50,000 types of hydraulic fittings and adaptors in sizes ranging from 1/16 to 3 inches.

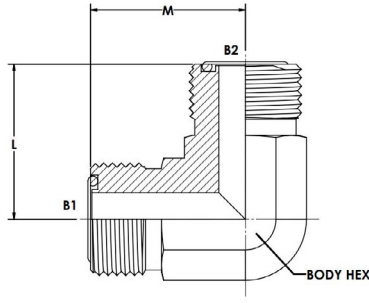
Learn More at Brennan University:

[Fittings 101](#)

[Tube Fittings Resources](#)

[Literature and Certifications](#)

Tech Data Sheet: 71363



OR-8000 - (FS2500-FG)

DESCRIPTION:

MALE X MALE 90 DEG FORGED COMPACT ELBOW

UK PART NUMBER:

OR-8000

US PART NUMBER:

FS2500-FG

| Item | A1 TUBE O.D. | A2 TUBE O.D. | A1 THREAD | A2 THREAD | A1 DRILL | A2 DRILL | M1 LGTH | M2 LGTH | JJ FLATS | Material |
|----------------------|--------------|--------------|------------|------------|----------|----------|---------|---------|----------|----------|
| OR-8000-04-04 | 1/4 | 1/4 | 9/16-18 | 9/16-18 | 0.172 | 0.172 | 0.85 | 0.85 | 0.562 | STEEL |
| OR-8000-06-06 | 3/8 | 3/8 | 11/16-16 | 11/16-16 | 0.264 | 0.264 | 0.98 | 0.98 | 0.75 | STEEL |
| OR-8000-08-08 | 1/2 | 1/2 | 13/16-16 | 13/16-16 | 0.378 | 0.378 | 1.1 | 1.1 | 0.75 | STEEL |
| OR-8000-10-10 | 5/8 | 5/8 | 1-14 | 1-14 | 0.484 | 0.484 | 1.31 | 1.31 | 1.062 | STEEL |
| OR-8000-12-08 | 3/4 | 1/2 | 1-3/16-12 | 13/16-16 | 0.609 | 0.378 | 1.47 | 1.32 | 1.188 | STEEL |
| OR-8000-12-12 | 3/4 | 3/4 | 1-3/16-12 | 1-3/16-12 | 0.609 | 0.609 | 1.47 | 1.47 | 1.188 | STEEL |
| OR-8000-16-12 | 1 | 3/4 | 1-7/16-12 | 1-3/16-12 | 0.811 | 0.609 | 1.64 | 1.62 | 1.438 | STEEL |
| OR-8000-16-16 | 1 | 1 | 1-7/16-12 | 1-7/16-12 | 0.811 | 0.811 | 1.64 | 1.64 | 1.438 | STEEL |
| OR-8000-20-16 | 1-1/4 | 1 | 1-11/16-12 | 1-7/16-12 | 1.024 | 0.807 | 1.75 | 1.75 | 1.625 | STEEL |
| OR-8000-20-20 | 1-1/4 | 1-1/4 | 1-11/16-12 | 1-11/16-12 | 1.024 | 1.024 | 1.76 | 1.76 | 1.625 | STEEL |
| OR-8000-24-20 | 1-1/2 | 1-1/4 | 2-12 | 1-11/16-12 | 1.26 | 1.024 | 1.92 | 1.92 | 1.875 | STEEL |
| OR-8000-24-24 | 1-1/2 | 1-1/2 | 2-12 | 2-12 | 1.26 | 1.26 | 1.92 | 1.92 | 1.875 | STEEL |