



TR-8701 - (7009-F)

JIC Male 37 Deg Cone x JIS Female Extended 60 Deg Internal Seat (Metric Threads)



BRENNAN INDUSTRIES, EXTRAORDINARY FITTINGS

In business for over 60 years, Brennan supplies more than 50,000 types of hydraulic fittings and adaptors in sizes ranging from 1/16 to 3 inches.

Learn More at Brennan University:

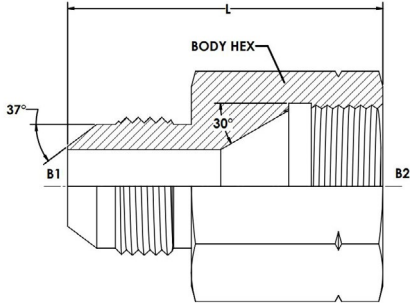
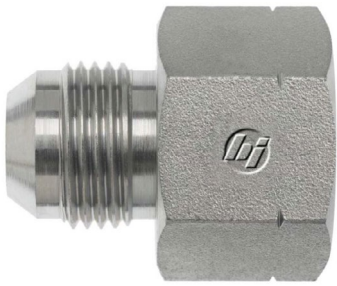
[Fittings 101](#)

[Tube Fittings Resources](#)

[Literature and Certifications](#)

Tech Data Sheet: 71390

TR-8701 - (7009-F)



DESCRIPTION:

JIC Male 37 Deg Cone x JIS
Female Extended 60 Deg Internal
Seat (Metric Threads)

UK SERIES:

TR-8701

US SERIES:

7009-F

THREAD TYPE B1:

MALE JIC SAE 37 DEGREE FLARE

THREAD SPECIFICATION B1:

SAE J514

THREAD TYPE B2:

FEMALE KOMATSU

THREAD SPECIFICATION B2:

METRIC THREAD WITH 30D
FLARE

BODY MATERIAL:

STEEL

Item	THREAD SIZE B1	THREAD DRILL B1 (MM)	THREAD SIZE B2
7009-F-04-12	7/16-20		M12X1.5
7009-F-04-14	7/16-20	4.4	M14X1.5
7009-F-06-16	9/16-18		M16X1.5
7009-F-06-18	9/16-18	7.5	M18X1.5
7009-F-08-22	3/4-16	9.9	M22X1.5
7009-F-10-24	7/8-14	12.3	M24X1.5
7009-F-12-30	1-1/16-12	15.2	M30X1.5
7009-F-16-33	1-5/16-12	21.4	M33X1.5