



37-8070 - (7205-NW0-FG-ORR)

JIC Male 37 Deg Cone x Metric Male 90 Deg Positional Forged Elbow



BRENNAN INDUSTRIES, EXTRAORDINARY FITTINGS

In business for over 60 years, Brennan supplies more than 50,000 types of hydraulic fittings and adaptors in sizes ranging from 1/16 to 3 inches.

Learn More at Brennan University:

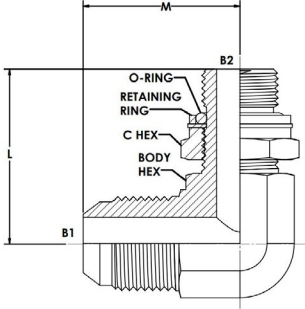
[Fittings 101](#)

[Tube Fittings Resources](#)

[Literature and Certifications](#)

Tech Data Sheet: 71407

37-8070 - (7205-NWO-FG-ORR)



DESCRIPTION:

JIC Male 37 Deg Cone x Metric
Male 90 Deg; Positional
Forged Elbow

UK SERIES:

37-8070

US SERIES:

7205-NWO-FG-ORR

THREAD TYPE B1:

MALE JIC SAE 37 DEGREE FLARE

THREAD SPECIFICATION B1:

SAE J514

THREAD TYPE B2:

MALE METRIC ADJUSTABLE ORR

THREAD SPECIFICATION B2:

O-RING AND RETAINING RING

BODY MATERIAL:

STEEL

Item	THREAD SIZE B1	THREAD DRILL B1 (MM)	THREAD SIZE B2	THREAD DRILL B2 (MM)
37-8070-04-10	7/16-20	4.4	M10X1.0	4.4
37-8070-04-12	7/16-20	4.4	M12X1.5	6.0
37-8070-04-14	7/16-20	4.4	M14X1.5	7.5
37-8070-05-10	1/2-20	6.0	M10X1.0	4.4
37-8070-05-12	1/2-20	6.0	M12X1.5	6.0
37-8070-05-14	1/2-20	6.0	M14X1.5	7.5
37-8070-06-12	9/16-18	7.5	M12X1.5	6.0
37-8070-06-14	9/16-18	7.5	M14X1.5	7.5
37-8070-06-16	9/16-18	7.5	M16X1.5	9.0
37-8070-06-18	9/16-18	7.5	M18X1.5	11.0
37-8070-06-22	9/16-18	7.5	M22X1.5	14.0
37-8070-08-14	3/4-16		M14X1.5	
37-8070-08-16	3/4-16	9.9	M16X1.5	9.0
37-8070-08-18	3/4-16	9.9	M18X1.5	11.0
37-8070-08-20	3/4-16	9.9	M20X1.5	13.0
37-8070-08-22	3/4-16	9.9	M22X1.5	14.0
37-8070-10-18	7/8-14	12.3	M18X1.5	11.0
37-8070-10-20	7/8-14	12.3	M20X1.5	13.0
37-8070-10-22	7/8-14	12.3	M22X1.5	14.0
37-8070-10-26	7/8-14	12.3	M26X1.5	18.0
37-8070-10-27	7/8-14	12.3	M27X2.0	18.0
37-8070-12-22	1-1/16-12	15.5	M22X1.5	14.0
37-8070-12-26	1-1/16-12	15.5	M26X1.5	18.0
37-8070-12-27	1-1/16-12	15.5	M27X2.0	18.0
37-8070-12-33	1-1/16-12	15.5	M33X2.0	23.0
37-8070-16-26	1-5/16-12	21.4	M26X1.5	18.0
37-8070-16-27	1-5/16-12	21.4	M27X2.0	18.0
37-8070-16-30	1-5/16-12	21.4	M30X2.0	20.0
37-8070-16-33	1-5/16-12	21.4	M33X2.0	23.0
37-8070-20-42	1-5/8-12	27.4	M42X2.0	24.7
37-8070-24-48	1-7/8-12	33.3	M48X2.0	32.0