



37-8031 - (7222-FG)

BSPB Male 60 Deg Cone x JIC Swivel Female 37 Deg Cone 90 Deg Compact Elbow



BRENNAN INDUSTRIES, EXTRAORDINARY FITTINGS

In business for over 60 years, Brennan supplies more than 50,000 types of hydraulic fittings and adaptors in sizes ranging from 1/16 to 3 inches.

Learn More at Brennan University:

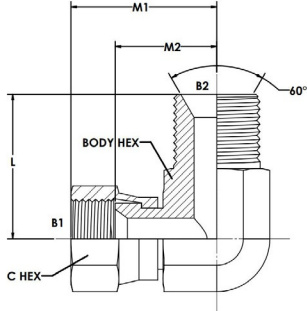
[Fittings 101](#)

[Tube Fittings Resources](#)

[Literature and Certifications](#)

Tech Data Sheet: 71410

37-8031 - (7222-FG)



DESCRIPTION:

BSPP Male 60 Deg Cone x JIC Swivel Female 37 Deg Cone 90 Deg Compact Elbow

UK SERIES:

37-8031

US SERIES:

7222-FG

THREAD TYPE B1:

FEMALE JIC SWIVEL 37 DEG FLARE

THREAD SPECIFICATION B1:

SAE J514

THREAD TYPE B2:

MALE BSPP WITH 60 DEGREE SEAT

THREAD SPECIFICATION B2:

60 DEG SEAT SWIVEL CONNECTION

BODY MATERIAL:

STEEL

Item	THREAD SIZE B1	THREAD DRILL B1 (MM)	THREAD SIZE B2	THREAD DRILL B2 (MM)	THREAD SPECIFICATION B2	THREAD SPECIFICATION B2
37-8031-04-04	7/16-20	4.4	1/4-19	7.5	ISO 8434-6	BS 5200
37-8031-04-06	9/16-18		1/4-19		ISO 8434-6	BS 5200
37-8031-06-06	9/16-18	7.5	3/8-19	9.5	ISO 8434-6	BS 5200
37-8031-08-06	9/16-18	7.5	1/2-14	12.3	ISO 8434-6	BS 5200
37-8031-06-08	3/4-16	9.9	3/8-19	9.5	ISO 8434-6	BS 5200
37-8031-08-08	3/4-16	9.9	1/2-14	12.3	ISO 8434-6	BS 5200
37-8031-10-08	3/4-16	9.9	5/8-14	12.0	ISO 8434-6	BS 5200
37-8031-08-10	7/8-14	12.3	1/2-14	12.3	ISO 8434-6	BS 5200
37-8031-10-10	7/8-14		5/8-14		ISO 8434-6	BS 5200
37-8031-12-12	1-1/16-12	15.5	3/4-14	15.5	ISO 8434-6	BS 5200