



37-5000 - (2650-FG)

Male JIC Cross



BRENNAN INDUSTRIES, EXTRAORDINARY FITTINGS

In business for over 60 years, Brennan supplies more than 50,000 types of hydraulic fittings and adaptors in sizes ranging from 1/16 to 3 inches.

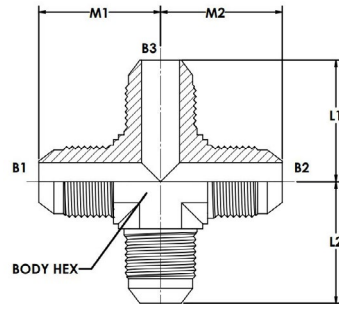
Learn More at Brennan University:

[Fittings 101](#)

[Tube Fittings Resources](#)

[Literature and Certifications](#)

[Tech Data Sheet:](#)



37-5000 - (2650-FG)

DESCRIPTION:
MALE JIC CROSS

UK PART NUMBER:
37-5000

US PART NUMBER:
2650-FG

Item	TUBE O.D.	B1 SAE 37 Deg	B2 SAE 37 Deg	B3 SAE 37 Deg	B4 SAE 37 Deg	B1 DRILL	B2 DRILL	B3 DRILL	B4 DRILL	M1 LGTH	M2 LGTH
37-5000-02-02-02-02	1/8	5/16-24	5/16-24	5/16-24	5/16-24	0.062	0.062	0.062	0.062	0.77	0.77
37-5000-04-04-04-04	1/4	7/16-20	7/16-20	7/16-20	7/16-20	0.172	0.172	0.172	0.172	0.89	0.89
37-5000-05-05-05-05	5/16	1/2-20	1/2-20	1/2-20	1/2-20	0.234	0.234	0.234	0.234	0.950	0.950
37-5000-06-06-06-06	3/8	9/16-18	9/16-18	9/16-18	9/16-18	0.297	0.297	0.297	0.297	1.06	1.06
37-5000-08-08-08-08	1/2	3/4-16	3/4-16	3/4-16	3/4-16	0.391	0.391	0.391	0.391	1.25	1.25
37-5000-10-10-10-10	5/8	7/8-14	7/8-14	7/8-14	7/8-14	0.484	0.484	0.484	0.484	1.45	1.45
37-5000-12-12-12-12	3/4	1-1/16-12	1-1/16-12	1-1/16-12	1-1/16-12	0.609	0.609	0.609	0.609	1.660	1.660
37-5000-16-16-16-16	1	1-5/16-12	1-5/16-12	1-5/16-12	1-5/16-12	0.844	0.844	0.844	0.844	1.81	1.81
37-5000-20-20-20-20	1-1/4	1-5/8-12	1-5/8-12	1-5/8-12	1-5/8-12	1.078	1.078	1.078	1.078	2.06	2.06
37-5000-24-24-24-24	1-1/2	1-7/8-12	1-7/8-12	1-7/8-12	1-7/8-12	1.312	1.312	1.312	1.312	2.33	2.33
37-5000-32-32-32-32	2	2-1/2-12	2-1/2-12	2-1/2-12	2-1/2-12	1.781	1.781	1.781	1.781	3.06	3.06



37-4020 - (2700-LN)

JIC Male x JIC Male Bulkhead 37 Deg Cone c/w Locknut



BRENNAN INDUSTRIES, EXTRAORDINARY FITTINGS

In business for over 60 years, Brennan supplies more than 50,000 types of hydraulic fittings and adaptors in sizes ranging from 1/16 to 3 inches.

Learn More at Brennan University:

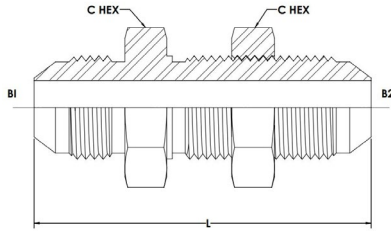
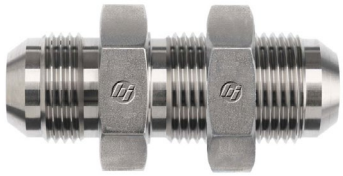
[Fittings 101](#)

[Tube Fittings Resources](#)

[Literature and Certifications](#)

Tech Data Sheet: 71419

37-4020 - (2700-LN)



DESCRIPTION:

JIC MALE X JIC MALE BULKHEAD 37 DEG
CONE C/W LOCKNUT

UK PART NUMBER:

37-4020

US PART NUMBER:

2700-LN

Item	TUBE O.D.	B1 SAE 37 Deg	B2 SAE 37 Deg	B1 DRILL	B2 DRILL	L LGTH	C HEX	Material	LOCKNUT ASSEMBLED
37-4020-02-02	1/8	5/16-24	5/16-24	0.062	0.062	1.87	0.562	STEEL	0306-02
37-4020-03-03	3/16	3/8-24	3/8-24	0.125	0.125	1.90	0.625	STEEL	0306-03
37-4020-04-04	1/4	7/16-20	7/16-20	0.172	0.172	2.07	.688	STEEL	0306-04
37-4020-04-06	1/4	7/16-20	9/16-18	0.172	0.297	2.170	0.812	STEEL	0306-06
37-4020-05-05	5/16	1/2-20	1/2-20	0.234	0.234	2.07	0.750	STEEL	0306-05
37-4020-06-04	3/8	9/16-18	7/16-20	0.297	0.172	2.100	0.812	STEEL	0306-04
37-4020-06-06	3/8	9/16-18	9/16-18	0.297	0.297	2.18	0.812	STEEL	0306-06
37-4020-08-08	1/2	3/4-16	3/4-16	0.391	0.391	2.44	1.000	STEEL	0306-08
37-4020-10-08	7/8	7/8-14	3/4-16	0.391	0.391	2.559	0.938	STEEL	0306-08-SPL
37-4020-10-10	5/8	7/8-14	7/8-14	0.484	0.484	2.74	1.125	STEEL	0306-10
37-4020-12-12	3/4	1-1/16-12	1-1/16-12	0.609	0.609	3.09	1.375	STEEL	0306-12
37-4020-14-14	7/8	1-3/16-12	1-3/16-12	0.719	0.719	3.12	1.50	STEEL	0306-14
37-4020-16-12	1	1-5/16-12	1-1/16-12	0.844	0.609	3.14	1.625	STEEL	0306-12
37-4020-16-16	1	1-5/16-12	1-5/16-12	0.844	0.844	3.14	1.625	STEEL	0306-16
37-4020-20-20	1-1/4	1-5/8-12	1-5/8-12	1.078	1.078	3.31	1.875	STEEL	0306-20
37-4020-24-24	1-1/2	1-7/8-12	1-7/8-12	1.312	1.312	3.52	2.125	STEEL	0306-24
37-4020-32-32	2	2-1/2-12	2-1/2-12	1.781	1.781	4.20	2.750	STEEL	0306-32