



## 60-2006-BS - (9224-FG-BS)

BSPP Male for Bonded Seal x BSPP Swivel Female 90 Deg Compact Elbow 60 Deg Cone



### **BRENNAN INDUSTRIES, EXTRAORDINARY FITTINGS**

In business for over 60 years, Brennan supplies more than 50,000 types of hydraulic fittings and adaptors in sizes ranging from 1/16 to 3 inches.

#### **Learn More at Brennan University:**

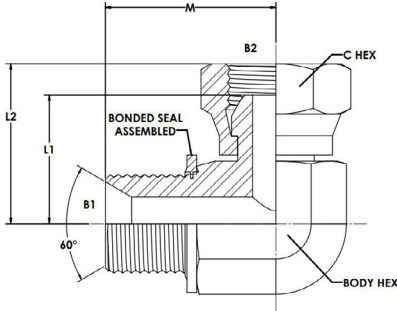
[Fittings 101](#)

[Tube Fittings Resources](#)

[Literature and Certifications](#)

**Tech Data Sheet: 71503**

# 60-2006-BS - (9224-FG-BS)



## DESCRIPTION:

BSPP Male for Bonded Seal x  
BSPP Swivel Female 90 Deg  
Compact Elbow 60 Deg Cone

## UK SERIES:

60-2006-BS

## US SERIES:

9224-FG-BS

## THREAD TYPE B1:

MALE BSPP WITH 60 DEGREE  
SEAT

## THREAD SPECIFICATION B1:

60 DEG SEAT SWIVEL  
CONNECTION

## THREAD SPECIFICATION B1:

ASSEMBLED BSPP BONDED SEAL

## BODY MATERIAL:

STEEL

Item	THREAD SIZE B1	THREAD DRILL B1 (MM)	THREAD SPECIFICATION B1	ASSEMBLED BSPP BONDED SEAL	THREAD SIZE 2	THREAD DRILL 2 (MM)	THREAD SPECIFICATION B2
60-2006-BS-02-02	1/8-28	3.5	FOR ISO 1179 PORT	9900-02	1/8-28	3.5	BS 5200
60-2006-BS-04-02	1/4-19	4.7	FOR ISO 1179 PORT	9900-04	1/8-28	3.50	BS 5200
60-2006-BS-04-04	1/4-19	7.0	FOR ISO 1179 PORT	9900-04	1/4-19	4.0	BS 5200
60-2006-BS-06-04	3/8-19	7.9	FOR ISO 1179 PORT	9900-06	1/4-19	4.5	BS 5200
60-2006-BS-06-06	3/8-19	9.5	FOR ISO 1179 PORT	9900-06	3/8-19	7.5	BS 5200
60-2006-BS-08-06	1/2-14		FOR ISO 1179 PORT	9900-06	3/8-19		BS 5200
60-2006-BS-08-08	1/2-14	11.5	FOR ISO 1179 PORT	9900-08	1/2-14	11.0	BS 5200
60-2006-BS-08-10	1/2-14		FOR ISO 1179 PORT	9900-08	5/8-14		BS 5200
60-2006-BS-08-12	1/2-14		FOR ISO 1179 PORT	9900-08	3/4-14	11.1	BS 5200
60-2006-BS-10-10	5/8-14	14.3	FOR ISO 1179 PORT	9900-10	5/8-14	12.0	BS 5200
60-2006-BS-10-12	5/8-14		FOR ISO 1179 PORT	9900-10	3/4-14		BS 5200
60-2006-BS-12-08	3/4-14		FOR ISO 1179 PORT	9900-12	1/2-14		BS 5200
60-2006-BS-12-12	3/4-14	16.7	FOR ISO 1179 PORT	9900-12	3/4-14	16.7	BS 5200
60-2006-BS-12-16	3/4-14		FOR ISO 1179 PORT	9900-12	1-11		BS 5200
60-2006-BS-16-16	1-11	22.0	FOR ISO 1179 PORT	9900-16	1-11	20.5	BS 5200
60-2006-BS-20-20	1-1/4-11	28.6	FOR ISO 1179 PORT	9900-20	1-1/4-11	28.6	BS 5200
60-2006-BS-24-24	1-1/2-11	33.3	FOR ISO 1179 PORT	9900-24	1-1/2-11	33.3	BS 5200
60-2006-BS-32-32	2-11	46.0	FOR ISO 1179 PORT	9900-32	2-11	43.5	BS 5200