



## 60-2006 - (9224-FG)

BSPP Male for Cone Seal x BSPP Swivel Female 90 Deg Compact Elbow 60 Deg Cone



### **BRENNAN INDUSTRIES, EXTRAORDINARY FITTINGS**

In business for over 60 years, Brennan supplies more than 50,000 types of hydraulic fittings and adaptors in sizes ranging from 1/16 to 3 inches.

#### **Learn More at Brennan University:**

[Fittings 101](#)

[Tube Fittings Resources](#)

[Literature and Certifications](#)

**Tech Data Sheet: 71504**

# 60-2006 - (9224-FG)



## DESCRIPTION:

BSPP Male for Cone Seal x BSPP Swivel Female 90 Deg Compact Elbow 60 Deg Cone

## UK SERIES:

60-2006

## US SERIES:

9224-FG

## THREAD TYPE B1:

MALE BSPP WITH 60 DEGREE SEAT

## THREAD SPECIFICATION B1:

60 DEG SEAT SWIVEL CONNECTION

## THREAD TYPE B2:

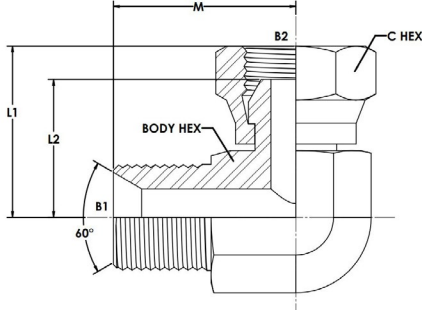
FEMALE BSPP SWIVEL

## THREAD SPECIFICATION B2:

ISO 1179

## BODY MATERIAL:

STEEL



Item	THREAD SIZE B1	THREAD DRILL B1 (MM)	THREAD SIZE B2	THREAD DRILL B2 (MM)	THREAD SPECIFICATION B2
60-2006-02-02	1/8-28	3.5	1/8-28	3.5	BS 5200
60-2006-04-02	1/4-19	4.7	1/8-28	3.5	BS 5200
60-2006-04-04	1/4-19	7.0	1/4-19	4.0	BS 5200
60-2006-04-06	1/4-19	4.7	3/8-19	7.1	BS 5200
60-2006-06-04	3/8-19	7.9	1/4-19	4.5	BS 5200
60-2006-06-06	3/8-19	9.5	3/8-19	7.5	BS 5200
60-2006-06-08	3/8-19	7.9	1/2-14	9.7	BS 5200
60-2006-08-06	1/2-14	11.1	3/8-19	7.1	BS 5200
60-2006-08-08	1/2-14	11.5	1/2-14	11.0	BS 5200
60-2006-08-10	1/2-14		5/8-14		BS 5200
60-2006-08-12	1/2-14		3/4-14	11.1	BS 5200
60-2006-10-10	5/8-14	14.3	5/8-14	12.0	BS 5200
60-2006-12-08	3/4-14		1/2-14		BS 5200
60-2006-12-10	3/4-14		5/8-14		BS 5200
60-2006-12-12	3/4-14	16.7	3/4-14	16.7	BS 5200
60-2006-12-16	3/4-14		1-11		BS 5200
60-2006-16-12	1-11		3/4-14		BS 5200
60-2006-16-16	1-11	22.0	1-11	20.5	BS 5200
60-2006-16-20	1-11		1-1/4-11		BS 5200
60-2006-20-20	1-1/4-11	28.6	1-1/4-11	28.6	BS 5200
60-2006-24-24	1-1/2-11	33.3	1-1/2-11	33.3	BS 5200
60-2006-32-32	2-11	46.0	2-11	43.5	BS 5200