



TR-9711 - (7599-P)

JIS Solid Plug 30 Deg Cone (Metric Threads)



BRENNAN INDUSTRIES, EXTRAORDINARY FITTINGS

In business for over 60 years, Brennan supplies more than 50,000 types of hydraulic fittings and adaptors in sizes ranging from 1/16 to 3 inches.

Learn More at Brennan University:

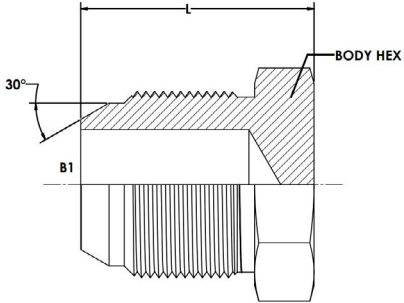
[Fittings 101](#)

[Tube Fittings Resources](#)

[Literature and Certifications](#)

Tech Data Sheet: 71560

TR-9711 - (7599-P)



DESCRIPTION:

JIS Solid Plug 30 Deg Cone
(Metric Threads)

UK SERIES:

TR-9711

US SERIES:

7599-P

THREAD TYPE B1:

MALE KOMATSU

THREAD SPECIFICATION B1:

METRIC THREAD WITH 30D
FLARE

THREAD SPECIFICATION B1:

ISO 261

BODY MATERIAL:

STEEL

Item	THREAD SIZE B1
7599-P-14	M14X1.5
7599-P-16	M16X1.5
7599-P-18	M18X1.5
7599-P-22	M22X1.5
7599-P-24	M24X1.5
7599-P-30	M30X1.5
7599-P-30-2.0	M30X2.0
7599-P-33	M33X1.5
7599-P-36	M36X1.5
7599-P-42	M42X1.5