

CONVEYORIZED TARGET SLICER APPLICATOR



MODEL #TP-2

SPECIFICATIONS

PRODUCT:

Apply Product to Pizzas, Pizza Bread, Tray Meals, Sandwiches

PORTION:

.04 - .14 Thick Slices

UTILITY REQUIREMENTS:

200 - 240 Volts, 3 Phase, 30 Amp Circuit, 50/60 Hz
Other Voltages Optional

*Transformer Required for 3 Phase Higher Than 240 Volts

DRIVE SYSTEM:

Conveyor Utilizes Precision Drive Motors
Slicing Head Utilizes Precision Servo Drive Motors

PRODUCTION RATE:

SINGLE MACHINE RATES UP TO:

6"	@	100 Pizzas Per Minute	6,000+ Per Hour
8"	@	75 Pizzas Per Minute	4,500 Per Hour
10"	@	60 Pizzas Per Minute	3,600 Per Hour
12"	@	50 Pizzas Per Minute	4,800 Per Hour
14"	@	42 Pizzas Per Minute	2,570 Per Hour
16"	@	37 Pizzas Per Minute	2,220 Per Hour

TANDEM MACHINE RATES UP TO:

6"	@	100+ Pizzas Per Minute	6,000+ Per Hour
8"	@	100+ Pizzas Per Minute	6,000+ Per Hour
10"	@	96 Pizzas Per Minute	5,760 Per Hour
12"	@	80 Pizzas Per Minute	4,800 Per Hour
14"	@	68 Pizzas Per Minute	4,080 Per Hour
16"	@	60 Pizzas Per Minute	3,600 Per Hour

OPTIONS:

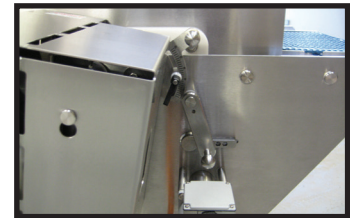
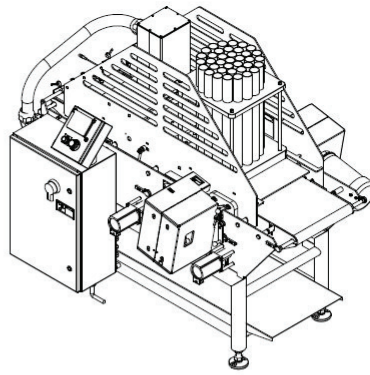
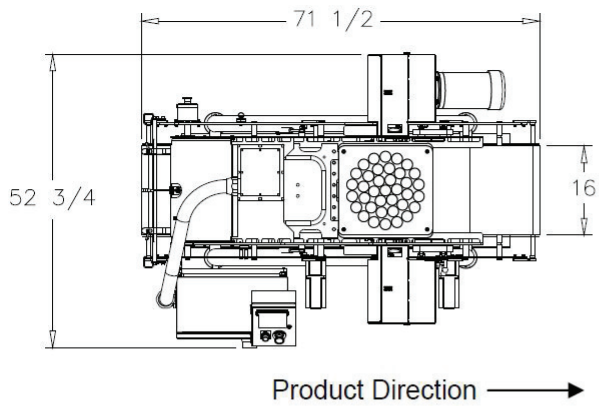
Tandem Slicing
Water Blade Lubrication
Dual Alignment System
Pepperoni Cluster Cart

FEATURES:

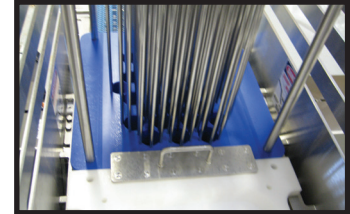
- ✓ One Pattern Cluster Included
- ✓ Custom Patterns Available
- ✓ Carriage Lock Safety
- ✓ Slice Thickness Adjustment and Carriage Release
- ✓ Gas Strut Supported Carriage
- ✓ Movable Lane Guides and Protected Photo Eye
- ✓ Easy to Remove Cluster Lock
- ✓ Washdown Capable
- ✓ Stainless Steel Enclosure
- ✓ Heavy Duty Stainless Steel Feet
- ✓ 7" Large Color Touch Screen



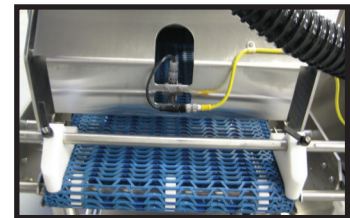
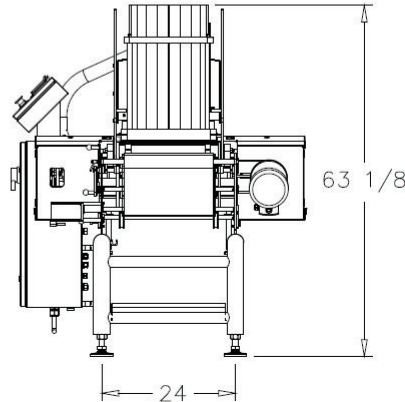
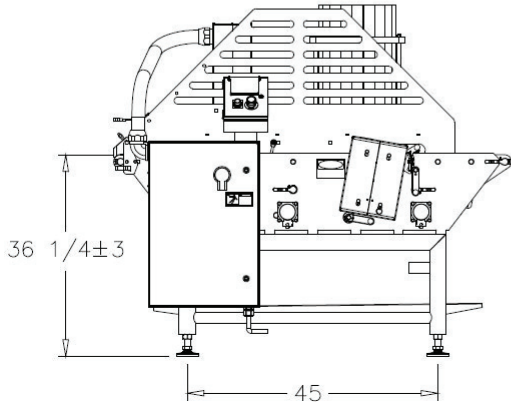
WWW.Q-T-S.COM



Slice Thickness Adjustment and Carriage Release



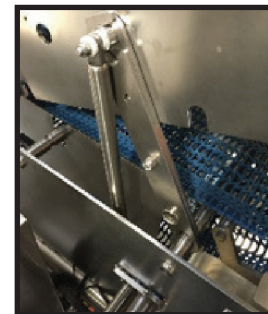
Easy To Remove Cluster Lock



Movable Lane Guides and Protected Photo Eye



Gas Strut Supported Carriage



Carriage Safety Lock



Optional Pepperoni Cluster Cart

QUANTUM MANUFACTURES HIGH SPEED AUTOMATED TOPPING EQUIPMENT. WE OFFER STANDARD PRODUCTION SYSTEMS AS WELL AS CUSTOM ENGINEERED SOLUTIONS.

CONTACT US: +1 815.464.1540

INFO@Q-T-S.COM | WWW.Q-T-S.COM