



# IQ4 - Flex™ Conveyor

Designed for Food & Packaging Industries

Metal Detection

## Product Highlights

- Modular length configurations of 60" – 72" with width configurations of 12", 16" and 20"
- Adjustable working height from 30" – 40"
- Product Registration Photo Eye (PEC)
- Variable speed operation (40'/min to 120'/min) and reverse belt capability
- Casters (lockable wheel and swivel)
- Stop on detect with alarm horn (*automatic rejects optional; air-blast or pusher*)
- PVS (Performance Validation System) with stack light and alarm
- Harsh washdown configuration, standard
- **Optional:** GFSI Compliant reject mechanism and bins with fail-safe sensors



### 7" Color Touchscreen with Engaging New User Interface

Standard across all of the IQ4 range, the big 7" touchscreen offers 33% more space than previous generation metal detectors, making operations simple



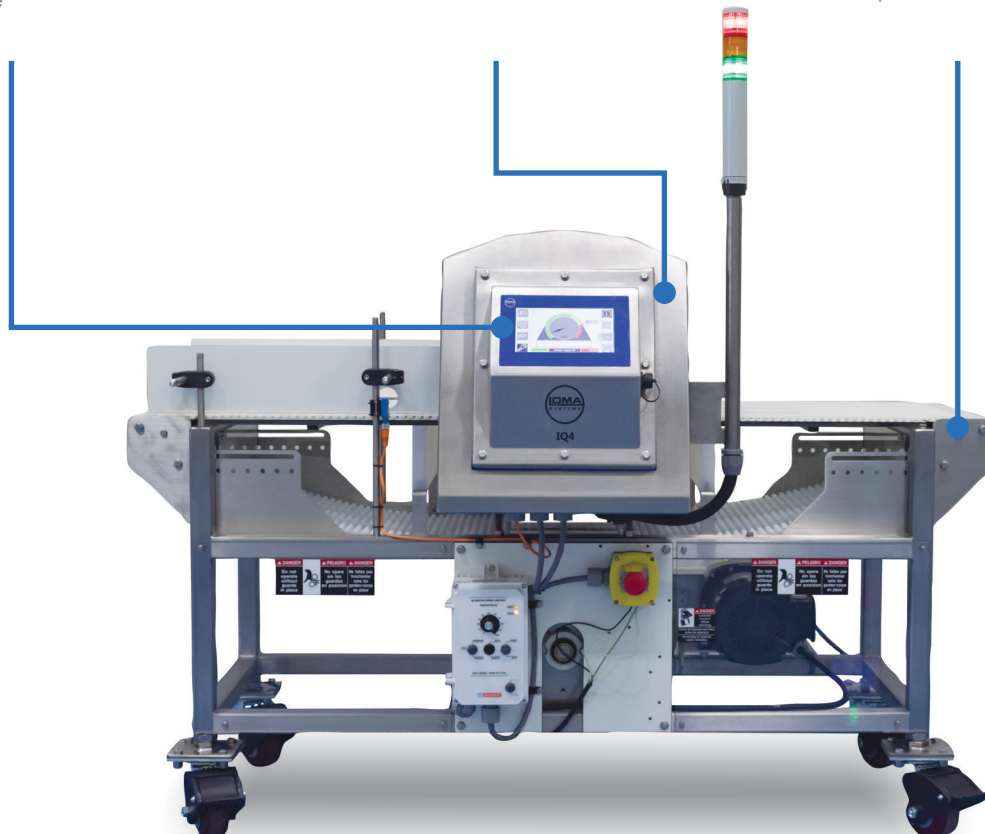
### Robust "Beyond" IP69K Rating

An improved lip, screen, and new blue sealing arrangement, combined with ultra-harsh mechanics proven from the IQ3+ range, make this one of the toughest and factory-friendly metal detectors on the market

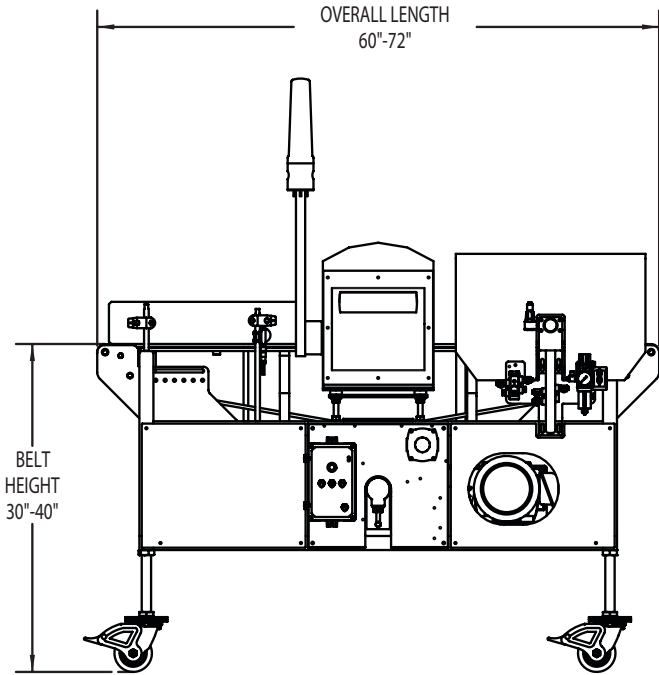


### Flexible Conveyor System

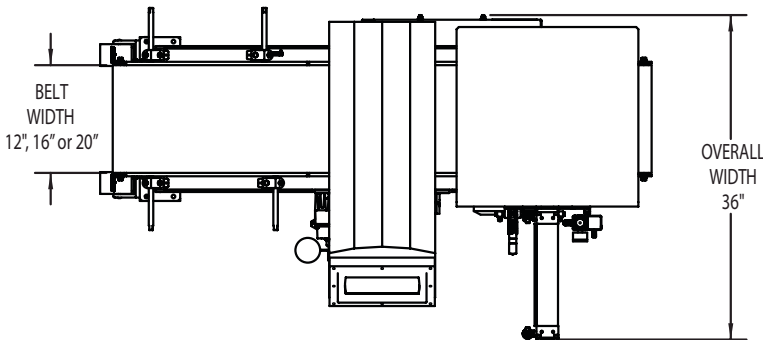
Fully adjustable conveyor system comes standard in a variety of belt speeds and lengths making operational changes hassle-free, including flow direction change with the flip of a switch



# Technical Specification



Material of Construction	304 Brushed stainless steel
Line Height	30" – 40" variable
System Length	60" to 72"
Standard Belt Width	12", 16", or 20"
Belt Type	Modular (open face)
Control Panel	Touchscreen Control
Speed	40 - 120 ft/min
IP Rating	Head: IP69k; Washdown conveyor
Power Requirements	230v or 115 1ph / N+E 50 or 60Hz
Aperatures Available (W x H)	350 mm x 150 mm 350 mm x 200 mm 350 mm x 250 mm 450 mm x 150 mm 450 mm x 200 mm 450 mm x 250 mm 550 mm x 150 mm 550 mm x 200 mm 550 mm x 250 mm

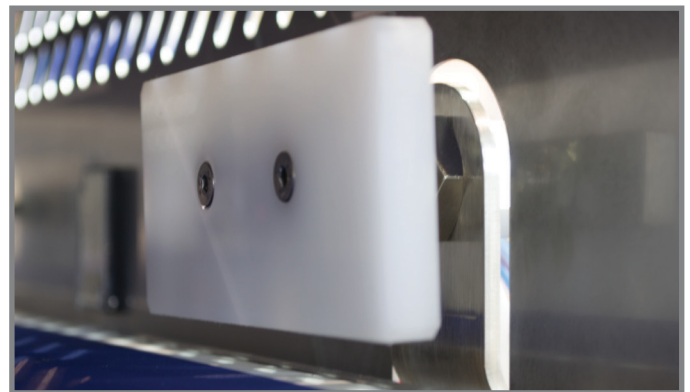


Example Model pictured shows a metal detector head on a Flex Conveyor with Pusher Reject. Overall widths may vary based on reject option selected.

## Automatic Reject Options

The IQ4 Metal Detector Flex™ Conveyor can be configured to suit a variety of different product applications. It is available in various configurations including:

- Belt-Stop / Stop On Detect
- Pusher
- Air-blast, single nozzle
- Lockable bin with reject confirmation and bin full sensors



An ITW Company

[www.loma.com](http://www.loma.com)

Tel: +44 1252 893300 (UK) | +1-800-872-LOMA (North America)

**Metal Detection | Checkweighing | X-Ray Inspection**

In association with



Loma Systems is a registered trademark of Illinois Tool Works Inc. (ITW). Other names, logos, icons and marks identifying our products and services referenced herein are trademarks of ITW and may not be used without the prior written permission of ITW. Other product and company names listed are trademarks or trade names of their respective companies. Copyright © 2017 Illinois Tool Works Inc. All rights reserved. All of the specifications shown in this document are subject to change without notice.

FLEXv2\_893201912