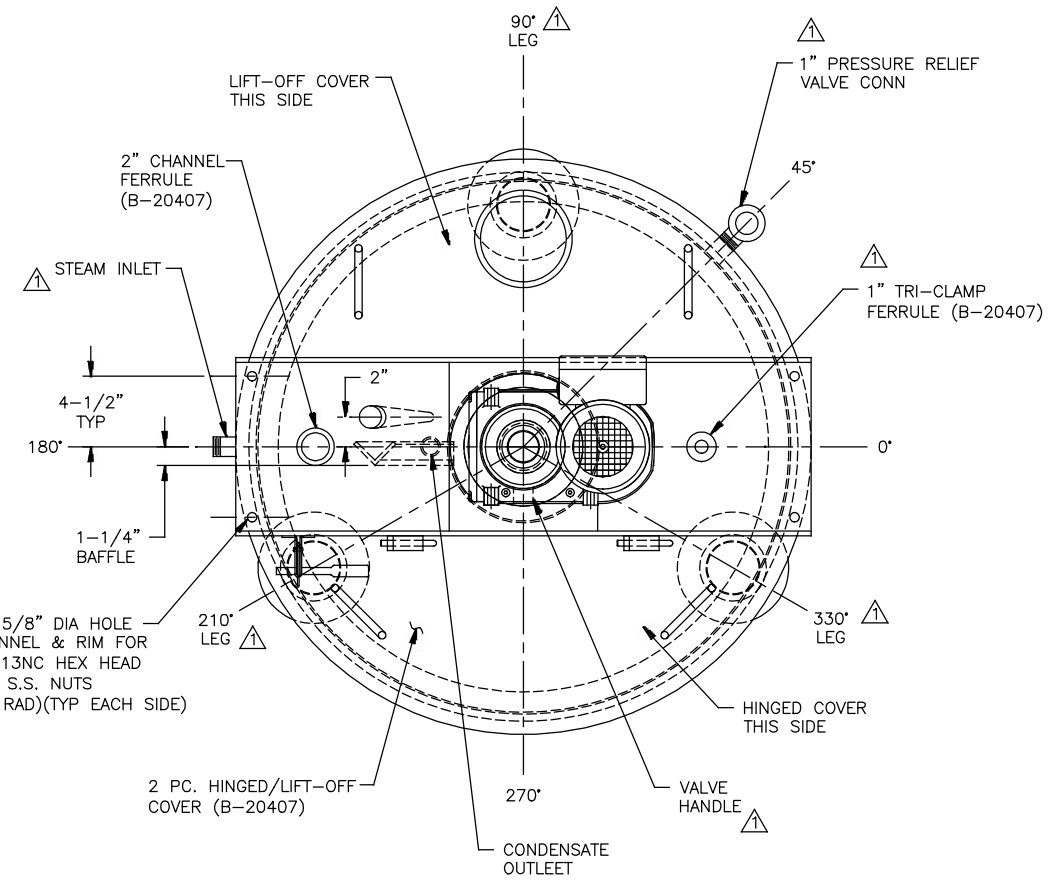


ELEVATION ONLY



TRUE ORIENTATION

- GENERAL NOTES
1. ALL MATERIAL S.S. UNLESS NOTED OTHERWISE.
 2. UNIT MUST BE BOLTED TO FLOOR BEFORE OPERATING.
 3. PRIMARY AGITATOR ASSY: B-20406

THE CORROSION RESISTANCE OF THE EQUIPMENT IS NOT THE RESPONSIBILITY OF LEE INDUSTRIES, INC. WITHOUT WRITTEN ACCEPTANCE BASED ON A SPECIFIC SERVICE.

THIS DRAWING IS THE PROPERTY OF LEE INDUSTRIES, INC. AND IS SUBJECT TO RETURN UPON REQUEST. THE INFORMATION SHOWN IS CONFIDENTIAL AND THE RECIPIENT, BY ACCEPTING THIS DRAWING, AGREES NOT TO PRINT, COPY, PHOTOGRAPH, EMAIL, DISCLOSE TO OTHERS, OR USE FOR ANY OTHER PURPOSE WITHOUT THE WRITTEN AUTHORIZATION OF LEE INDUSTRIES, INC.

COPYRIGHT © 2013 LEE INDUSTRIES, INC.



TITLE: 100 GALLON STYLE "D7S" KETTLE

DRAWING NO.: C-11420 REV NO.: 2

LEE SERIAL NO.: 79773-1 (1,2) DATE: 4-30-13
 DRAWN BY: BORDACK APPROVED BY: JEB
 DWG SCALE: NONE PLOT SCALE: 1=8

REVISION NO.	DESCRIPTION	DATE/REV. BY
8-16-13	BAFFLE WAS CALLED OUT AS REMOVABLE	JEB/TMK
5-16-13	REVISED PER APPROVAL	JEB/TMK