

ULTRAVAC® 2100

DOUBLE CHAMBER VACUUM PACKAGING MACHINE

- **Increase Production Efficiencies**
- **Minimize Rework • Extend Shelf Life**
- **Improve Package Quality**



With more than 3,000 machines in use, the Ultravac 2100 is the best selling American made vacuum chamber machine. It offers unrestricted packaging flexibility and delivers a host of value added benefits:

- **Extending shelf life of fresh product.** Vacuum packaging keeps products fresh and eliminates freezer burn.
- **Consistent, trouble free, quality retail packaging,** package after package. Pozi Pressure® radius surface sealing forces moisture and contaminants out of the seal area for a clean leak resistant package. (See illustration on reverse side.)
- **Greater volume per cycle.** Up to 15,000 4"x6" packages per eight hour shift with Ultravac 2100's large chamber area.

- **Two year warranty.** Clear proof of performance tested, trouble free operation.
- **Reduced loading time.** Optional UltraSource patented precut knife system allows operator to extend pouches beyond the edge of the chamber for perfect bag/pouch trimming.
- **Strong, durable, die cast aluminum.** All major chamber components of the Ultravac 2100 are solid cast aluminum and last through cycle after cycle.
- **A solution for troublesome applications.** Virtually eliminate leakers and reworks with optional 10mm wide band seal.
- **Modified atmosphere packaging** Optional gas flush operation is available on all Ultravac 2100 machines.
- **Readily available parts and service.** Same day shipping available on all parts.

Whether it's meat, poultry, cheese, fish, seafood, or produce that you need to preserve, the Ultravac 2100 is the most dependable, simple to own, simple to operate, double chamber vacuum packaging machine available in the marketplace.



Contact us at:

UltraSource LLC
1414 West 29th Street
Kansas City, MO 64108-3604 USA

800.777.5624

Telephone: 816.753.2150
Fax: 816.753.4976
info@UltraSourceUSA.com
UltraSourceUSA.com



UltraSource®

© Copyright 2014 UltraSource LLC

Think UltraSource First.

ULTRAVAC® 2100

DOUBLE CHAMBER VACUUM PACKAGING MACHINE

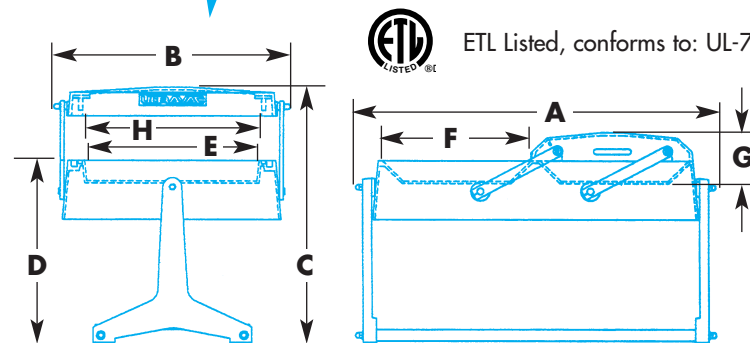
The cost effective American made Ultravac 2100



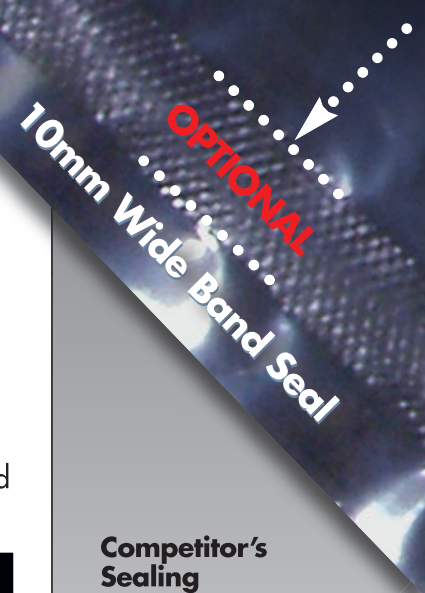
The Ultravac 2100 is available in two different sizes, 8" or 12" chamber depths, and several pump and chamber configurations to meet your specific production needs.

All machines are equipped with air cooled rugged vacuum pumps. The 8" model is available with a 7.5, 10, or 12-hp pump. For larger sized products like hams, turkeys, large primal cuts, or cheese blocks, the 12" chamber depth is recommended and comes equipped with a 10-hp or 12-hp pump.

Specifications		8" Model	12" Model
Length	A	64.5" (1638.3mm)	64.5" (1638.3mm)
Width	B	42" (1066.8mm)	42" (1066.8mm)
Maximum Height	C	47" (1193.8mm)	51" (1295.4mm)
Working Height	D	34.4" (873.8mm)	34.4" (873.8mm)
Seal Bar Length		26.5" (673.1mm)	26.5" (673.1mm)
Chamber Width	E	30.9" (784.9mm)	30.9" (784.9mm)
Chamber Length	F	26.6" (675.6mm)	26.6" (675.6mm)
Chamber Depth	G	8" (203.2mm)	12" (304.8mm)
Between Seal Bars	H	32" (812.8mm)	32" (812.8mm)
Vacuum Pump		7.5, 10, or 12-hp	10 or 12-hp
Electrical Available (3-phase)		208, 230, 380 460, 575V	208, 230, 380 460, 575V
Net Weight		1,100 to 1,400 lbs (varies depending on size)	1,100 to 1,400 lbs (varies depending on size)

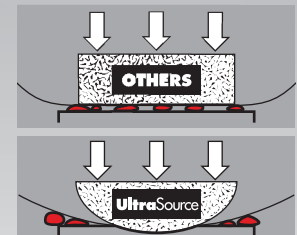


ETL Listed, conforms to: UL-73, CSA-C22.2 No. 68-92



Competitor's Sealing

Flat seal elements can leave contaminants in seal area



Pozi Pressure® Sealing

UltraSource's radius surface forces contaminants out of seal area

Since 1883, companies large and small have been looking to UltraSource for innovative solutions to their processing, packaging, and labeling equipment needs. Call one of our equipment specialists today, or visit our web site at UltraSourceUSA.com and let us help your company.

Options

- Gas flush
- Patented precut knife system
- 10mm wide band seal
- Inline vacuum filters to collect debris and/or moisture (for wet products)
- Mobile wheel kit
- Locking casters
- Herculite storage cover
- Digital control panel
 - 10 savable programs
 - Supervisor security feature
- Vacuum sensing control
- Quick stop
- Soft air pulse vent cycle control
- Seal and hold times

